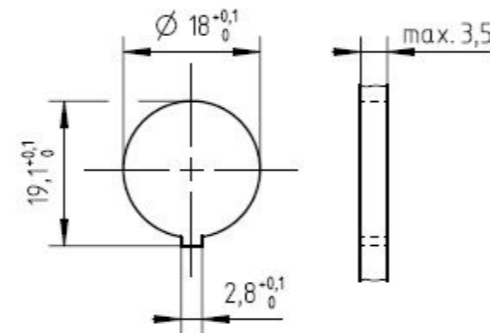


Panel cutout M1:1



Number of contacts	Standard	3	4	5	5	6	7	7	8	12	14	14	19	
Contact arrangement	IEC 61076-2-106	03-a	04-a	05-a	05-b	06-a	07-a	07-b	08-a	12-a	14-a	14-b	19-a	
Contact arrangement	IEC 60130-9 <sup>1)</sup>	yes		no		yes		no		no				
Rated voltage <sup>2)</sup>	IEC 60664-1	300 V (100 V)		300 V (63 V)		100 V (32 V)		300 V (63 V)		100 V (32 V)		150 V (32 V) 60 V (32 V)		
Rated voltage	UL 1977	250V								60V				
Rated impulse withstand voltage <sup>2)</sup>	IEC 60664-1	1500 V (1500 V)		1200 V (800 V)		1500 V (1500 V)		1200 V (800 V)						
Pollution degree <sup>2)</sup>	IEC 60664-1	1 (2)												
Installation category	IEC 60664-1	I												
Insulation group	IEC 60664-1	II, 400 ≤ CTI < 600												
Current rating	IEC 60512-5-2 UL 1977	10A/+40°C			7A/+40°C						3A/+40°C			
Insulation resistance	IEC 60512-3-1	>10 <sup>10</sup> Ohm <sup>3)</sup>												
Contact resistance	IEC 60512-2-1	<5mOhm												
Climatic category	IEC 60668-1	40 / 100 / 56												
Temperatur range	IEC 60668-1	-40°C...+100°C / -40°F...+212°F												
IP degree	IEC 60529	IP 40												
Insertion and withdrawal force	IEC 60512-13-2	25N	30N	35N	35N	50N	55N	55N	60N	50N	50N	50N	60N	
mechanical operation	IEC 60512-9-1	Silver ≥500 mating cycles / Gold ≥1000 mating cycles												
housing material		brass and / or zinc die cast, nickel plated or thermoplast												
dielectric material		thermoplastic												
contacts		silver or gold plated												
termination technique		solder												
wire gauge		≤0,5mm <sup>2</sup> / 20 AWG						≤0,35mm <sup>2</sup> / 22 AWG						
flamability		UL 94 VO												
locking system		bayonet												

	19 (19-a)	T 3687 100 U	T 3687 118 U
	14 (14-b)	T 3667 100 U	T 3667 118 U
	14 (14-a)	T 3647 100 U	T 3647 118 U
	12 (12-a)	T 3627 100 U	T 3627 118 U
	8 (08-a)	T 3527 100 U	T 3527 118 U
	7 (07-b)	T 3447 100 U	T 3447 118 U
	7 (07-a)	T 3437 100 U	T 3437 118 U
	6 (06-a)	T 3427 100 U	T 3427 118 U
	5 (05-b)	T 3397 100 U	T 3397 118 U
	5 (05-a)	T 3377 100 U	T 3377 118 U
	4 (04-a)	T 3327 100 U	T 3327 118 U
	3 (03-a)	T 3277 100 U	T 3277 118 U

Contact arrangement View on mating side	Number of contacts (Contact arrangement acc. IEC 61076-2-106)	Part number-Ag	Part number-Au
--------------------------------------------	------------------------------------------------------------------	----------------	----------------

Gewicht (errechnet) / Calc WT: 0,014 kg	Zul. Abw./Tolerances:	Maßstab / Scale: 2:1;1:1	A3
Prüfmaß / Testdimension	ISO 2768-c	CUSTOMER DRAWING	
Teileindex / Partindexnumber:	Gez. 28.10.2020	Female receptacle rear mounting	
Bagatelle change:	Drawn MCARLE		
	Status Released		
	Gepr. 04.11.2022	M NB T 3XX7 100+118 U	
	Checked MBERTSCH		
01 202000083	03.03.2022 MCARLE	Blatt / Sheet 1	
Index Änderung / Description	Datum / Date	Name	
Ers. f. / Replacement for:		Blatt / Sheet 1 Bl.	

<sup>1)</sup> Edition 2000-05  
<sup>2)</sup> values in brackets are according to DIN EN 61076-2-106  
<sup>3)</sup> under operating conditions >10<sup>9</sup> Ohm  
 Do not connect or disconnect under load Metal housing parts shall be securely incorporated to protected ground  
 Remark for gold plated contacts:  
 In order to avoid brittle inter-metallic connections, gold plated terminals have to be tin-plated in the solder area.  
 All technical data have been measured in a laboratory environment and can be different during practical usage of the product. Any product information is for descriptive usage only and not legally binding, particularly the information does not constitute or provide any legal guaranties ("Beschaffenheitsgarantie" or "Haltbarkeitsgarantie").

Weitergabe sowie Vervielfältigung dieser Unterlage, Verwertung und Mitteilung ihres Inhalts nicht gestattet, soweit nicht ausdrücklich zugestanden. Zuwiderhandlungen verpflichten zu Schadenersatz. Alle Rechte für den Fall der Patenterteilung oder Gebrauchsmuster-Eintragung vorbehalten.

FAI2020-004054