



1 mm Contact Spacing, ZIF Type Board To FPC Connectors EFC-PM24 SERIES

■ FEATURES

- 1mm contact spacing
- No. of contacts: 4~34 pin
- Connector Height: 2.7mm (H-Type), 5.9mm (V-Type)
- Available in tube or embossed type for automatic mounting

■ SPECIFICATIONS

1.ELECTRICAL

- Voltage rating: 200VAC
- Current rating: 1.0A
- Contact resistance:
20mΩ max. (initial)
40mΩ max. (final)
- Insulation resistance: 100MΩ min.
- Operating Temp: -25 to +85°C
- Storage Temp:
-10 to 50°C (Packed Condition)
- Humidity: 90% max. (Not Dewed)

2.MECHANICAL

- Durability: Mate & Unmate with applicability for 20 times, Contact resistance: 20mΩ max. (initial), 40mΩ max. (final)
- Operating force (Slider): 0.2kgf*n (1.96N*n) max. (n: Pin)
- Cable holding force: 0.05 kgf*n (0.49N*n) min. (n: Pin)
- Contact retention force: 0.5kgf (4.9N) min.

■ MATERIALS

1.MATERIAL

- Contacts: Copper Alloy
- Insulator Housing:
High Temp. Thermoplastic
- Slide: High Temp. Thermoplastic
- Hold Down: Copper Alloy

2.PLATING

Contact:

- Nickel In All Area
- Tin over Nickel (RoHS Compliant)
- Au over Nickel (RoHS Compliant)

Hold Down:

- Nickel In All Area
- Tin over Nickel (RoHS Compliant)

■ PACKING

1.Packing method

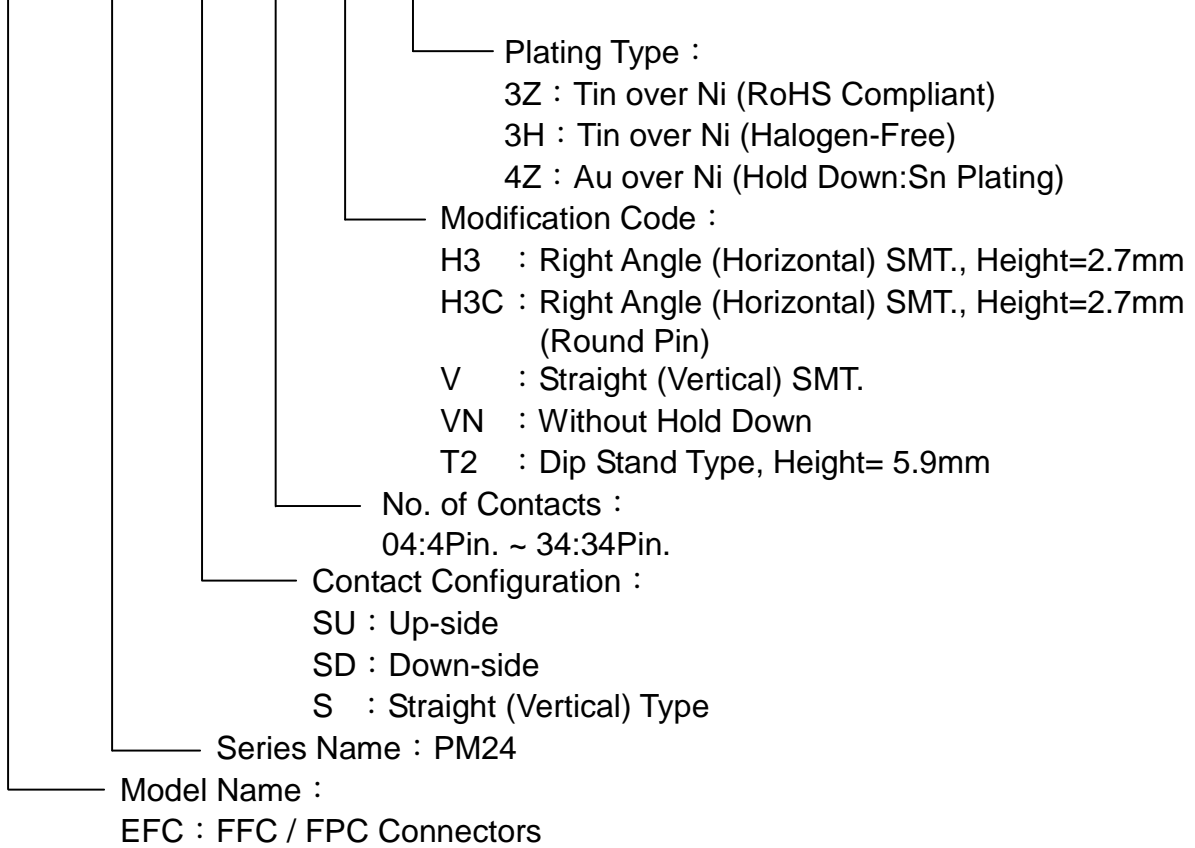
1-1.All connectors are packed in reel or tube method.

2.Information on label (stuck to each ploy bag, reel and box)

- | | | | |
|--------------|------------------|--------------|--------------|
| (1)Part NO. | (2)Section. | (3)Lot NO. | (4)Quantity. |
| (5)QC stamp. | (6)Reprocess NO. | (7)ECE mark. | |

■ PART NUMBERING SYSTEM

EFC - PM24 - SU 22 H3 - 3Z

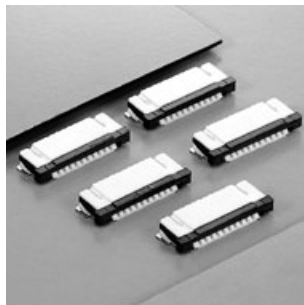


■ DIMENSIONS UNIT:mm

EFC-PM24-SU**H3



EFC-PM24-SD**H3



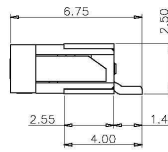
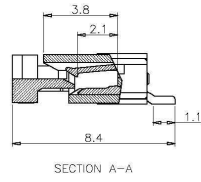
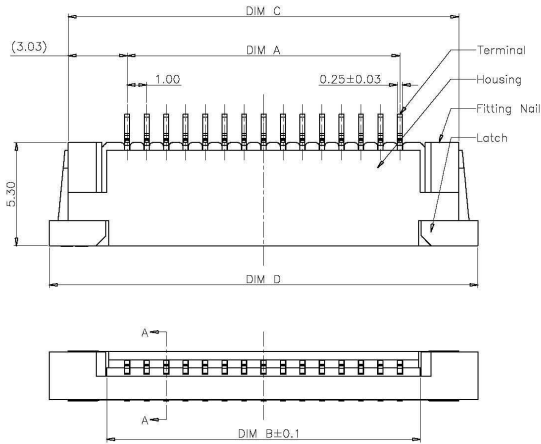
EFC-PM24-S**V



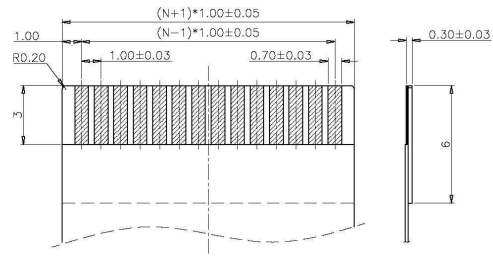
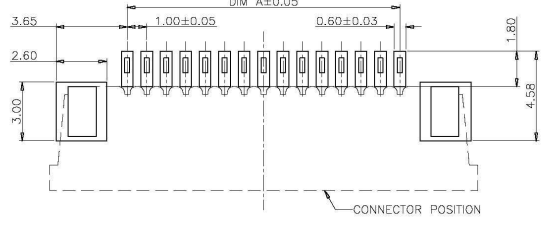
EFC-PM24-S**T2



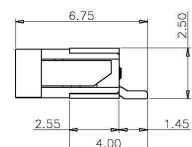
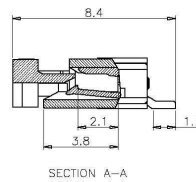
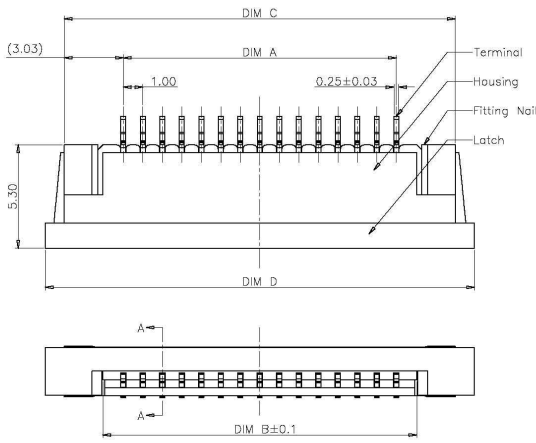
EFC-PM24-SU**H3 UNIT:mm
Connection Style:Right Angle Up side Type



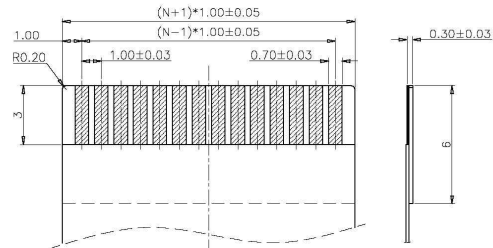
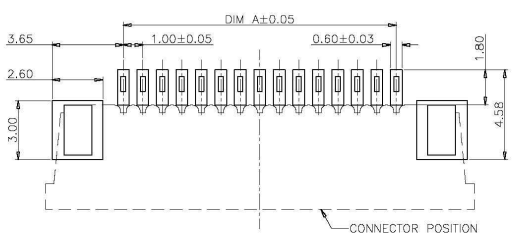
CXTS	DIM A	DIM B	DIM C	DIM D
4	3.00	5.10	9.05	11.00
5	4.00	6.10	10.05	12.00
6	5.00	7.10	11.05	13.00
7	6.00	8.10	12.05	14.00
8	7.00	9.10	13.05	15.00
9	8.00	10.10	14.05	16.00
10	9.00	11.10	15.05	17.00
11	10.00	12.10	16.05	18.00
12	11.00	13.10	17.05	19.00
13	12.00	14.10	18.05	20.00
14	13.00	15.10	19.05	21.00
15	14.00	16.10	20.05	22.00
16	15.00	17.10	21.05	23.00
17	16.00	18.10	22.05	24.00
18	17.00	19.10	23.05	25.00
19	18.00	20.10	24.05	26.00
20	19.00	21.10	25.05	27.00
21	20.00	22.10	26.05	28.00
22	21.00	23.10	27.05	29.00
23	22.00	24.10	28.05	30.00
24	23.00	25.10	29.05	31.00
25	24.00	26.10	30.05	32.00
26	25.00	27.10	31.05	33.00
27	26.00	28.10	32.05	34.00
28	27.00	29.10	33.05	35.00
29	28.00	30.10	34.05	36.00
30	29.00	31.10	35.05	37.00



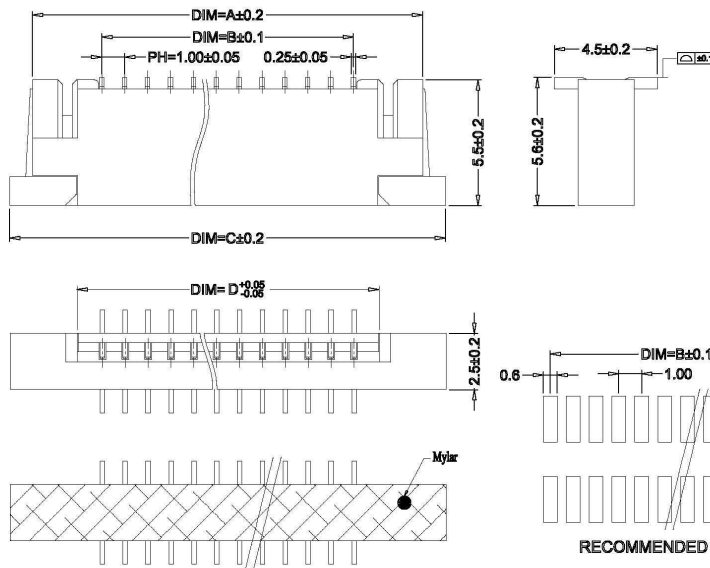
EFC-PM24-SD**H3 UNIT:mm
Connection Style:Right Angle Down side Type



CXTS	DIM A	DIM B	DIM C	DIM D
4	3.00	5.10	9.05	11.00
5	4.00	6.10	10.05	12.00
6	5.00	7.10	11.05	13.00
7	6.00	8.10	12.05	14.00
8	7.00	9.10	13.05	15.00
9	8.00	10.10	14.05	16.00
10	9.00	11.10	15.05	17.00
11	10.00	12.10	16.05	18.00
12	11.00	13.10	17.05	19.00
13	12.00	14.10	18.05	20.00
14	13.00	15.10	19.05	21.00
15	14.00	16.10	20.05	22.00
16	15.00	17.10	21.05	23.00
17	16.00	18.10	22.05	24.00
18	17.00	19.10	23.05	25.00
19	18.00	20.10	24.05	26.00
20	19.00	21.10	25.05	27.00
21	20.00	22.10	26.05	28.00
22	21.00	23.10	27.05	29.00
23	22.00	24.10	28.05	30.00
24	23.00	25.10	29.05	31.00
25	24.00	26.10	30.05	32.00
26	25.00	27.10	31.05	33.00
27	26.00	28.10	32.05	34.00
28	27.00	29.10	33.05	35.00
29	28.00	30.10	34.05	36.00
30	29.00	31.10	35.05	37.00



EFC-PM24-S**V UNIT:mm
 Connection Style: Straight (Vertical) Type



PIN NO.	A	B	C	D
30P	35.0	29.0	37.0	31.1
28P	33.0	27.0	35.0	29.1
26P	31.0	25.0	33.0	27.1
24P	29.0	23.0	31.0	25.1
22P	27.0	21.0	29.0	23.1
20P	25.0	19.0	27.0	21.1
18P	23.0	17.0	25.0	19.1
16P	21.0	15.0	23.0	17.1
14P	19.0	13.0	21.0	15.1
12P	17.0	11.0	19.0	13.1
10P	15.0	9.0	17.0	11.1
8P	13.0	7.0	15.0	9.1
6P	11.0	5.0	13.0	7.1
5P	10.0	4.0	12.0	6.1
4P	9.0	3.0	11.0	5.1

EFC-PM24-S**T2 UNIT:mm
 Connection Style: Straight Through Hole (Vertical) Type

