

1.25mm Contact Spacing, Board to Wire SMT Connectors

EBW-CK22 SERIES

■ FEATURES

- 1.25mm contact spacing.
- No. of contacts: 2~30 pin.
- Connector Height: 1.76mm, 2.1mm
- Available in embossed type for automatic mounting.

■ SPECIFICATIONS

1.ELECTRICAL

- Voltage rating: 200VAC
- Current rating: 1A
- Contact resistance: 40mΩ max. (initial), 80mΩ max. (final)
- Insulation resistance: 1000MΩ min.

2.MECHANICAL

- Durability: Mate & Unmate with applicability for 50 times, Contact resistance: 80mΩ max.
- Mating force: 0.2kgf*n (1.96N*n) max.
- Unmating force: 0.03kgf*n (0.29N*n) min.
- Retention force: Pin Header: 0.3kgf (3N) min. Socket Housing: 0.5kgf (4.9N) min.

■ MATERIALS

1.MATERIAL

- Contacts: Copper Alloy
- Socket Side Insulator Housing: High Temp. Thermoplastic
- Plug Side Insulator Housing: High Temp. Thermoplastic
- Hold Down: Copper Alloy

2.PLATING

Contact:

- Nickel In All Area
- Au over Nickel (RoHS Compliant)
- Tin & Au over Nickel (RoHS Compliant)

Hold Down:

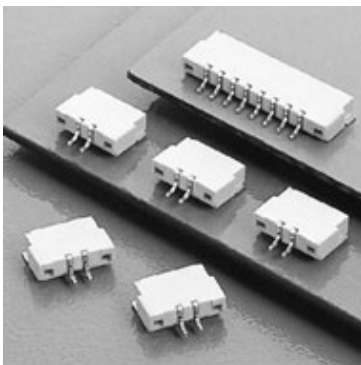
- Nickel In All Area
- Tin over Nickel (RoHS Compliant)

■ PACKING

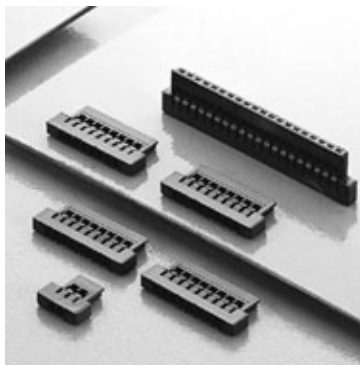
1.Packing method

- All connectors are packed in reel method.

EBW-CK22-P*H2***



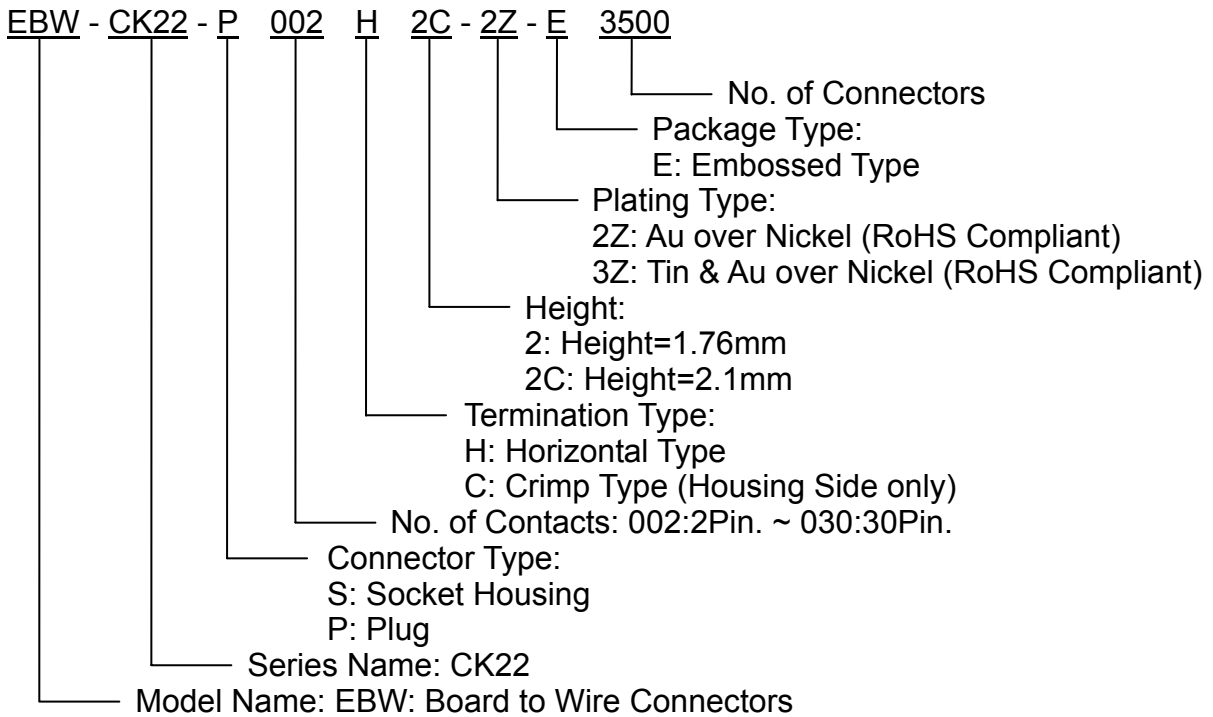
EBW-CK22-S*C3**



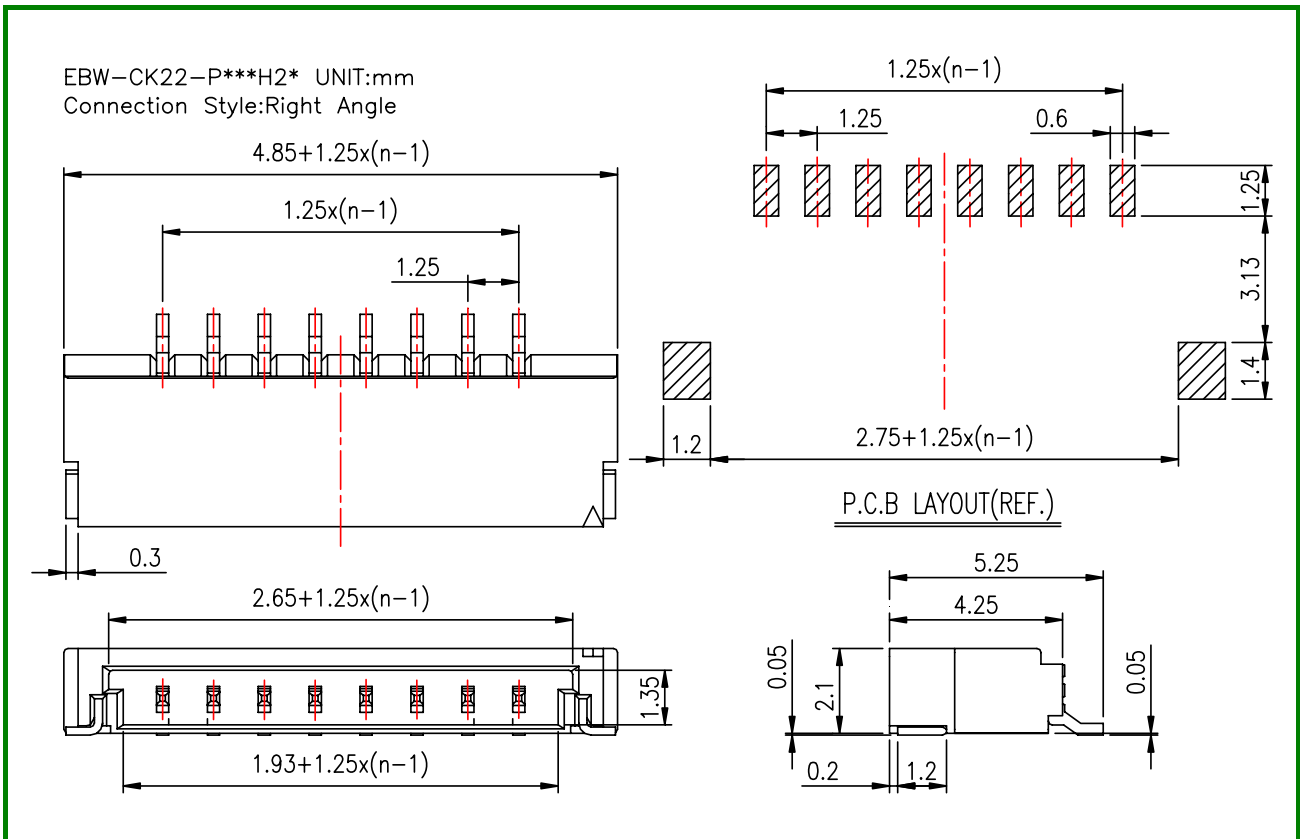
EBW-CK22-S1C3-15000



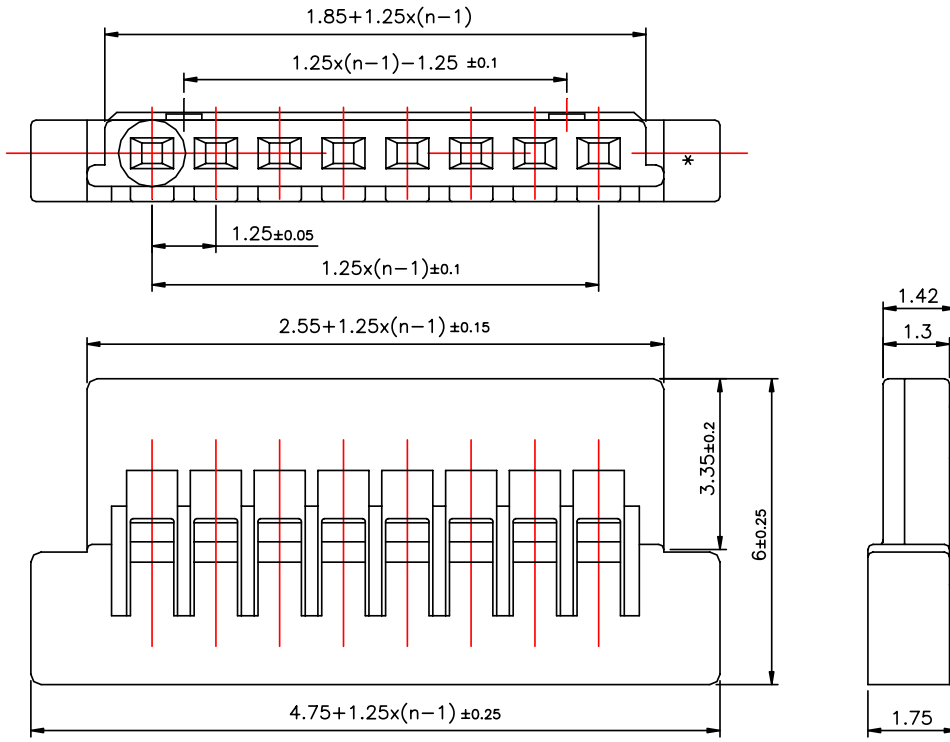
■ PART NUMBERING SYSTEM



■ DIMENSIONS UNIT:mm



EBW-CK22-S***C3 UNIT:mm
 Connection Style : Socket Housing



EBW-CK22-S1C3-15000 UNIT:mm
 Connection Style : Contacts

