

Print page



·DC· SDB9733SPT



97x95x33x(58)mm
76 CFM

DC Blower

Model No	Rated Volt VDC	Voltage Range VDC	Input Power Watt	Rated Current Amp	Ref. Speed RPM	Max.Airflow CFM	m3/min	Max.Static Pressure Inch/H2O	mm	Noise Level db(A)	PQ Curves	UL
SDB9733SPT-12JH	12	7~13.2	74.4	6.2	8200	76	2.2	8.0	203.2	73	1	✓
SDB9733SPT-12EHH	12	7~13.2	42	3.5	7000	65	1.8	5.2	132.08	69	2	✓
SDB9733SPT-12EH	12	7~13.2	33.6	2.8	6500	60	1.7	4.85	123.19	65	3	✓
SDB9733SPT-24JH	24	14~26.4	79.2	3.3	8200	76	2.2	8.0	203.2	73	1	✓
SDB9733SPT-24EHH	24	14~26.4	50.4	2.1	7000	65	1.8	5.2	132.08	69	2	✓
SDB9733SPT-24EH	24	14~26.4	42	1.75	6500	60	1.7	4.85	123.19	65	3	✓
SDB9733SPT-48JH	48	28~56	67.2	1.4	8200	76	2.2	8.0	203.2	73	1	✓
SDB9733SPT-48EHH	48	28~56	48	1.0	7000	65	1.8	5.2	132.08	69	2	✓
SDB9733SPT-48EH	48	28~56	24.96	0.52	6500	60	1.7	4.85	123.19	65	3	✓

- ** = "WB" for wire lead type Ball bearing
- Sinwan reserves the right to change data and improve electrical & mechanical design without notice, data tolerance +-10%

Motor

Motor Type:	DC Motor
Burnout Protection:	Auto Restart
IP Protection:	IP55, IP68 (Optional)

Mechanical

Frame:	Glass fiber reinforced thermoplastic, rated UL94V-0
Impeller:	Glass fiber reinforced thermoplastic, rated UL94V-0
Bearing:	Ball bearing
Rotation:	CCW seen on rotor
Connection:	Wire leads
Weight:	150g

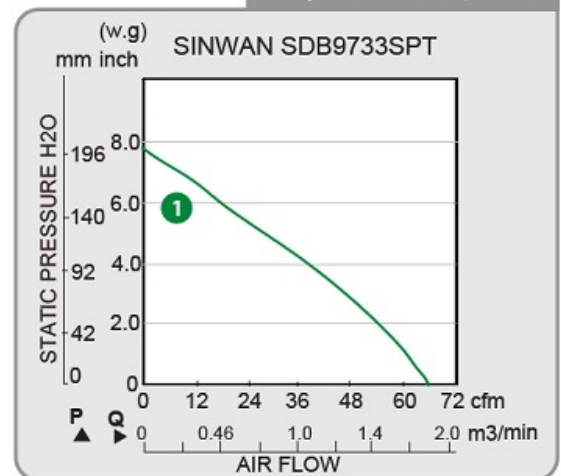
Electronical

Dielectric Strength:	500 VAC/min. Max leakage 0.5mA
Speed Control:	Optional: PWM, S/C NTC thermister on request
Signal Output:	Optional: RD Rotation Detactor, FG Frequency Generator

Environment

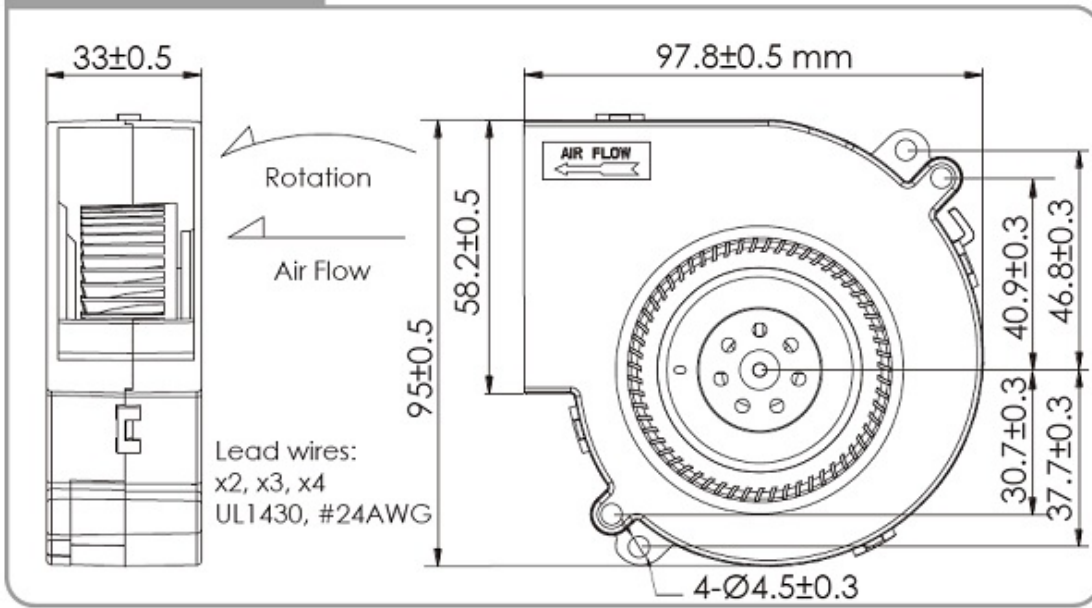
Operating Temp:	-20C~+65C
Storage Temp:	-20C~+75C (at 65%RH)
Life Expectancy:	L10 70K hours at 40C

► Performance P-Q Curves



- Nomenclature
- R/D Alarm
- FIG Tach
- S/C Function
- PWM Function

▶ Outline Dimensions



Relevant products

