

Print page



·DC· SD8032PT



**80x80x32mm / 3.1x1.25inch**

**88~40 CFM**

Plastic Impeller

Model No	Rated Volt	Voltage Range	Input Power	Rated Current	Ref. Speed	Max.Airflow		Max.Static Pressure		Noise Level	PQ Curves	UL
	VDC	VDC	Watt	Amp	RPM	CFM	m3/min	Inch/H2O	mm	db(A)		
SD8032PT-12HHH	12	7~13.2	11.4	0.95	6800	88	2.5	0.89	22.61	54	1	✓
SD8032PT-12HH	12	7~13.2	8.4	0.7	6400	83	2.4	0.79	20.07	53	2	✓
SD8032PT-12H	12	7~13.2	7.8	0.65	6000	77	2.2	0.73	18.54	50	3	✓
SD8032PT-12M	12	7~13.2	6.0	0.5	5500	71	2	0.61	15.49	48	4	✓
SD8032PT-12L	12	7~13.2	4.8	0.4	4800	62	1.8	0.45	11.43	45	5	✓
SD8032PT-12L (2L)	12	7~13.2	4.8	0.4	4200	54	1.5	0.4	10.16	40	6	✓
SD8032PT-12L (3L)	12	7~13.2	4.8	0.4	3800	48	1.4	0.33	8.38	37	8	✓
SD8032PT-12L (4L)	12	7~13.2	4.8	0.4	3400	45	1.3	0.3	7.62	33	10	✓
SD8032PT-12L (5L)	12	7~13.2	4.8	0.4	3000	40	1.1	0.26	6.6	30	12	✓
SD8032PT-24EH	24	14~26.4	12	0.5	6800	88	2.5	0.89	22.61	54	1	✓
SD8032PT-24SHH	24	14~26.4	10.8	0.45	6400	83	2.4	0.79	20.07	53	2	✓
SD8032PT-24SH	24	14~26.4	9.6	0.4	6000	77	2.2	0.73	18.54	50	3	✓
SD8032PT-24HHH	24	14~26.4	8.4	0.35	5500	71	2	0.61	15.49	48	4	✓
SD8032PT-24HH	24	14~26.4	6	0.25	4800	62	1.8	0.45	11.43	45	5	✓
SD8032PT-24H	24	14~26.4	4.8	0.2	4000	50	1.4	0.35	8.89	39	7	✓
SD8032PT-24M	24	14~26.4	4.8	0.2	3600	47	1.3	0.32	8.13	35	9	✓
SD8032PT-24L	24	14~26.4	4.8	0.2	3200	44	1.2	0.28	7.11	31	11	✓
SD8032PT-48SH	48	28~56	12	0.25	6800	88	2.5	0.89	22.61	54	1	✓
SD8032PT-48HHH	48	28~56	10.08	0.21	6000	77	2.2	0.73	18.54	50	3	✓
SD8032PT-48HH	48	28~56	9.12	0.19	4800	62	1.8	0.45	11.43	45	5	✓
SD8032PT-48H	48	28~56	5.28	0.11	4000	50	1.4	0.35	8.89	39	7	✓
SD8032PT-48M	48	28~56	4.32	0.09	3600	47	1.3	0.32	8.13	35	9	✓

- \*\* = "WB" for wire lead type Ball bearing, or "TB" for terminal type Ball bearing
- Sinwan reserves the right to change data and improve electrical & mechanical design without notice, data tolerance +-10%

**Motor**

Motor Type:	DC Motor
Burnout Protection:	Electronically protected, polarity protected
IP Protection:	IP55, IP68 (Optional)

**Mechanical**

Frame:	Glass fiber reinforced thermoplastic, rated UL94V-0
Impeller:	5 blades, glass fiber reinforced plastic, rated UL94V-0
Bearing:	Two ball bearings
Rotation:	CCW seen on rotor
Connection:	Wire lead or terminal flat pin connecting
Weight:	120g

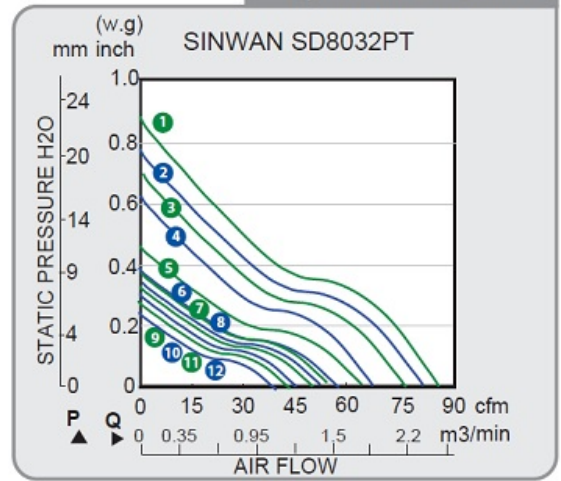
**Electronical**

Dielectric Strength: 500 VAC/min. Max leakage 0.5mA  
 Speed Control: Optional: PWM, S/C NTC thermister  
 Signal Output: Optional: RD Rotation Detactor, FG Frequency Generator

**Environment**

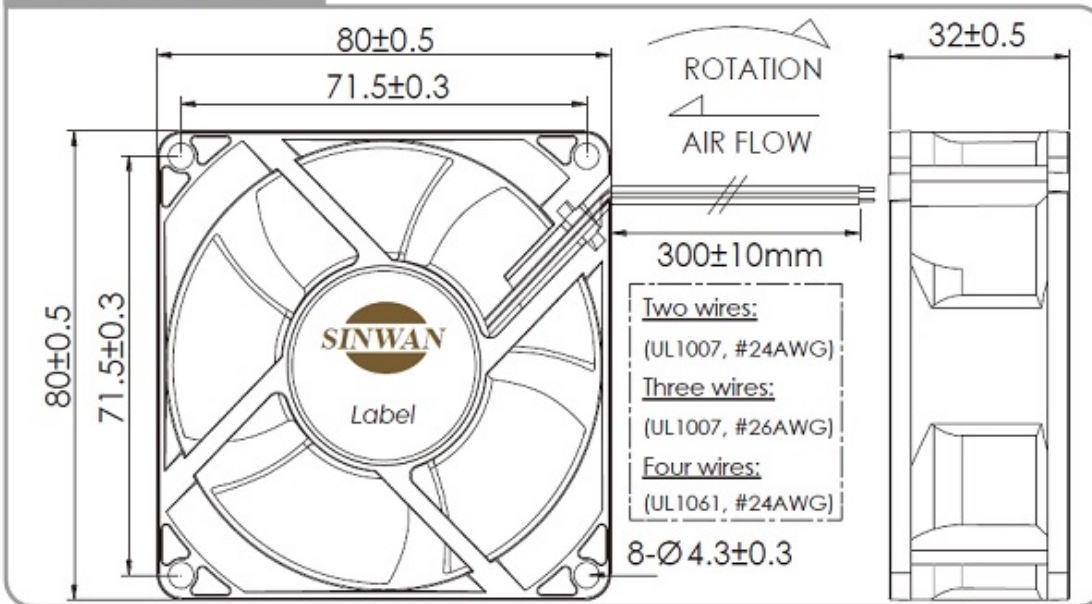
Operating Temp: -20C~+65C  
 Storage Temp: -20C~+75C (at 65%RH)  
 Life Expectancy: L10 70K hours at 40C

► Performance P-Q Curves



-   
 Nomenclature
-   
 R/D Alarm
-   
 F/G Tach
-   
 S/C Function
-   
 PWM Function

► Outline Dimensions



Relevant products

-   
 Metal Fan Guard  
 G80-18
  -   
 Plastic Fan Guard  
 G80P, G80P2, G80P2A, G80P4
  -   
 Plastic Fan Filter  
 GRM80-30, GRM80-45
  -   
 Metal Fan Screen  
 MF80S-30N
- 