

Print page



·DC· SD8020PT



# 80x80x20mm / 3.15x0.8inch

## 60~24 CFM

Plastic Impeller

Model No	Rated Volt VDC	Voltage Range VDC	Input Power Watt	Rated Current Amp	Ref. Speed RPM	Max.Airflow CFM	m3/min	Max.Static Pressure Inch/H2O	mm	Noise Level db(A)	PQ Curves	UL
SD8020PT-05H	5	4~6	1.4 (~1.8)	0.28 (~0.36)	3400	40	1.1	0.18	4.57	36	6	✓
SD8020PT-05M	5	4~6	1.0	0.20	2800	32	0.9	0.11	2.79	29	7	✓
SD8020PT-05L	5	4~7	0.8	0.15	2400	27	0.8	0.09	2.29	25	8	✓
SD8020PT-12EH	12	7~13.8	5.76	0.48	5000	60	1.7	0.26	6.6	53	1	✓
SD8020PT-12SHH	12	7~13.8	4.32	0.36	4500	53	1.5	0.24	6.1	48	2	✓
SD8020PT-12SH	12	7~13.8	3.36	0.28	4000	47	1.3	0.21	5.33	42	3	✓
SD8020PT-12HHH	12	7~13.8	3.12	0.26	3800	45	1.3	0.2	5.08	40	4	✓
SD8020PT-12HH	12	7~13.8	2.88	0.24	3600	42	1.2	0.19	4.83	38	5	✓
SD8020PT-12H	12	7~13.8	2.2	0.18	3400	40	1.1	0.18	4.57	36	6	✓
SD8020PT-12M	12	7~13.8	1.8	0.15	2800	32	0.9	0.11	2.79	29	7	✓
SD8020PT-12L	12	7~14	1.4	0.12	2400	27	0.8	0.09	2.29	25	8	✓
SD8020PT-12LL	12	7~14	0.84	0.07	2000	24	0.7	0.08	2.03	21	9	✓
SD8020PT-24H	24	12~27.6	2.9	0.12	3400	40	1.1	0.18	4.57	36	6	✓
SD8020PT-24M	24	12~27.6	2.4	0.1	2800	32	0.9	0.11	2.79	29	7	✓
SD8020PT-24L	24	12~28	2.0	0.08	2400	27	0.8	0.09	2.29	25	8	✓
SD8020PT-48H	48	24~55	3.8	0.08	3400	40	1.1	0.18	4.57	36	6	✓

- \*\* = "WB" for wire lead type Ball bearing, or "TB" for terminal type Ball bearing
- Sinwan reserves the right to change data and improve electrical & mechanical design without notice, data tolerance +-10%

**Motor**

Motor Type: Brushless DC Motor, auto cutoff auto restart optional  
 Burnout Protection: Electronically protected, polarity protected  
 IP Protection: IP55, IP56 (Optional)

**Mechanical**

Frame: Glass fiber reinforced thermoplastic, rated UL94V-0  
 Impeller: 7 blades, glass fiber reinforced plastic, rated UL94V-0  
 Bearing: Two ball bearings  
 Rotation: CCW seen on rotor  
 Connection: Wire lead or terminal flat pin connecting  
 Weight: 76g

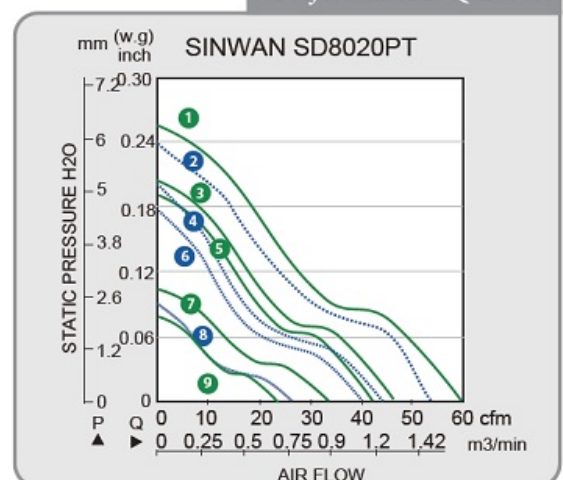
**Electrical**

Dielectric Strength: 500 VAC/min. Max leakage 0.5mA  
 Speed Control: Optional:PWM, S/C NTC thermister  
 Signal Output: Optional:RD Rotation Detactor, FG Frequency Generator

**Environment**

Operating Temp: -20C~+65C  
 Storage Temp: -20C~+75C (at 65%RH)

► Performance P-Q Curves



Life Expectancy: L10 - B:70K hours at 40C / Y:50K hours at 40C

  
Nomenclature

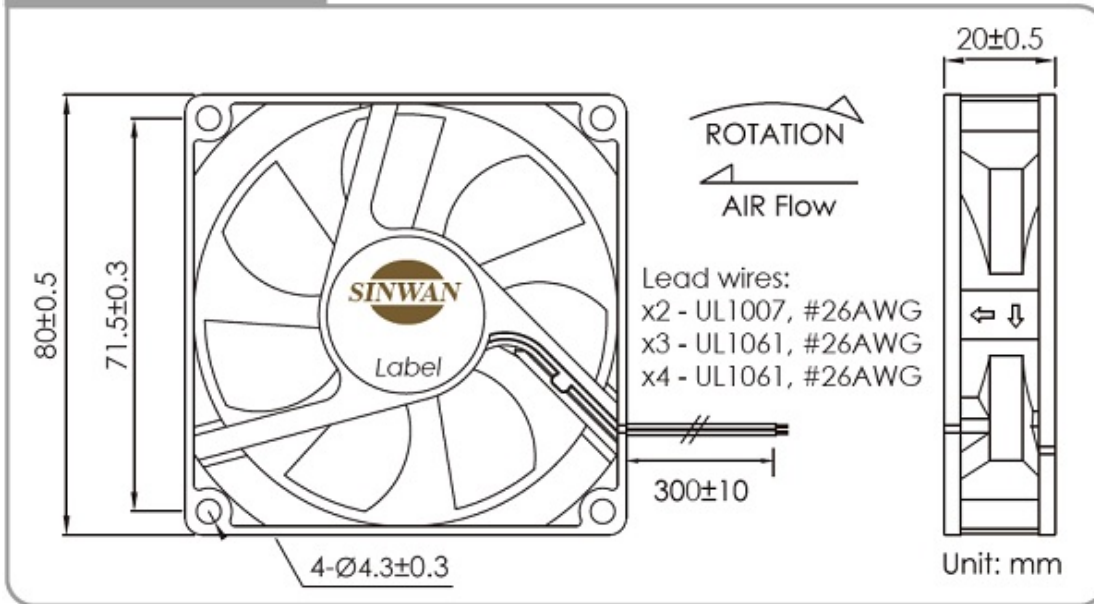
  
R/D  
Alarm

  
F/G  
Tach

  
S/C  
Function

  
PWM  
Function

### Outline Dimensions



### Relevant products



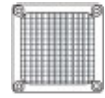
Metal Fan Guard  
G80-18



Plastic Fan Guard  
G80P, G80P2, G80P2A,  
G80P4



Plastic Fan Filter  
GRM80-30, GRM80-45



Metal Fan Screen  
MF80S-30N



RoHS

Sinwan Electric Industries Co., Ltd.

Email: [sinwanfan@sinwan.com.tw](mailto:sinwanfan@sinwan.com.tw)

TEL: 886-2-26620728

FAX: 886-2-26627019