

Print page



·DC· SD8015PT



**80x80x15mm / 3.15x0.6inch**  
**50~28 CFM**

Plastic Impeller

Model No	Rated Volt VDC	Voltage Range VDC	Input Power Watt	Rated Current Amp	Ref. Speed RPM	Max.Airflow		Max.Static Pressure		Noise Level db(A)	PQ Curves	UL
						CFM	m3/min	Inch/H2O	mm			
SD8015PT-05H	5	4~6	1.4	0.28	3600	39	1.1	0.16	4.06	38	4	✓
SD8015PT-05M	5	4~7	1.0	0.20	3100	33	0.9	0.12	3.05	34	5	✓
SD8015PT-05L	5	4~7	0.8	0.15	2700	28	0.8	0.09	2.29	31	6	✓
SD8015PT-12H	12	8~13.8	2.2	0.18	3600	39	1.1	0.16	4.06	38	4	✓
SD8015PT-12M	12	8~13.8	1.8	0.15	3100	33	0.9	0.12	3.05	34	5	✓
SD8015PT-12L	12	8~14	1.4	0.12	2700	28	0.8	0.09	2.29	31	6	✓
SD8015PT-24SH	24	12~27.6	6.0	0.25	4500	50	1.4	0.2	5.08	48	1	✓
SD8015PT-24HHH	24	12~27.6	4.8	0.2	4000	43	1.2	0.18	4.57	42	2	✓
SD8015PT-24HH	24	12~27.6	3.6	0.15	3800	41	1.2	0.17	4.32	40	3	✓
SD8015PT-24H	24	12~27.6	2.9	0.12	3600	39	1.1	0.16	4.06	38	4	✓
SD8015PT-24M	24	12~27.6	2.4	0.1	3100	33	0.9	0.12	3.05	34	5	✓
SD8015PT-24L	24	12~28	2.0	0.08	2700	28	0.8	0.09	2.29	31	6	✓

- \*\* = "WB" for wire lead type Ball bearing, or "TB" for terminal type Ball bearing
- Sinwan reserves the right to change data and improve electrical & mechanical design without notice, data tolerance +-10%

#### Motor

Motor Type: Brushless DC Motor, auto cutoff auto restart optional  
Burnout Protection: Electronically protected, polarity protected  
IP Protection: IP55, IP56 (Optional)

#### Mechanical

Frame: Glass fiber reinforced thermoplastic, rated UL94V-0  
Impeller: 9 blades, glass fiber reinforced plastic, rated UL94V-0  
Bearing: Two ball bearings  
Rotation: CCW seen on rotor  
Connection: Wire lead or terminal flat pin connecting  
Weight: 40g

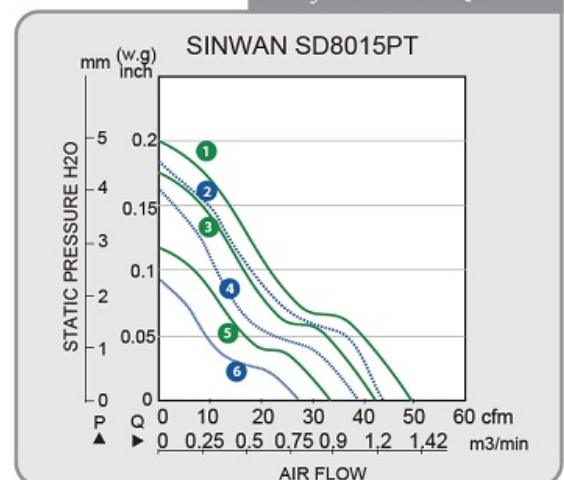
#### Electronical

Dielectric Strength: 500 VAC/min. Max leakage 0.5mA  
Speed Control: Optional:PWM, S/C NTC thermister  
Signal Output: Optional:RD Rotation Detactor, FG Frequency Generator

#### Environment

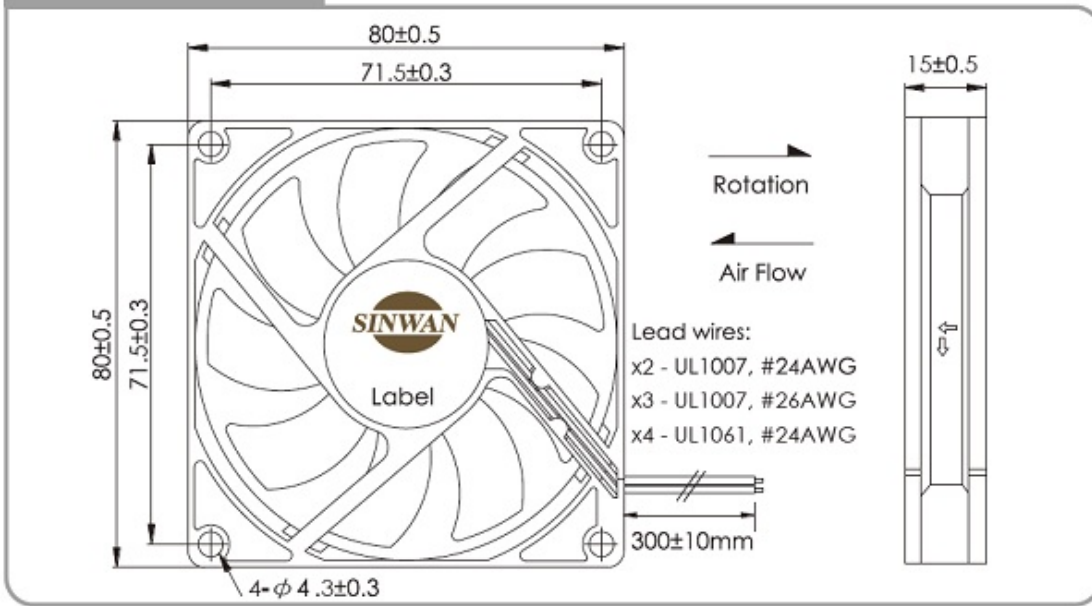
Operating Temp: -20C~+65C  
Storage Temp: -20C~+75C (at 65%RH)  
Life Expectancy: L10 - B:70K hours at 40C / Y:50K hours at 40C

#### Performance P-Q Curves



 Nomenclature  
 R/D Alarm  
 F/G Tach  
 S/C Function  
 PWM Function

▶ Outline Dimensions



Relevant products



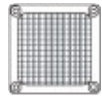
Metal Fan Guard  
G80-18



Plastic Fan Guard  
G80P, G80P2, G80P2A,  
G80P4



Plastic Fan Filter  
GRM80-30, GRM80-45



Metal Fan Screen  
MF80S-30N



RoHS