

Print page



·DC· SD6038PT



60x60x38mm / 2.36x1.5inch
90~35 CFM

Plastic Impeller

Model No	Rated Volt VDC	Voltage Range VDC	Input Power Watt	Rated Current Amp	Ref. Speed RPM	Max. Airflow CFM	m3/min	Max. Static Pressure Inch/H2O	mm	Noise Level db(A)	PQ Curves	UL
SD6038PT-12HH**	12	7~13.2	21.6	1.8	12000	68	1.9	2.2	55.88	62	5	<input checked="" type="checkbox"/>
SD6038PT-12H**	12	7~13.2	15.4	1.28	10000	56	1.6	1.5	38.1	57	6	<input checked="" type="checkbox"/>
SD6038PT-12M**	12	7~13.2	10.8	0.9	9000	52	1.5	1.2	30.48	54	7	<input checked="" type="checkbox"/>
SD6038PT-12L**	12	7~13.2	7.2	0.6	8000	45	1.3	0.9	22.86	51	8	<input checked="" type="checkbox"/>
SD6038PT-12LL**	12	7~13.2	9.6	0.8	7000	40	1.1	0.8	20.32	45	9	<input checked="" type="checkbox"/>
SD6038PT-12LLL**	12	7~13.2	7.68	0.64	6000	35	1	0.7	17.78	40	10	<input checked="" type="checkbox"/>
SD6038PT-24SHH**	24	14~26.4	24	1.0	14000	80	2.3	2.8	71.12	65	4	<input checked="" type="checkbox"/>
SD6038PT-24SH**	24	14~26.4	20.88	0.87	12000	68	1.9	2.2	55.88	62	5	<input checked="" type="checkbox"/>
SD6038PT-24HHH**	24	14~26.4	12.96	0.54	10000	56	1.6	1.5	38.1	57	6	<input checked="" type="checkbox"/>
SD6038PT-24HH**	24	14~26.4	12	0.5	9000	52	1.5	1.2	30.48	54	7	<input checked="" type="checkbox"/>
SD6038PT-24H**	24	14~26.4	9.12	0.38	8000	45	1.3	0.9	22.86	51	8	<input checked="" type="checkbox"/>
SD6038PT-24M**	24	14~26.4	15.6	0.65	7000	40	1.1	0.8	20.32	45	9	<input checked="" type="checkbox"/>
SD6038PT-48JHH**	48	28~56	36.48	0.76	16000	90	2.5	3.2	81.28	82	1	<input checked="" type="checkbox"/>
SD6038PT-48JH**	48	28~56	32.64	0.68	15000	85	2.4	3.0	76.2	78	2	<input checked="" type="checkbox"/>
SD6038PT-48EHH**	48	28~56	29.76	0.62	14500	82	2.3	2.9	73.66	75	3	<input checked="" type="checkbox"/>
SD6038PT-48SH**	48	28~56	24	0.5	14000	80	2.3	2.8	71.12	65	4	<input checked="" type="checkbox"/>
SD6038PT-48HHH**	48	28~56	19.2	0.4	12000	68	1.9	2.2	55.88	62	5	<input checked="" type="checkbox"/>
SD6038PT-48HH**	48	28~56	14.4	0.3	10000	56	1.6	1.5	38.1	57	6	<input checked="" type="checkbox"/>
SD6038PT-48H**	48	28~56	12	0.25	9000	52	1.5	1.2	30.48	54	7	<input checked="" type="checkbox"/>
SD6038PT-48M**	48	28~56	8.64/9.6	0.18/0.2	8000	45	1.3	0.9	22.86	51	8	<input checked="" type="checkbox"/>
SD6038PT-48L**	48	28~56	7.2	0.15	7000	40	1.1	0.8	20.32	45	9	<input checked="" type="checkbox"/>

- ** = "WB" for wire lead type Ball bearing, or "TB" for terminal type Ball bearing
- Sinwan reserves the right to change data and improve electrical & mechanical design without notice, data tolerance +-10%

Motor

Motor Type: DC Motor

Burnout Protection: Electronically protected, polarity protected

IP Protection: IP55, IP68 (Optional)

Mechanical

Frame: Glass fiber reinforced thermoplastic, rated UL94V-0

Impeller: 7 blades, glass fiber reinforced plastic, rated UL94V-0

Bearing: Two ball bearings

Rotation: CCW seen on rotor

Connection: Wire lead or Terminal flat pin connecting

Weight: 85g

Electronical

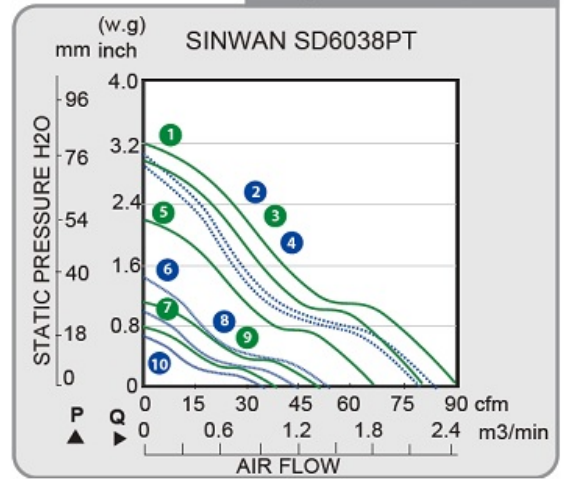
Dielectric Strength: 500 VAC/min. Max leakage 0.5mA

Speed Control: Optional: PWM, S/C NTC thermister
 Signal Output: Optional: RD Rotation Detactor, FG Frequency Generator

Environment

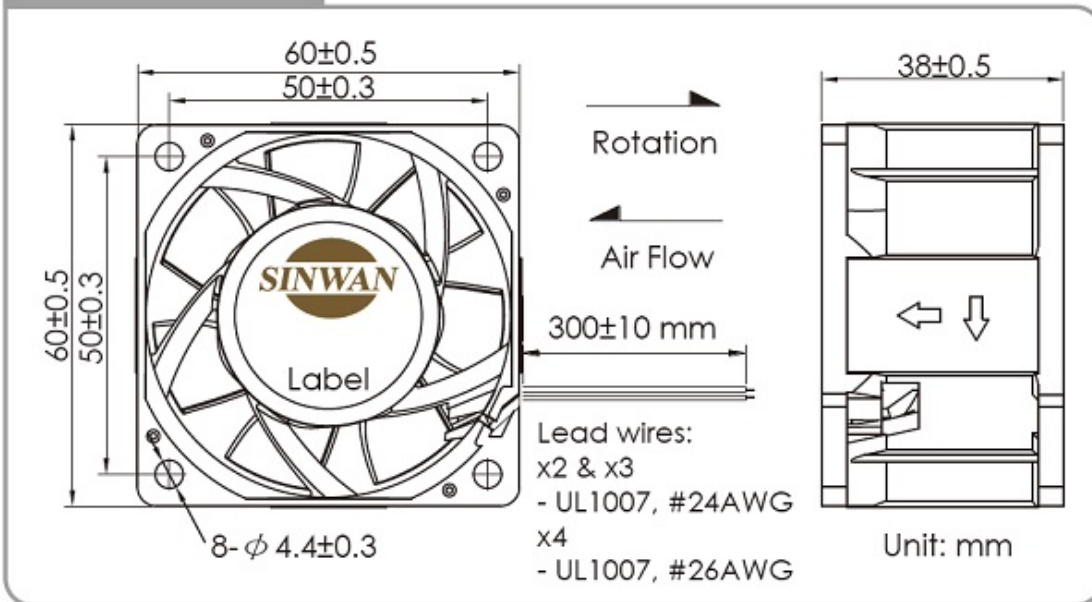
Operating Temp: -20C~+65C
 Storage Temp: -20C~+75C (at 65%RH)
 Life Expectancy: L10 70K hours at 40C

▶ Performance P-Q Curves



- 
 Nomenclature
- 
 R/D Alarm
- 
 F/G Tach
- 
 S/C Function
- 
 PWM Function

▶ Outline Dimensions



Relevant products

- 
 Metal Fan Guard
 G60-4, G60-4F
 - 
 Plastic Fan Guard
 G60P, G60P2, G60P4
 - 
 Plastic Fan Filter
 GRM60-30, GRM60-45
 - 
 Metal Fan Screen
 MF60S-30N
- 