

Print page



·DC· SD6025PT



60x60x25mm / 2.4x1inch

45~12 CFM

Plastic impeller

Model No	Rated Volt VDC	Voltage Range VDC	Input Power Watt	Rated Current Amp	Ref. Speed RPM	Max.Airflow		Max.Static Pressure		Noise Level db(A)	PQ Curves	UL
						CFM	m3/min	Inch/H2O	mm			
SD6025PT-05H (HH)	5	4~6	1.2(~1.6)	0.24(~0.32)	3600	25	0.7	0.22	5.59	30	8	<input checked="" type="checkbox"/>
SD6025PT-05H	5	4~7	1.2	0.24	3200	20	0.6	0.17	4.32	26	9	<input checked="" type="checkbox"/>
SD6025PT-05M	5	4~7	0.9	0.17	2800	15	0.4	0.15	3.81	21	11	<input checked="" type="checkbox"/>
SD6025PT-05L	5	4~7	0.6	0.12	2000	12	0.3	0.10	2.54	18	13	<input checked="" type="checkbox"/>
SD6025PT-12H (HHH)	12	8~13.8	1.8(~3.5)	0.15(~0.29)	5500	38	1.1	0.26	6.6	38	3	<input checked="" type="checkbox"/>
SD6025PT-12H (HH)	12	8~13.8	1.8(~2.5)	0.15(~0.21)	4400	32	0.9	0.24	6.1	32	5	<input checked="" type="checkbox"/>
SD6025PT-12H	12	8~13.8	1.8	0.15	4000	28	0.8	0.23	5.84	30	7	<input checked="" type="checkbox"/>
SD6025PT-12M	12	8~14	1.5	0.12	3200	20	0.6	0.17	4.32	26	9	<input checked="" type="checkbox"/>
SD6025PT-12L	12	8~14	1	0.08	2500	14	0.4	0.14	3.56	20	12	<input checked="" type="checkbox"/>
SD6025PT-24EH	24	12~27.6	7.2	0.3	7000	45	1.3	0.32	8.13	50	1	<input checked="" type="checkbox"/>
SD6025PT-24SHH	24	12~27.6	4.8	0.2	6000	40	1.1	0.28	7.11	41	2	<input checked="" type="checkbox"/>
SD6025PT-24SH	24	12~27.6	3.84	0.16	5500	38	1.1	0.26	6.6	38	3	<input checked="" type="checkbox"/>
SD6025PT-24HHH	24	12~27.6	3.36	0.14	5000	35	1	0.25	6.35	35	4	<input checked="" type="checkbox"/>
SD6025PT-24HH	24	12~27.6	2.8	0.12	4400	32	0.9	0.24	6.1	32	5	<input checked="" type="checkbox"/>
SD6025PT-24H	24	12~27.6	2.8	0.12	4000	28	0.8	0.23	5.84	30	7	<input checked="" type="checkbox"/>
SD6025PT-24M	24	12~27.6	2.2	0.09	3000	17	0.5	0.16	4.06	25	10	<input checked="" type="checkbox"/>
SD6025PT-24L	24	12~28	1.5	0.06	2500	14	0.4	0.14	3.56	20	12	<input checked="" type="checkbox"/>
SD6025PT-48HHH	48	24~53	7.2	0.15	5500	37	1	0.26	6.6	38	3	<input checked="" type="checkbox"/>
SD6025PT-48HH	48	24~55	6.24	0.13	4400	32	0.9	0.24	6.1	32	5	<input checked="" type="checkbox"/>
SD6025PT-48H	48	24~56	5.28	0.11	4200	30	0.8	0.23	5.84	31	6	<input checked="" type="checkbox"/>
SD6025PT-48M	48	24~56	4.8	0.1	4000	28	0.8	0.23	5.84	30	7	<input checked="" type="checkbox"/>
SD6025PT-48L	48	28~56	3.84	0.08	3000	17	0.5	0.16	4.06	25	10	<input checked="" type="checkbox"/>
SD6025PT-48LL	48	28~56	3.36	0.07	2800	16	0.5	0.15	3.81	21	11	<input checked="" type="checkbox"/>

- ** = "WB" for wire lead type Ball bearing, or "TB" for terminal type Ball bearing
- Sinwan reserves the right to change data and improve electrical & mechanical design without notice, data tolerance +-10%

Motor

Motor Type: Brushless DC Motor, auto cutoff auto restart optional
 Burnout Protection: Electronically protected, polarity protected
 IP Protection: IP55, IP68 (Optional)

Mechanical

Frame: Glass fiber reinforced thermoplastic, rated UL94V-0
 Impeller: 7 blades, glass fiber reinforced plastic, rated UL94V-0
 Bearing: Two ball bearings
 Rotation: CCW seen on rotor
 Connection: Wire lead or terminal flat pin connecting
 Weight: 60g

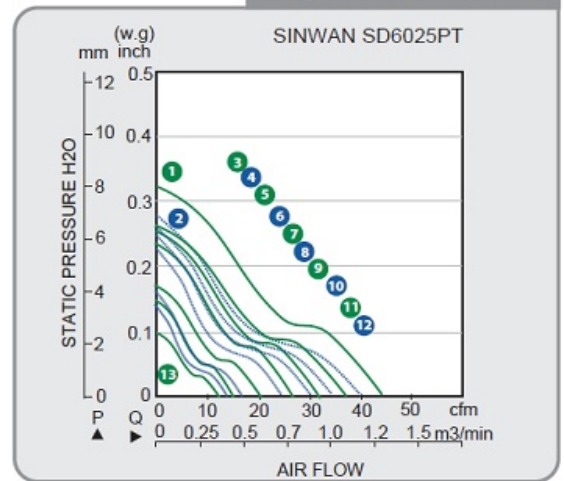
Electronical

Dielectric Strength: 500 VAC/min. Max leakage 0.5mA
 Speed Control: Optional:PWM, S/C NTC thermister
 Signal Output: Optional:RD Rotation Detactor, FG Frequency Generator

Environment

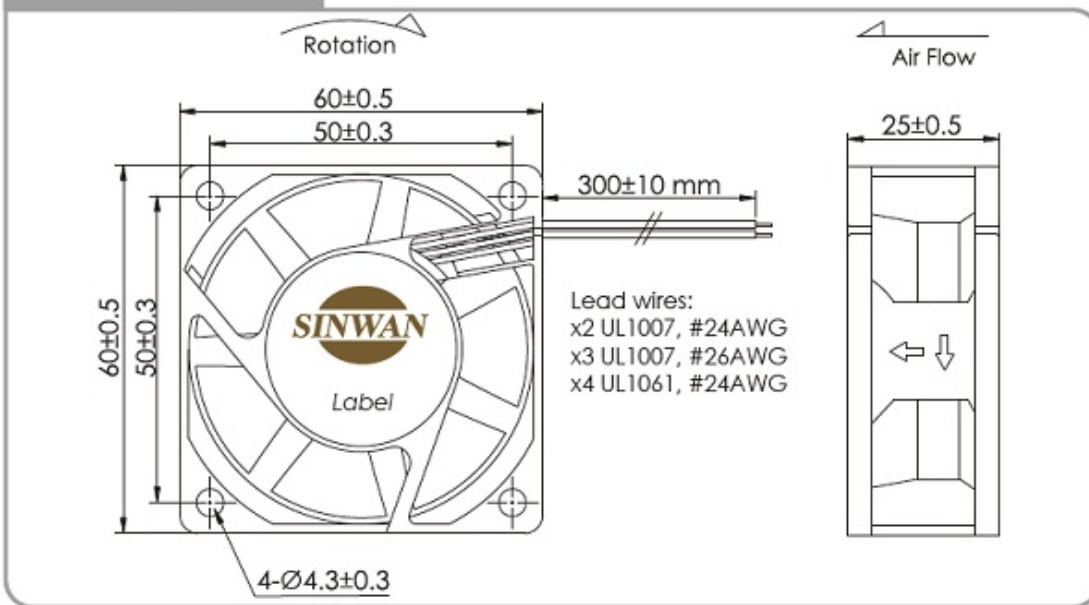
Operating Temp: -20C~+65C
 Storage Temp: -20C~+75C (at 65%RH)
 Life Expectancy: L10 - B:70K hours at 40C / Y:50K hours at 40C

► Performance P-Q Curves



- 
 Nomenclature
- 
 R/D Alarm
- 
 F/G Tach
- 
 S/C Function
- 
 PWM Function

► Outline Dimensions



Relevant products

- 
 Metal Fan Guard
 G60-4, G60-4F
 - 
 Plastic Fan Guard
 G60P, G60P2, G60P4
 - 
 Plastic Fan Filter
 GRM60-30, GRM60-45
 - 
 Metal Fan Screen
 MF60S-30N
- 


- RoHS**