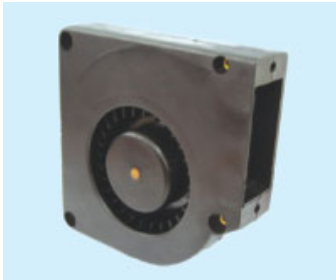


Print page



·DC· SD600PT



120x120x31mm
30~20 CFM

DC Blower

Model No	Rated Volt VDC	Voltage Range VDC	Input Power Watt	Rated Current Amp	Ref. Speed RPM	Max. Airflow CFM	Max. Static Pressure Inch/H2O	Noise Level db(A)	PQ Curves
SD600PT-05H	5	4~6	3.8(~4.5)	0.65(~0.9)	2300	25 0.7	0.42	42	H
SD600PT-05M	5	4~6	3.0	0.55	2000	22 0.6	0.38	35	M
SD600PT-05L	5	4~6	2.5	0.35	1800	20 0.6	0.35	30	L
SD600PT-12H	12	8~14	7.2	0.6	2700	30 0.8	0.49	49	H
SD600PT-12M	12	8~14	5.7	0.47	2300	22 0.6	0.42	42	M
SD600PT-12L	12	8~14	2.4	0.20	1800	20 0.6	0.35	30	L
SD600PT-24H	24	12~28	8.8	0.37	2700	30 0.8	0.49	49	H
SD600PT-24M	24	14~28	7.2	0.30	2300	22 0.6	0.42	42	M
SD600PT-24L	24	14~28	4.8	0.20	1800	20 0.6	0.35	30	L
SD600PT-48H	48	24~56	7.2	0.15	2700	30 0.8	0.49	49	H
SD600PT-48M	48	28~56	5.8	0.12	2300	22 0.6	0.42	42	M
SD600PT-48L	48	28~60	4.4	0.09	1800	20 0.6	0.35	30	L

- ** = "WB" for wire lead type Ball bearing, or "TB" for terminal type Ball bearing
- Sinwan reserves the right to change data and improve electrical & mechanical design without notice, data tolerance +-10%

Motor

Motor Type: Brushless DC, auto cutoff, auto restart, locking and polarity protected motor
Burnout Protection:
IP Protection: IP55, IP67 (Optional)

Mechanical

Frame: Glass fiber reinforced PBT thermoplastic, UL94V-0
Impeller: Glass fiber reinforced PBT thermoplastic, UL94V-0 impeller
Bearing: Double sealed high precision ball bearing
Rotation: CW seen on rotor
Connection: Wire leads
Weight: 260 g (0.57 Lbs)

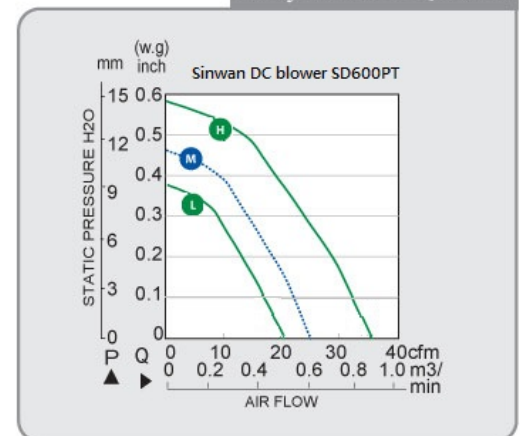
Electronical

Dielectric Strength: 500 VAC/min. Max leakage 0.5mA
Speed Control: Optional: PWM, S/C NTC thermister on request
Signal Output: Optional: RD Rotation Detactor, FG Frequency Generator

Environment

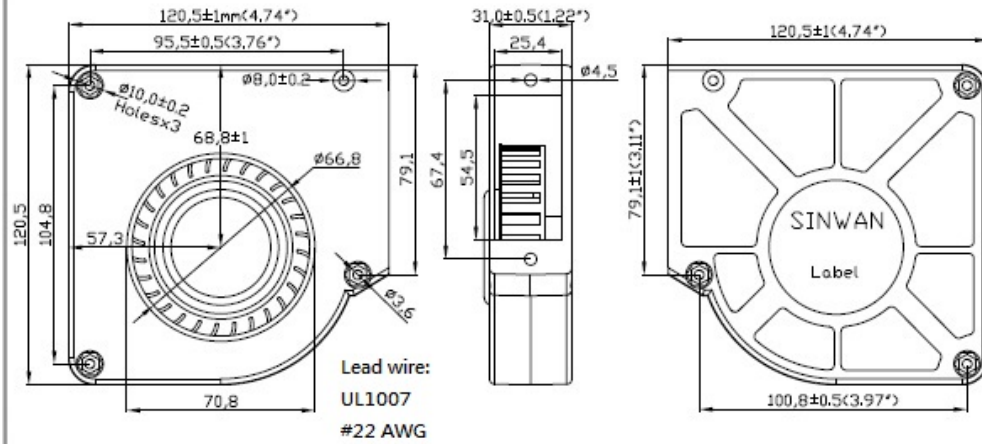
Operating Temp: -20C~+65C
Storage Temp: -20C~+75C (at 65%RH)
Life Expectancy: Ball bearings 65,000 hours at 45C, 50,000 hours at 60C

► Performance P-Q Curves



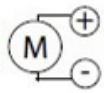
-  Nomenclature
-  R/D Alarm
-  F/G Tach
-  S/C Function
-  PWM Function

▶ Outline Dimensions



Lead wire:
UL1007
#22 AWG

Function Leads



- | | | |
|-----------|------------|---------------------------------|
| Red color | Alarm R/D- | Yellow color |
| 5V Green | 12V Blue | 24V Black |
| 38V Brown | 48V Brown | |
| | | Alarm R/D- Yellow color |
| | | Tacho F/G- White color |
| | | Speed control: |
| | | Themister NT S/C- Orange |
| | | Pulse W. Mod. PWM- Purple |
| | | Speed setting vs Vol. S/S- Gray |

(#8-32/or M4 x 0.7
Speed nut x 2
available on request only)

Relevant products

