

Print page



·DC· SD4028PT



40x40x28mm / 1.6x1.1inch

25~8 CFM

Plastic Impeller

Model No	Rated Volt VDC	Voltage Range VDC	Input Power Watt	Rated Current Amp	Ref. Speed RPM	Max. Airflow		Max. Static Pressure		Noise Level db(A)	PQ Curves	UL
						CFM	m3/min	Inch/H2O	mm			
SD4028PT-05HHH	5	4.5~5.5	1.55	0.31	15000	25	0.7	1.63	41.4	58	1	<input type="checkbox"/>
SD4028PT-05HH	5	4.5~5.5	1.45	0.29	13000	24	0.7	1.32	33.53	54	2	<input type="checkbox"/>
SD4028PT-05H	5	4.5~5.5	1.4	0.28	11000	19	0.5	0.92	23.37	51	3	<input type="checkbox"/>
SD4028PT-05M	5	4.5~5.5	1.25	0.25	8500	12	0.3	0.32	8.13	37	4	<input type="checkbox"/>
SD4028PT-05L	5	4.5~5.5	1.15	0.23	7500	10	0.3	0.24	6.1	32	5	<input type="checkbox"/>
SD4028PT-05LL	5	4.5~5.5	1	0.2	6500	9	0.3	0.17	4.32	29	6	<input type="checkbox"/>
SD4028PT-05LLL	5	4.5~5.5	0.85	0.17	5500	8	0.2	0.13	3.3	27	7	<input type="checkbox"/>
SD4028PT-12H	12	7~13.2	9.0	0.75	15000	25	0.7	1.63	41.4	58	1	<input checked="" type="checkbox"/>
SD4028PT-12M	12	7~13.2	7.8	0.65	13000	24	0.7	1.32	33.53	54	2	<input checked="" type="checkbox"/>
SD4028PT-12L	12	7~13.2	6.0	0.5	11000	19	0.5	0.92	23.37	51	3	<input checked="" type="checkbox"/>
SD4028PT-12LL	12	7~13.2	5.4	0.45	8500	12	0.3	0.32	8.13	37	4	<input checked="" type="checkbox"/>
SD4028PT-12LLL	12	7~13.2	4.08	0.34	7500	10	0.3	0.24	6.1	32	5	<input checked="" type="checkbox"/>
SD4028PT-12SL	12	7~13.2	3.6	0.3	6500	9	0.3	0.17	4.32	29	6	<input checked="" type="checkbox"/>
SD4028PT-12SLL	12	7~13.2	3.36	0.28	5500	8	0.2	0.13	3.3	27	7	<input checked="" type="checkbox"/>
SD4028PT-12EL	12	7~13.2	3.0	0.25	4500	6.5	0.2	0.1	2.54	22	8	<input checked="" type="checkbox"/>
SD4028PT-24HHH	24	14~26.4	9.36	0.39	15000	25	0.7	1.63	41.4	58	1	<input checked="" type="checkbox"/>
SD4028PT-24HH	24	14~26.4	5.76	0.24	13000	24	0.7	1.32	33.53	54	2	<input checked="" type="checkbox"/>
SD4028PT-24H	24	14~26.4	4.8	0.2	11000	19	0.5	0.92	23.37	51	3	<input checked="" type="checkbox"/>
SD4028PT-24M	24	14~26.4	3.84	0.16	8500	12	0.3	0.32	8.13	37	4	<input checked="" type="checkbox"/>
SD4028PT-24L	24	14~26.4	3.36	0.14	7500	10	0.3	0.24	6.1	32	5	<input checked="" type="checkbox"/>
SD4028PT-24LL	24	14~26.4	2.88	0.12	6500	9	0.3	0.17	4.32	29	6	<input checked="" type="checkbox"/>
SD4028PT-24LLL	24	14~26.4	1.44	0.06	5500	8	0.2	0.13	3.3	27	7	<input type="checkbox"/>
SD4028PT-48HHH	48	28~56	9.6	0.2	15000	25	0.7	1.63	41.4	58	1	<input type="checkbox"/>
SD4028PT-48HH	48	28~56	7.2	0.15	13000	24	0.7	1.32	33.53	54	2	<input type="checkbox"/>
SD4028PT-48H	48	28~56	4.8	0.1	11000	19	0.5	0.92	23.37	51	3	<input type="checkbox"/>
SD4028PT-48M	48	28~56	3.84	0.08	8500	12	0.3	0.32	8.13	37	4	<input type="checkbox"/>
SD4028PT-48L	48	28~56	2.88	0.06	7500	10	0.3	0.24	6.1	32	5	<input type="checkbox"/>
SD4028PT-48LL	48	28~56	2.4	0.05	6500	9	0.3	0.17	4.32	29	6	<input type="checkbox"/>

- ** = "WB" for wire lead type Ball bearing, or "TB" for terminal type Ball bearing
- Sinwan reserves the right to change data and improve electrical & mechanical design without notice, data tolerance +-10%

Motor

Motor Type: DC Motor

Burnout Protection: Electronically protected, Polarity protected

IP Protection: IP55, IP67 (Optional)

Mechanical

Frame: Glass fiber reinforced thermoplastic, rated UL94V-0

Impeller: 5 blades, glass fiber reinforced plastic, rated UL94V-0

Bearing:	Two ball bearings
Rotation:	CCW seen on rotor
Connection:	Wire lead or Terminal flat pin connecting
Weight:	45g

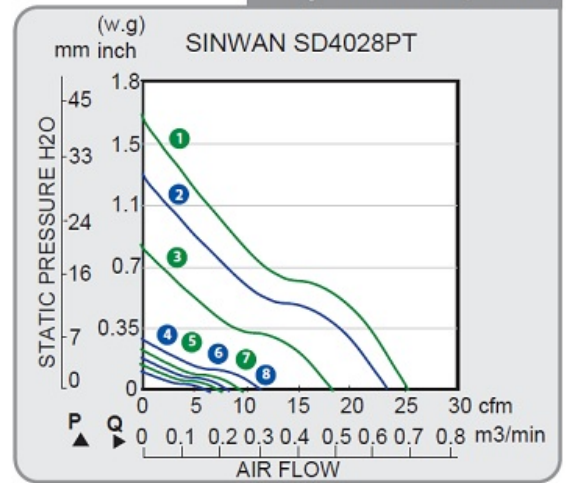
Electrical

Dielectric Strength:	500 VAC/min. Max leakage 0.5mA
Speed Control:	Optional: PWM, S/C NTC thermister
Signal Output:	Optional: R/D alarm output, F/G Tachometer output

Environment

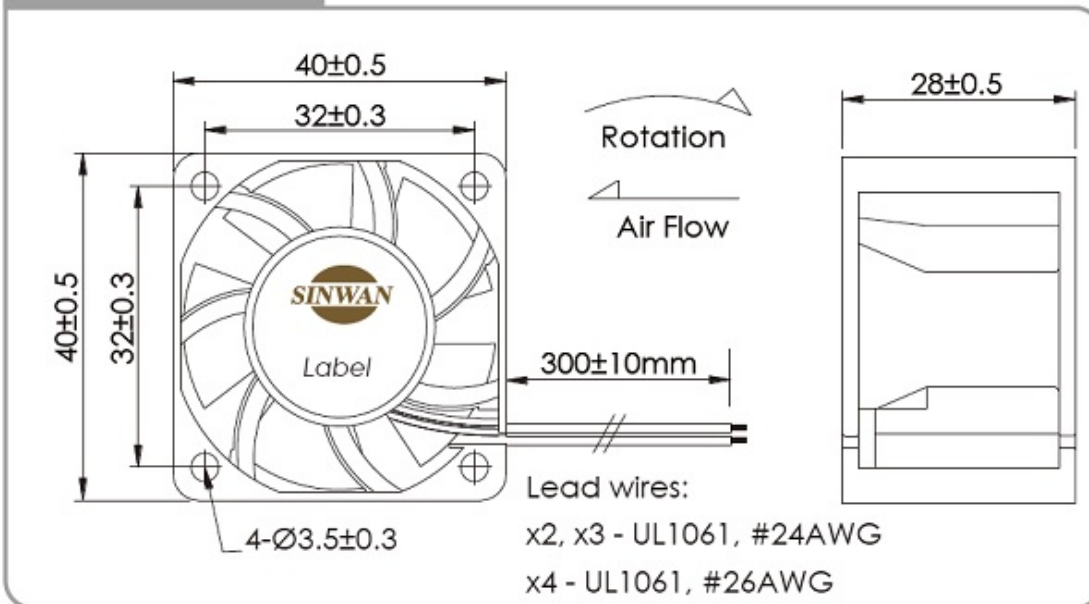
Operating Temp:	-20C~+65C
Storage Temp:	-20C~+75C (at 65%RH)
Life Expectancy:	L10 - B:70K hours at 40C / Y:50K hours at 40C

Performance P-Q Curves



 Nomenclature
 R/D Alarm
 F/G Tach

Outline Dimensions



Relevant products



Metal Fan Guard
G40 series



Plastic Fan Guard
G40P



Plastic Fan Filter
GRM40-30, GRM40-45



RoHS