

Print page



·DC· SD4020SPT



**40x40x20mm / 1.6x0.8inch**  
**22~5.8 CFM**

Plastic Impeller

Model No	Rated Volt VDC	Voltage Range VDC	Input Power Watt	Rated Current Amp	Ref. Speed RPM	Max.Airflow CFM m3/min	Max.Static Pressure Inch/H2O mm	Noise Level db(A)	PQ Curves	UL
SD4020SPT-12SH	12	7~13.2	6.36	0.53	17000	22 0.6	1.6 40.64	55	1	<input checked="" type="checkbox"/>
SD4020SPT-12HHH	12	7~13.2	5.4	0.45	16000	20 0.6	1.45 36.83	53	2	<input checked="" type="checkbox"/>
SD4020SPT-12HH	12	7~13.2	5.04	0.42	15000	18.8 0.5	1.28 32.51	51	3	<input checked="" type="checkbox"/>
SD4020SPT-12H	12	7~13.2	4.8	0.4	14000	17 0.5	1.1 27.94	49	4	<input checked="" type="checkbox"/>
SD4020SPT-12M	12	7~13.2	4.44	0.37	13000	15.6 0.4	0.93 23.62	47	5	<input checked="" type="checkbox"/>
SD4020SPT-12L	12	7~13.2	4.2	0.35	12000	14.5 0.4	0.8 20.32	44	6	<input checked="" type="checkbox"/>
SD4020SPT-12LL	12	7~13.2	3.96	0.33	10000	12 0.3	0.55 13.97	40	7	<input checked="" type="checkbox"/>
SD4020SPT-12LLL	12	7~13.2	3.36	0.28	9000	10.5 0.3	0.44 11.18	38	8	<input checked="" type="checkbox"/>
SD4020SPT-12SL	12	7~13.2	2.4	0.2	8000	9.5 0.3	0.35 8.89	33	9	<input checked="" type="checkbox"/>
SD4020SPT-12SLL	12	7~13.2	1.92	0.16	7000	8.2 0.2	0.27 6.86	30	10	<input checked="" type="checkbox"/>
SD4020SPT-12EL	12	7~13.2	1.44	0.12	6000	7 0.2	0.2 5.08	27	11	<input checked="" type="checkbox"/>
SD4020SPT-12ELL	12	7~13.2	1.2	0.1	5000	5.8 0.2	0.14 3.56	23	12	<input checked="" type="checkbox"/>
SD4020SPT-24SH	24	14~26.4	6.72	0.28	17000	22 0.6	1.6 40.64	55	1	<input checked="" type="checkbox"/>
SD4020SPT-24HHH	24	14~26.4	5.28	0.22	16000	20 0.6	1.45 36.83	53	2	<input checked="" type="checkbox"/>
SD4020SPT-24HH	24	14~26.4	4.8	0.2	15000	18.8 0.5	1.28 32.51	51	3	<input checked="" type="checkbox"/>
SD4020SPT-24H	24	14~26.4	4.56	0.19	14000	17 0.5	1.1 27.94	49	4	<input checked="" type="checkbox"/>
SD4020SPT-24M	24	14~26.4	4.32	0.18	13000	15.6 0.4	0.93 23.62	47	5	<input checked="" type="checkbox"/>
SD4020SPT-24L	24	14~26.4	3.84	0.16	12000	14.5 0.4	0.8 20.32	44	6	<input checked="" type="checkbox"/>
SD4020SPT-24LL	24	14~26.4	3.6	0.15	10000	12 0.3	0.55 13.97	40	7	<input checked="" type="checkbox"/>
SD4020SPT-24LLL	24	14~26.4	2.64	0.11	9000	10.5 0.3	0.44 11.18	38	8	<input checked="" type="checkbox"/>
SD4020SPT-24SL	24	14~26.4	1.92	0.08	8000	9.5 0.3	0.35 8.89	33	9	<input checked="" type="checkbox"/>
SD4020SPT-48HHH	48	28~56	5.28	0.11	16000	20 0.6	1.45 36.83	53	2	<input type="checkbox"/>

- \*\* = "WB" for wire lead type Ball bearing
- Sinwan reserves the right to change data and improve electrical & mechanical design without notice, data tolerance +-10%

**Motor**

Motor Type:	DC Motor
Burnout Protection:	Electronically protected, polarity protected
IP Protection:	IP55, IP67 (Optional)

**Mechanical**

Frame:	Glass fiber reinforced thermoplastic, rated UL94V-0
Impeller:	7 blades, glass fiber reinforced plastic, rated UL94V-0
Bearing:	Two ball bearings
Rotation:	CCW seen on rotor
Connection:	Wire lead or Terminal flat pin connecting
Weight:	30g

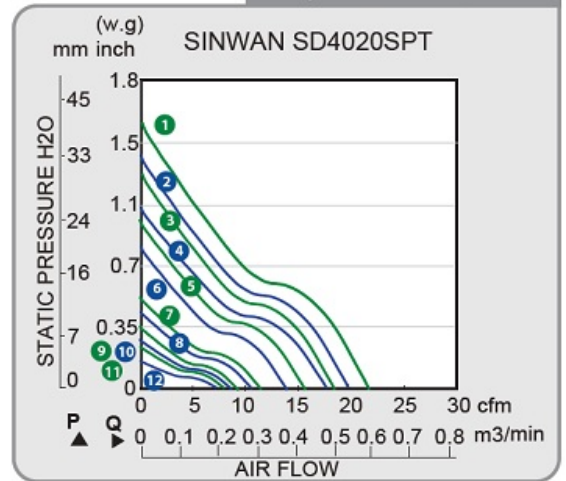
**Electrical**

Dielectric Strength: 500 VAC/min. Max leakage 0.5mA  
 Speed Control: Optional: PWM, S/C NTC thermister  
 Signal Output: Optional: RD Alarm output, FG Tachometer output

**Environment**

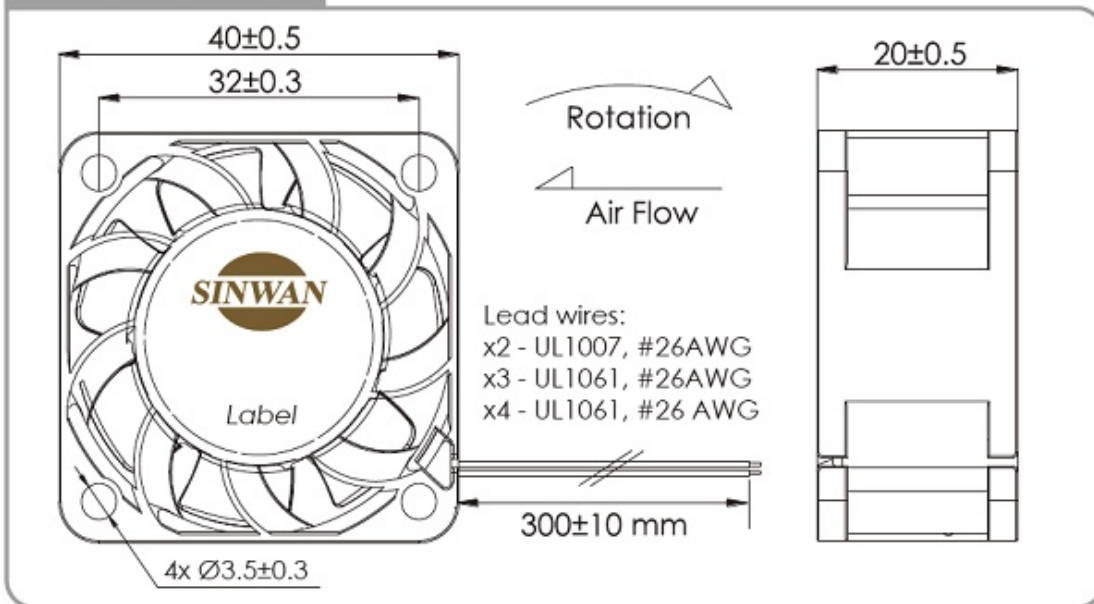
Operating Temp: -20C~+65C  
 Storage Temp: -20C~+75C (at 65%RH)  
 Life Expectancy: L10 - B:70K hours at 40C / Y:50K hours at 40C

► Performance P-Q Curves



Nomenclature  
 R/D Alarm  
 F/G Tach

► Outline Dimensions



Relevant products

- Metal Fan Guard  
 G40-2
- Plastic Fan Guard  
 G40P
- Plastic Fan Filter  
 GRM40-30, GRM40-45

**RoHS**