

Print page



·DC· SD4010PT



40x40x10.5mm / 1.6x0.4inch

12~4.75 CFM

Plastic Impeller

Model No	Rated Volt VDC	Voltage Range VDC	Input Power Watt	Rated Current Amp	Ref. Speed RPM	Max.Airflow CFM m3/min	Max.Static Pressure Inch/H2O mm	Noise Level db(A)	PQ Curves	UL
SD4010PT-05H (HH)	5	4~7	0.5 (~1.5)	0.1 (~0.3)	10000	12 0.3	0.34 8.64	38	1	<input checked="" type="checkbox"/>
SD4010PT-05H	5	4~7	0.5 (~1.5)	0.1 (~0.3)	8000	9.25 0.3	0.20 5.08	33	2	<input checked="" type="checkbox"/>
SD4010PT-05M	5	4~7	0.36 (~0.6)	0.07(~0.12)	6000	7.24 0.2	0.12 3.05	25	3	<input checked="" type="checkbox"/>
SD4010PT-05L	5	4~7	0.3	0.06	4000	4.75 0.1	0.07 1.78	20	4	<input checked="" type="checkbox"/>
SD4010PT-12H (HH)	12	8~13.8	0.84 (~2.16)	0.07 (~0.18)	10000	12 0.3	0.34 8.64	38	1	<input checked="" type="checkbox"/>
SD4010PT-12H	12	8~13.8	0.84 (~1.08)	0.07 (~0.09)	8000	9.25 0.3	0.20 5.08	33	2	<input checked="" type="checkbox"/>
SD4010PT-12M	12	8~13.8	0.6	0.05	6000	7.24 0.2	0.12 3.05	25	3	<input checked="" type="checkbox"/>
SD4010PT-12L	12	9~14	0.5	0.04	4000	4.75 0.1	0.07 1.78	20	4	<input checked="" type="checkbox"/>
SD4010PT-24H (HH)	24	12~27.6	1.44 (~2.16)	0.06 (~0.09)	10000	12 0.3	0.34 8.64	38	1	<input checked="" type="checkbox"/>
SD4010PT-24H	24	12~27.6	1.44 (~2.16)	0.06 (~0.09)	8000	9.25 0.3	0.20 5.08	33	2	<input checked="" type="checkbox"/>
SD4010PT-24M	24	12~28	1.2	0.05	6000	7.24 0.2	0.12 3.05	25	3	<input checked="" type="checkbox"/>
SD4010PT-24L	24	12~28	0.72	0.03	4000	4.75 0.1	0.07 1.78	20	4	<input checked="" type="checkbox"/>

- ** = "WB" for wire lead type Ball bearing, or "TB" for terminal type Ball bearing
- Sinwan reserves the right to change data and improve electrical & mechanical design without notice, data tolerance +-10%

Motor

Motor Type: Brushless DC Motor, auto cutoff auto restart optional only
 Burnout Protection: Electronically protected, polarity protected
 IP Protection: IP55, IP67 (Optional)

Mechanical

Frame: Glass fiber reinforced thermoplastic, rated UL94V-0(PT)
 Impeller: 7 blades, glass fiber reinforced plastic, rated UL94V-0
 Bearing: Two ball bearings
 Rotation: CCW seen on rotor
 Connection: Wire lead or terminal flat pin connecting
 Weight: 16g

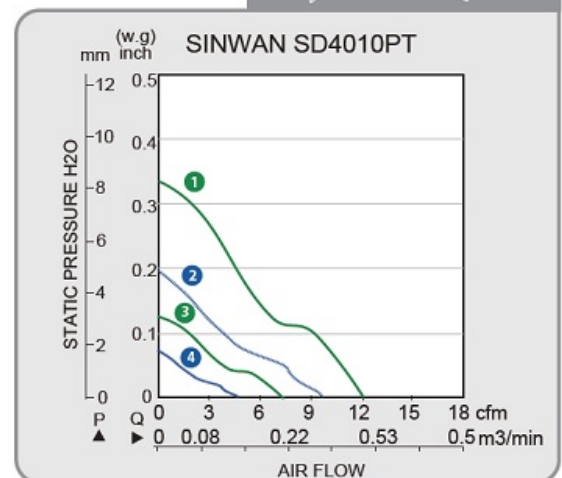
Electronical




Dielectric Strength: 500 VAC/min. Max leakage 0.5mA
 Speed Control: Optional: PWM, S/C NTC thermister
 Signal Output: Optional: RD Rotation Detactor, FG Frequency Generator

Environment

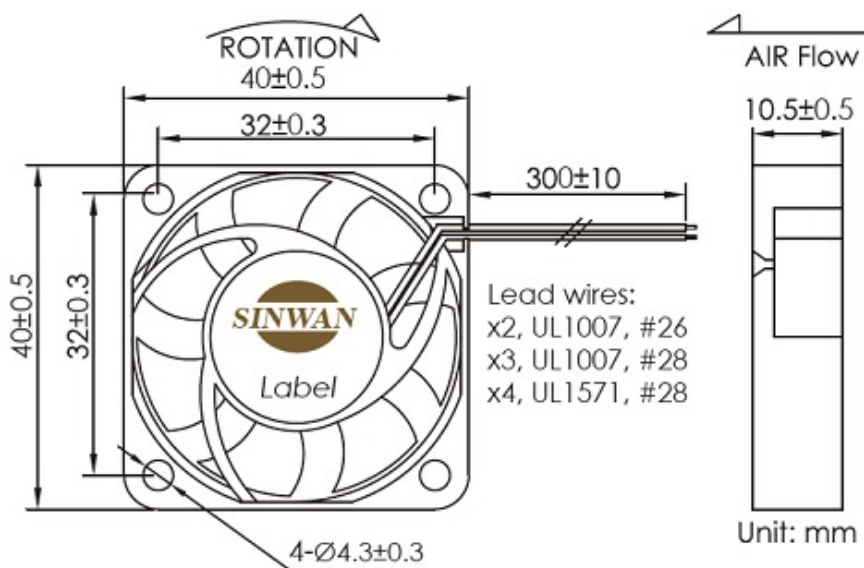
Operating Temp: -20C~+65C
 Storage Temp: -20C~+75C (at 65%RH)
 Life Expectancy: L10 - B:70K hours at 40C / Y:50K hours at 40C

► Performance P-Q Curves



 Nomenclature
 R/D Alarm
 F/G Tach

▶ Outline Dimensions



Relevant products



Metal Fan Guard
G40-2



Plastic Fan Guard
G40P



Plastic Fan Filter
GRM40-30, GRM40-45



RoHS