

Print page



·DC· SD4007PT



40x40x7.5mm / 1.6x0.3inch
5.9~4.3 CFM

Plastic Impeller

Model No	Rated Volt VDC	Voltage Range VDC	Input Power Watt	Rated Current Amp	Ref. Speed RPM	Max. Airflow CFM m3/min	Max. Static Pressure Inch/H2O mm	Noise Level db(A)	PQ Curves	UL
SD4007PT-05H	5	4~6	0.5	0.1	7500	5.9 0.2	0.12 3.05	34	H	<input checked="" type="checkbox"/>
SD4007PT-05M	5	4~6	0.36	0.07	6500	5.0 0.1	0.091 2.31	30	M	<input checked="" type="checkbox"/>
SD4007PT-05L	5	4~7	0.3	0.06	5000	4.3 0.1	0.075 1.9	25	L	<input checked="" type="checkbox"/>
SD4007PT-12H	12	7~13.8	0.84	0.07	7500	5.9 0.2	0.12 3.05	34	H	<input checked="" type="checkbox"/>
SD4007PT-12M	12	7~13.8	0.6	0.05	6500	5.0 0.1	0.091 2.31	30	M	<input checked="" type="checkbox"/>
SD4007PT-12L	12	7~14	0.5	0.04	5000	4.3 0.1	0.075 1.9	25	L	<input checked="" type="checkbox"/>
SD4007PT-24H	24	12~27.6	1.44	0.06	7500	5.9 0.2	0.12 3.05	34	H	<input checked="" type="checkbox"/>
SD4007PT-24M	24	12~27.6	1.2	0.05	6500	5.0 0.1	0.091 2.31	30	M	<input checked="" type="checkbox"/>
SD4007PT-24L	24	12~27.6	0.72	0.03	5000	4.3 0.1	0.075 1.9	25	L	<input checked="" type="checkbox"/>

- ** = "WB" for wire lead type Ball bearing, or "TB" for terminal type Ball bearing
- Sinwan reserves the right to change data and improve electrical & mechanical design without notice, data tolerance +-10%

Motor

Motor Type: Brushless DC Motor, auto cutoff auto restart optional
Burnout Protection: Electronically protected, polarity protected
IP Protection: IP55, IP67 (Optional)

Mechanical

Frame: Glass fiber reinforced thermoplastic, rated UL94V-0
Impeller: 11 blades, glass fiber reinforced plastic, rated UL94V-0
Bearing: Two ball bearings
Rotation: CCW seen on rotor
Connection: Wire lead or terminal flat pin connecting
Weight: 7.5g (0.017Lbs)

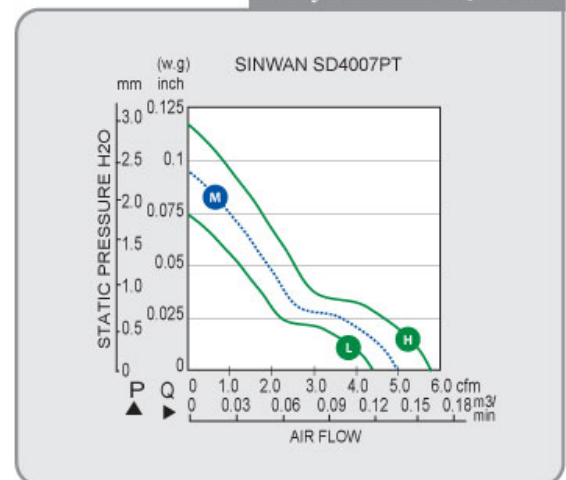
Electronical

Dielectric Strength: 500 VAC/min. Max leakage 0.5mA
Speed Control: Optional: PWM, S/C NTC thermister
Signal Output: Optional: RD Rotation Detactor, FG Frequency Generator

Environment

Operating Temp: -20C~+65C
Storage Temp: -20C~+75C (at 65%RH)
Life Expectancy: L10 - B:70K hours at 40C / Y:50K hours at 40C

► Performance P-Q Curves



Nomenclature

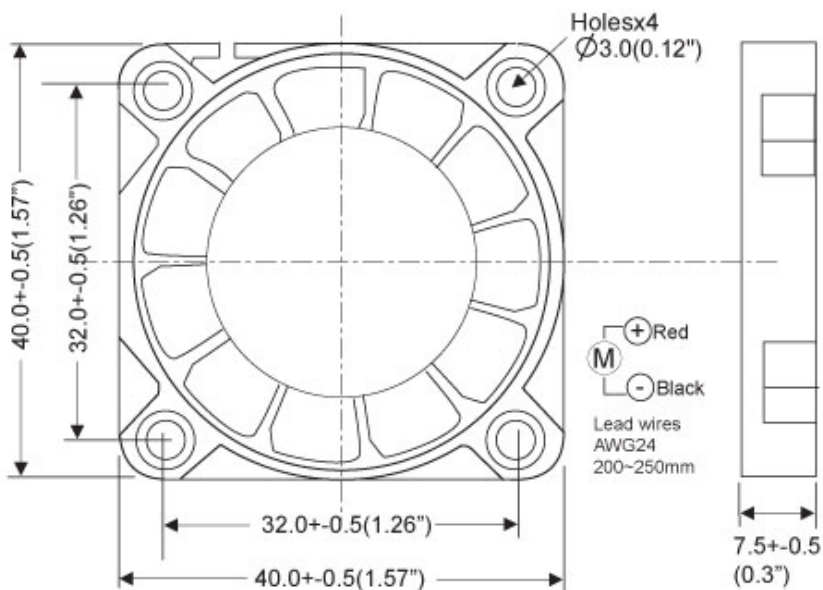


R/D
Alarm



F/G
Tach

▶ Outline Dimensions



Relevant products



Metal Fan Guard
G40-2



Plastic Fan Guard
G40P



Plastic Fan Filter
GRM40-30, GRM40-45



RoHS