

Print page



·DC· SD3828PT



38x38x28mm / 1.5x1.1inch
24~13 CFM

Plastic Impeller

Model No	Rated Volt VDC	Voltage Range VDC	Input Power Watt	Rated Current Amp	Ref. Speed RPM	Max.Airflow CFM m3/min	Max.Static Pressure Inch/H2O mm	Noise Level db(A)	PQ Curves	UL
SD3828PT-12SHH**	12	7~13.2	12	1.0	19000	24 0.7	2.1 53.34	62	1	<input checked="" type="checkbox"/>
SD3828PT-12SH**	12	7~13.2	9.84	0.82	18000	22 0.6	1.87 47.5	60	2	<input checked="" type="checkbox"/>
SD3828PT-12HHH**	12	7~13.2	6	0.5	13000	17 0.5	1.02 25.91	48	3	<input checked="" type="checkbox"/>
SD3828PT-12HH**	12	7~13.2	3.6	0.3	12000	15.5 0.4	0.91 23.11	47	4	<input checked="" type="checkbox"/>
SD3828PT-12H**	12	7~13.2	2.52	0.21	11000	14 0.4	0.8 20.32	45	5	<input checked="" type="checkbox"/>
SD3828PT-12M**	12	7~13.2	1.8	0.15	10000	13 0.4	0.7 17.78	42	6	<input checked="" type="checkbox"/>
SD3828PT-24SHH**	24	14~26.4	12	0.5	19000	24 0.7	2.1 53.34	62	1	<input type="checkbox"/>
SD3828PT-24SH**	24	14~26.4	9.84	0.41	18000	22 0.6	1.87 47.5	60	2	<input type="checkbox"/>
SD3828PT-24HHH**	24	14~26.4	6	0.25	13000	17 0.5	1.02 25.91	48	3	<input type="checkbox"/>
SD3828PT-24HH**	24	14~26.4	3.6	0.15	12000	15.5 0.4	0.91 23.11	47	4	<input type="checkbox"/>
SD3828PT-24H**	24	14~26.4	2.52	0.105	11000	14 0.4	0.8 20.32	45	5	<input type="checkbox"/>
SD3828PT-24M**	24	14~26.4	1.8	0.075	10000	13 0.4	0.7 17.78	42	6	<input type="checkbox"/>

- ** = "WB" for wire lead type Ball bearing, or "TB" for terminal type Ball bearing
- Sinwan reserves the right to change data and improve electrical & mechanical design without notice, data tolerance +-10%

Motor

Motor Type: DC Motor
Burnout Protection: Electronically protected, polarity protected
IP Protection: IP55, IP67 (Optional)

Mechanical

Frame: Glass fiber reinforced thermoplastic, rated UL94V-0
Impeller: 5 blades, glass fiber reinforced plastic, rated UL94V-0
Bearing: Two ball bearings
Rotation: CCW seen on rotor
Connection: Wire lead or terminal flat pin connecting
Weight: 42g

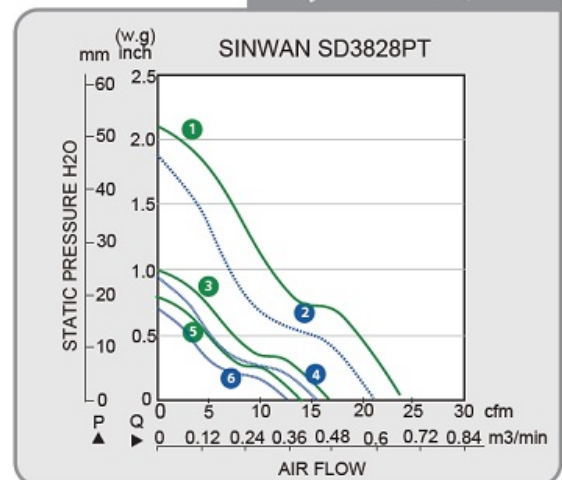
Electronical

Dielectric Strength: 500 VAC/min. Max leakage 0.5mA
Speed Control: Optional: PWM, S/C NTC thermister
Signal Output: Optional: RD Rotation Detactor, FG Frequency Generator

Environment

Operating Temp: -20C~+65C
Storage Temp: -20C~+75C (at 65%RH)
Life Expectancy: L10 - B:70K hours at 40C / Y:50K hours at 40C

► Performance P-Q Curves

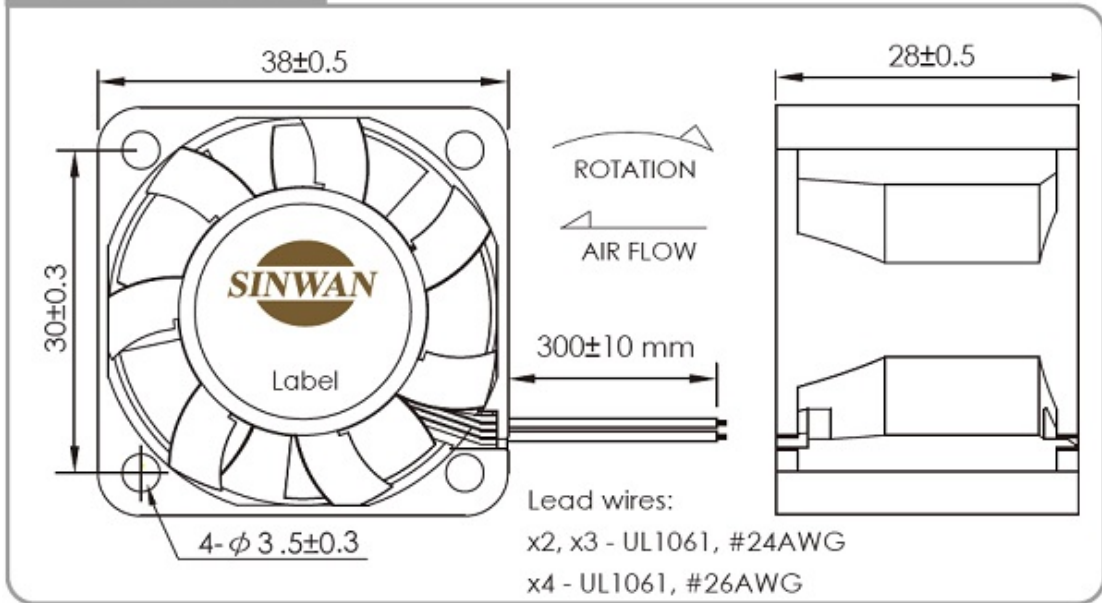


 Nomenclature

 R/D Alarm

 F/G Tach

▶ Outline Dimensions



Relevant products

