

Print page



·DC· SD280GAN



**280x280x88.9mm / 11x3.5inch**  
**1180~867 CFM**

Plastic Impeller

Model No	Rated Volt VDC	Voltage Range VDC	Input Power Watt	Rated Current Amp	Ref. Speed RPM	Max. Airflow		Max. Static Pressure		Noise Level db(A)	PQ Curves	UL
						CFM	m <sup>3</sup> /min	Inch/H <sub>2</sub> O	mm			
SD280GAN-12M**	12	9~13.5	90	7.5	2100	1011	28.6	0.63	16	55	M	<input type="checkbox"/>
SD280GAN-12L**	12	9~13.5	50	4.2	1800	867	24.6	0.55	13.97	48	L	<input type="checkbox"/>
SD280GAN-24H**	24	18~27.6	104.4	4.35	2450	1180	33.4	0.90	22.86	72	H	<input checked="" type="checkbox"/>
SD280GAN-24M**	24	18~27.6	58.8 (~72)	2.45 (~3.0)	2200	1060	30	0.65	16.51	56	M	<input checked="" type="checkbox"/>
SD280GAN-24L**	24	18~27.6	26.4 (~52.8)	1.1 (~2.2)	1800	867	24.6	0.55	13.97	48	L	<input checked="" type="checkbox"/>
SD280GAN-48H**	48	24~55	105.6	2.2	2450	1180	33.4	0.90	22.86	72	H	<input checked="" type="checkbox"/>
SD280GAN-48M**	48	24~55	57.6	1.2	2200	1060	30	0.65	16.51	56	M	<input checked="" type="checkbox"/>
SD280GAN-48L**	48	24~55	26.4	0.55	1500	722	20.4	0.50	12.7	48	L	<input checked="" type="checkbox"/>

- \*\* = "WB" for wire lead type Ball bearing, or "TB" for terminal type Ball bearing
- Sinwan reserves the right to change data and improve electrical & mechanical design without notice, data tolerance +-10%

**Motor**

Motor Type: Microprocessor brushless DC Motor, auto cutoff, auto restart  
Burnout Protection: Electronically protected, polarity protected  
IP Protection: IP55, IP67 (Optional)

**Mechanical**

Frame: Aluminum die cast, natural color(AN) or black color(AP)  
Impeller: 7 blades, glass fiber reinforced plastic, rated UL94V-0  
Bearing: Two ball bearings  
Rotation: CCW seen on rotor  
Connection: Wire lead or terminal flat pin connecting  
Weight: 2,800g (6.2 Lbs)

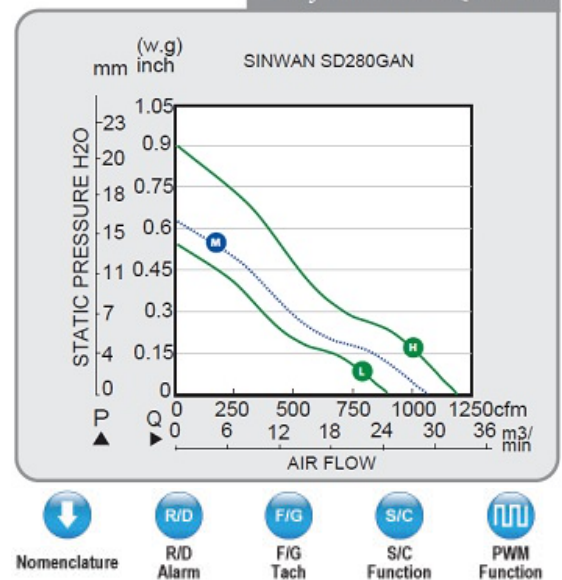
**Electronical**

Dielectric Strength: 500 VAC/min. Max leakage 0.5mA  
Speed Control: Optional: PWM, S/C NTC thermister on request  
Signal Output: Optional: R/D alarm output, tachometer output

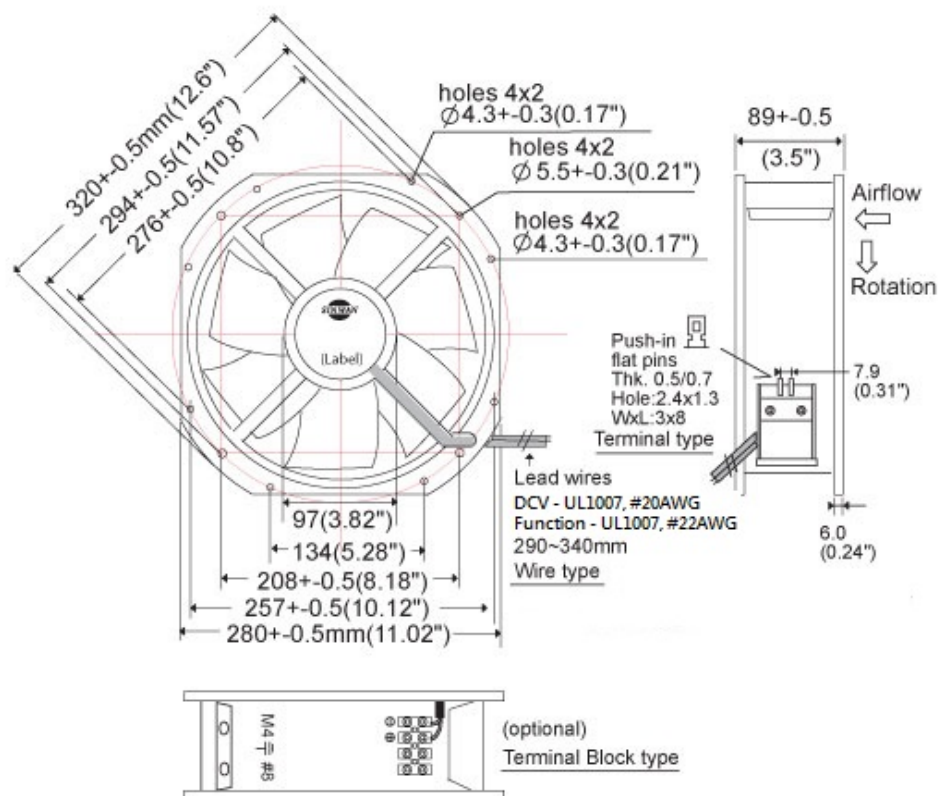
**Environment**

Operating Temp: -20C~+65C  
Storage Temp: -20C~+75C (at 65%RH)  
Life Expectancy: L10 85K hours at 35C, 40K hours at 60C

Performance P-Q Curves



▶ Outline Dimensions



Relevant products

