

Print page



**·DC· SD175SAP**



**172x150x51mm / 6.7x2inch**  
**320~125 CFM**

High performance

Model No	Rated Volt VDC	Voltage Range VDC	Input Power Watt	Rated Current Amp	Ref. Speed RPM	Max.Airflow CFM m3/min	Max.Static Pressure Inch/H2O mm	Noise Level db(A)	PQ Curves
SD175SAP-12SH**	12	8~13.8	64.8	5.4	4100	315 8.9	1.02 25.91	59	SH
SD175SAP-12HH**	12	8~13.8	50.4	4.2	3800	290 8.2	0.93 23.62	56	HH
SD175SAP-12H**	12	8~14	23	1.9	3200	230 6.5	0.75 19.05	51	H
SD175SAP-12M**	12	9~14	13.2	1.1	2500	180 5.1	0.51 12.95	42	M
SD175SAP-12L**	12	9~15	5.5	0.45	1600	125 3.5	0.35 8.89	32	L
SD175SAP-24SH**	24	15~27	63.6	2.65	4150	320 9.1	1.05 26.67	60	SH
SD175SAP-24HH**	24	15~27	50.4	2.1	3900	300 8.5	0.98 24.89	57	HH
SD175SAP-24H**	24	15~27.6	24	0.97	3300	235 6.7	0.79 20.07	52	H
SD175SAP-24M**	24	17~27.6	13	0.52	2500	180 5.1	0.51 12.95	42	M
SD175SAP-24L**	24	17~28	5	0.20	1600	125 3.5	0.35 8.89	32	L
SD175SAP-48SH**	48	22~53	62.4	1.3	4150	320 9.1	1.05 26.67	60	SH
SD175SAP-48HH**	48	22~53	49.4	1.03	3900	300 8.5	0.98 24.89	57	HH
SD175SAP-48H**	48	22~56	23.5	0.48	3300	235 6.7	0.79 20.07	52	H
SD175SAP-48M**	48	24~58	14.5	0.30	2500	180 5.1	0.51 12.95	42	M
SD175SAP-48L**	48	24~63	5.8	0.12	1600	125 3.5	0.35 8.89	32	L

- \*\* = "WB" for wire lead type Ball bearing, or "TB" for terminal type Ball bearing
- Sinwan reserves the right to change data and improve electrical & mechanical design without notice, data tolerance +-10%

**Motor**

Motor Type: Microprocessor brushless DC Motor, auto cutoff, auto restart

Burnout Protection: Electronically protected, polarity protected

IP Protection: IP55, IP56 (Optional)

**Mechanical**

Frame: Aluminum die cast, black color(AP) or natural color(AN)

Impeller: 5 blades, glass fiber reinforced plastic, rated UL94V-0

Bearing: Two ball bearings

Rotation: CW seen on rotor

Connection: Wire lead or terminal flat pin connecting

Weight: 820 g (1.8 Lbs)

**Electronical**

Dielectric Strength: 500 VAC/min. Max leakage 0.5mA

Speed Control: Optional:PWM, S/C NTC thermister, S/V (0~10V) speed control on request

Signal Output: Optional:R/D alarm output, tachometer output

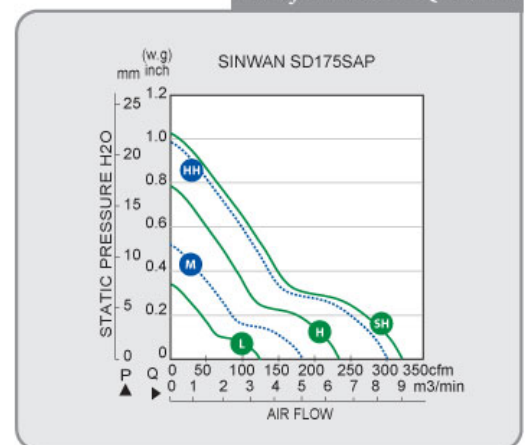
**Environment**

Operating Temp: -20C~+65C

Storage Temp: -20C~+75C (at 65%RH)

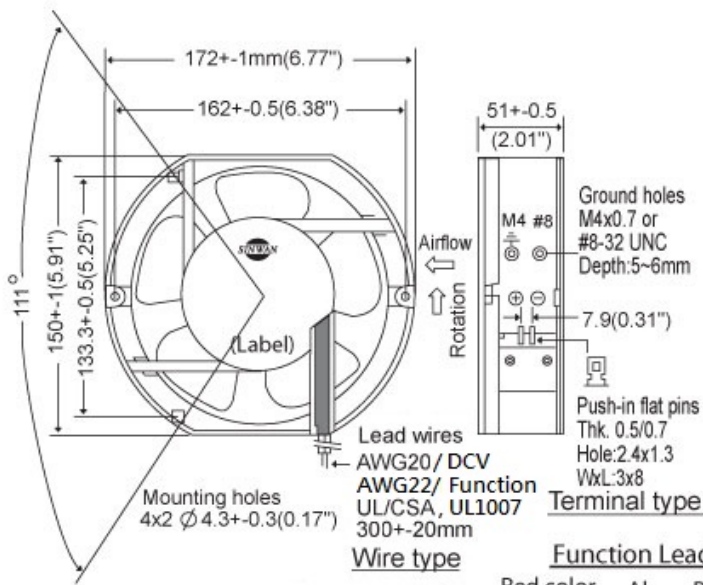
Life Expectancy: L10 90K hours at 35C, 40K hours at 60C

► Performance P-Q Curves

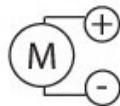


-  Nomenclature
-  R/D Alarm
-  F/G Tach
-  S/C Function
-  PWM Function

► Outline Dimensions



Wire type



Function Leads

Red color	Alarm R/D- Yellow color
5V Green	Tacho F/G- White color
12V Blue	Speed control:
24V Black	Themister NT S/C- Orange
38V Brown	Pulse W. Mod. PWM-Purple
48V Brown	Speed setting vs Vol. S/S- Gray

Relevant products



Metal Fan Guard

G172-10H, G172-10HA



Plastic Fan Guard  
G172P



Plastic Fan Filter

GRM172-30, GRM172-45



Metal Fan Screen  
MF172S-30N

