

Print page



·DC· SD175RPT



**Dia.172x51mm / 6.7x2inch**  
**225~120 CFM**

Plastic Impeller

Model No	Rated Volt VDC	Voltage Range VDC	Input Power Watt	Rated Current Amp	Ref. Speed RPM	Max.Airflow CFM	m3/min	Max.Static Pressure Inch/H2O	mm	Noise Level db(A)	PQ Curves
SD175RPT-12H**	12	8~14	23	1.9	3000	220	6.2	0.83	21.08	55	H
SD175RPT-12M**	12	8~14	13.2	1.1	2500	180	5.1	0.55	13.97	41	M
SD175RPT-12L**	12	8~15	5.5	0.45	1800	120	3.4	0.35	8.89	31	L
SD175RPT-24H**	24	15~27	24	0.97	3100	225	6.4	0.84	21.34	55	H
SD175RPT-24M**	24	15~27	13	0.52	2500	180	5.1	0.55	13.97	41	M
SD175RPT-24L**	24	16~27	5	0.20	1800	120	3.4	0.35	8.89	31	L
SD175RPT-48H**	48	22~60	23.5	0.48	3100	225	6.4	0.84	21.34	55	H
SD175RPT-48M**	48	22~60	14.5	0.30	2500	180	5.1	0.55	13.97	41	M
SD175RPT-48L**	48	22~60	5.8	0.12	1800	120	3.4	0.35	8.89	31	L

- \*\* = "WB" for wire lead type Ball bearing, or "TB" for terminal type Ball bearing
- Sinwan reserves the right to change data and improve electrical & mechanical design without notice, data tolerance +-10%

#### Motor

Motor Type: Microprocessor brushless DC Motor, auto cutoff, auto restart  
Burnout Protection: Electronically protected, polarity protected  
IP Protection: IP55, IP56 (Optional)

#### Mechanical

Frame: Plastic glass fiber reinforced thermoplastic, rated UL94V-0  
Impeller: 5 blades, glass fiber reinforced plastic, rated UL94V-0  
Bearing: Two ball bearings  
Rotation: CW seen on rotor  
Connection: Wire lead or terminal flat pin connecting  
Weight: 690 g (1.5 Lbs)

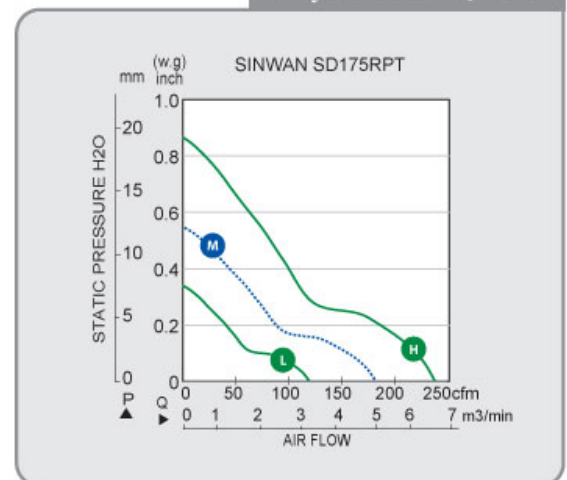
#### Electronical

Dielectric Strength: 500 VAC/min. Max leakage 0.5mA  
Speed Control: Optional:PWM, S/C NTC thermister on request  
Signal Output: Optional:R/D alarm output, tachometer output

#### Environment

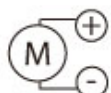
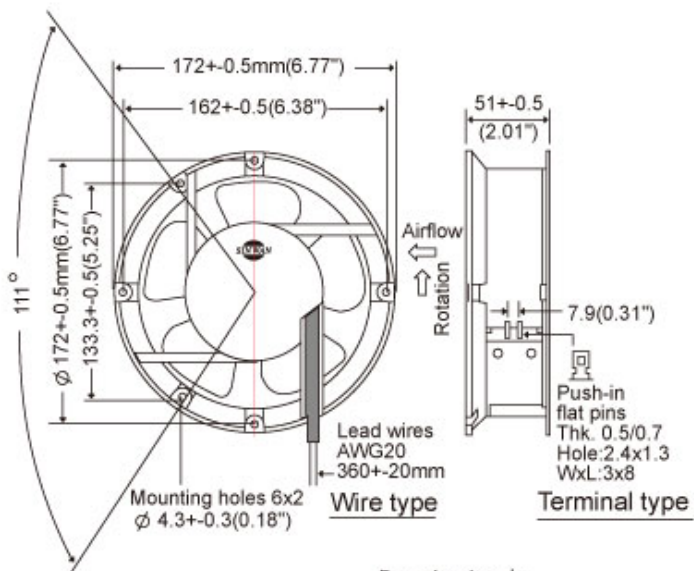
Operating Temp: -20C~+65C  
Storage Temp: -20C~+75C (at 65%RH)  
Life Expectancy: L10 85K hours at 35C, 40K hours at 55C

#### Performance P-Q Curves



 Nomenclature  
 R/D Alarm  
 FIG Tach  
 S/C Function  
 PWM Function

▶ Outline Dimensions



Function Leads	
Red color	Alarm R/D- Yellow color
5V Green	Tacho F/G- White color
12V Blue	Speed control:
24V Black	Themister NT S/C- Orange
38V Brown	Pulse W. Mod. PWM- Purple
48V Brown	Speed setting vs Vol. S/S- Gray

Relevant products



Metal Fan Guard  
G172-10H, G172-10HA



Plastic Fan Guard  
G172P



Plastic Fan Filter  
GRM172-30, GRM172-45



Metal Fan Screen  
MF172S-30N



RoHS