

Print page



·DC· SD173AP



**172x150x38.5mm / 6.7x1.5inch**  
**255~120 CFM**

Plastic Impeller

Model No	Rated Volt VDC	Voltage Range VDC	Input Power Watt	Rated Current Amp	Ref. Speed RPM	Max. Airflow CFM m3/min	Max. Static Pressure Inch/H2O mm	Noise Level db(A)	PQ Curves
SD173AP-12SH**	12	7~13.8	64.8	5.4	4400	250 7.1	0.79 20.07	59	SH
SD173AP-12HH**	12	7~13.8	50.4	4.2	4200	235 6.7	0.74 18.8	56	HH
SD173AP-12H**	12	7~13.8	23	1.9	3950	220 6.2	0.71 18.03	54	H
SD173AP-12M**	12	7~13.8	13.2	1.1	3300	190 5.4	0.51 12.95	45	M
SD173AP-12L**	12	8~14	5.5	0.45	2000	120 3.4	0.35 8.89	40	L
SD173AP-24SH**	24	15~27.6	63.6	2.65	4500	255 7.2	0.80 20.32	60	SH
SD173AP-24HH**	24	15~27.6	50.4	2.1	4250	240 6.8	0.75 19.05	57	HH
SD173AP-24H**	24	15~27.6	24	0.97	4000	225 6.4	0.73 18.54	55	H
SD173AP-24M**	24	15~27.6	13	0.52	3300	190 5.4	0.51 12.95	45	M
SD173AP-24L**	24	15~28	5	0.20	2000	120 3.4	0.35 8.89	40	L
SD173AP-48SH**	48	28~58	62.4	1.3	4500	255 7.2	0.80 20.32	60	SH
SD173AP-48HH**	48	28~58	49.4	1.03	4250	240 6.8	0.75 19.05	57	HH
SD173AP-48H**	48	28~60	23.5	0.48	4000	225 6.4	0.73 18.54	55	H
SD173AP-48M**	48	28~63	14.5	0.30	3300	190 5.4	0.51 12.95	45	M
SD173AP-48L**	48	28~63	5.8	0.12	2000	120 3.4	0.35 8.89	40	L

- \*\* = "WB" for wire lead type Ball bearing, or "TB" for terminal type Ball bearing
- Sinwan reserves the right to change data and improve electrical & mechanical design without notice, data tolerance +-10%

**Motor**

Motor Type: Microprocessor brushless DC Motor, auto cutoff, auto restart  
Burnout Protection: Electronically protected, polarity protected  
IP Protection: IP55, IP56 (Optional)

**Mechanical**

Frame: Aluminum die cast, black color(AP) or natural color(AN)  
Impeller: 5 blades, glass fiber reinforced plastic, rated UL94V-0  
Bearing: Two ball bearings  
Rotation: CW seen on rotor  
Connection: Wire lead or terminal flat pin connecting  
Weight: 750 g (1.7 Lbs)

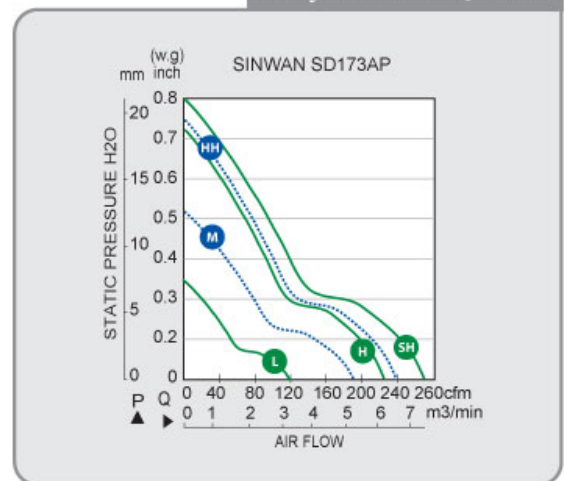
**Electronical**

Dielectric Strength: 500 VAC/min. Max leakage 0.5mA  
Speed Control: Optional: PWM, S/C NTC thermister on request  
Signal Output: Optional: R/D alarm output, tachometer output

**Environment**

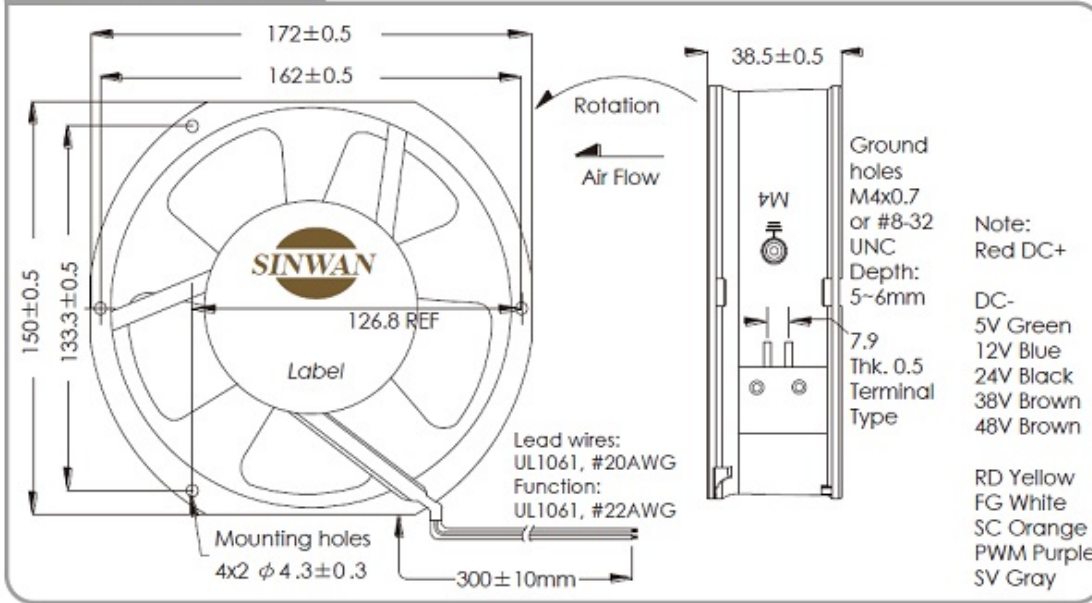
Operating Temp: -20C~+65C  
Storage Temp: -20C~+75C (at 65%RH)  
Life Expectancy: L10 90K hours at 35C, 40K hours at 60C

▶ Performance P-Q Curves



-  Nomenclature
-  R/D Alarm
-  F/G Tach
-  S/C Function
-  PWM Function

► Outline Dimensions



Relevant products



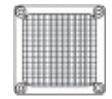
Metal Fan Guard  
G172-10H, G172-10HA



Plastic Fan Guard  
G172P



Plastic Fan Filter  
GRM172-30, GRM172-45



Metal Fan Screen  
MF172S-30N



RoHS