

Print page



·DC· SD1238PT



# 120x120x38mm / 4.7x1.5inch

## 103~65 CFM

Plastic Impeller

Model No	Rated Volt VDC	Voltage Range VDC	Input Power Watt	Rated Current Amp	Ref. Speed RPM	Max. Airflow CFM	m3/min	Max. Static Pressure Inch/H2O	mm	Noise Level db(A)	PQ Curves
SD1238PT-05H**	5	4~6	3.5	0.65	2900	85	2.4	0.28	7.11	40	4
SD1238PT-05M**	5	4~6	3.0	0.55	2400	72	2	0.18	4.57	32	6
SD1238PT-05L**	5	4~6	2.0	0.40	2000	65	1.8	0.13	3.3	26	7
SD1238PT-12H**	12	8~13.8	6.0	0.50	3000	88	2.5	0.29	7.37	42	3
SD1238PT-12M**	12	8~13.8	4.8	0.40	2500	75	2.1	0.18	4.57	33	5
SD1238PT-12L**	12	10~14	2.4	0.20	2000	65	1.8	0.13	3.3	26	7
SD1238PT-24H** (HH)	24	15~26	5.5	0.23	3350	103	2.9	0.37	9.4	45	1
SD1238PT-24H**	24	15~26	5.5	0.23	3100	90	2.5	0.31	7.87	42	2
SD1238PT-24M**	24	18~27	4.6	0.19	2550	75	2.1	0.21	5.33	33	5
SD1238PT-24L**	24	18~27.6	3.6	0.15	2000	65	1.8	0.13	3.3	26	7
SD1238PT-48H** (HH)	48	28~55	5.0	0.10	3350	103	2.9	0.37	9.4	45	1
SD1238PT-48H**	48	28~55	5.0	0.10	3100	90	2.5	0.31	7.87	42	2
SD1238PT-48M**	48	28~55.2	3.8	0.08	2550	78	2.2	0.23	5.84	33	5
SD1238PT-48L**	48	30~56	3.4	0.07	2000	65	1.8	0.13	3.3	26	7

- \*\* = "WB" for wire lead type Ball bearing, or "TB" for terminal type Ball bearing
- Sinwan reserves the right to change data and improve electrical & mechanical design without notice, data tolerance +-10%

**Motor**

Motor Type: Brushless DC Motor, auto cutoff, auto restart  
 Burnout Protection: Elctronically protected, polarity protected  
 IP Protection: IP55, IP56 (Optional)

**Mechanical**

Frame: Glass fiber reinforced thermoplastic, rated UL94V-0  
 Impeller: 5 blades, glass fiber reinforced plastic, rated UL94V-0  
 Bearing: Two ball bearings  
 Rotation: CCW seen on rotor  
 Connection: Wire lead or terminal flat pin connecting  
 Weight: 280g (0.62Lbs)

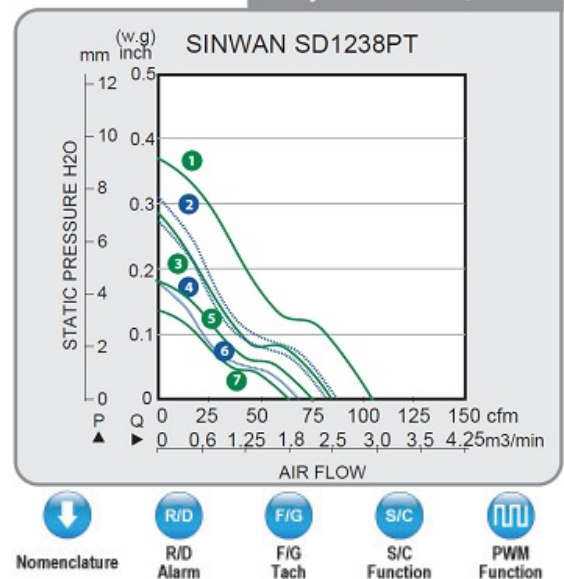
**Electronical**

Dielectric Strength: 500 VAC/min. Max leakage 0.5mA  
 Speed Control: Optional: PWM, S/C NTC thermister  
 Signal Output: Optional: RD Rotation Detactor, FG Frequency Generator

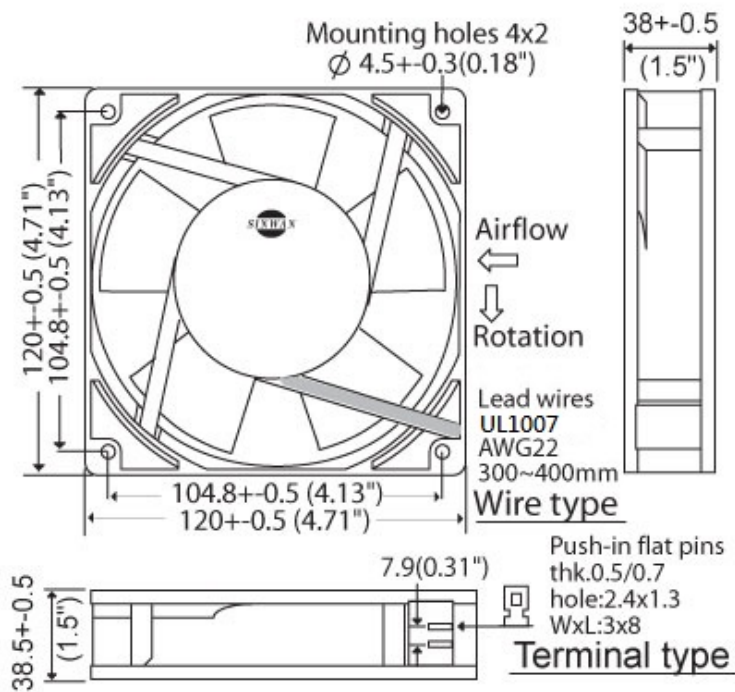
**Environment**

Operating Temp: -20C~+65C  
 Storage Temp: -20C~+75C (at 65%RH)  
 Life Expectancy: L10 65K hours at 45C, 50K hours at 65C

► Performance P-Q Curves



▶ Outline Dimensions



Relevant products



Metal Fan Guard  
 G109-15A, G109-15B,  
 G109-17



Plastic Fan Guard  
 G119P2, G119P4, G120P,  
 G120P2, G120P25F,  
 G120P4



Plastic Fan Filter  
 GRM120-30, GRM120-45



Metal Fan Screen  
 MF120S-30N



RoHS