

Print page



·DC· SD1225PT (MS4)



120x120x25mm / 4.7x1inch
88~70 CFM

Plastic Impeller

Model No	Rated Volt VDC	Voltage Range VDC	Input Power Watt	Rated Current Amp	Ref. Speed RPM	Max. Airflow CFM	m ³ /min	Max. Static Pressure Inch/H ₂ O	mm	Noise Level db(A)	PQ Curves	UL
SD1225PT-12HW (MS4)	12	6~13.2	5.4	0.45	2500	88	2.5	0.2	5.08	36	H	<input checked="" type="checkbox"/>
SD1225PT-12MW (MS4)	12	6~13.2	4.0	0.35	2200	80	2.3	0.18	4.57	31	M	<input checked="" type="checkbox"/>
SD1225PT-12LW (MS4)	12	6~13.2	2.5	0.2	1900	70	2	0.13	3.3	29	L	<input checked="" type="checkbox"/>
SD1225PT-24HW (MS4)	24	14~26.4	5.5	0.23	2500	88	2.5	0.2	5.08	36	H	<input checked="" type="checkbox"/>
SD1225PT-24MW (MS4)	24	14~26.4	4.1	0.17	2200	80	2.3	0.18	4.57	31	M	<input checked="" type="checkbox"/>
SD1225PT-24LW (MS4)	24	14~26.4	2.4	0.1	1900	70	2	0.13	3.3	29	L	<input checked="" type="checkbox"/>
SD1225PT-48HW (MS4)	48	22~55	4.5	0.09	2500	88	2.5	0.2	5.08	36	H	<input checked="" type="checkbox"/>
SD1225PT-48MW (MS4)	48	22~55	3.5	0.07	2200	80	2.3	0.18	4.57	31	M	<input checked="" type="checkbox"/>
SD1225PT-48LW (MS4)	48	22~55	2.9	0.06	1900	70	2	0.13	3.3	29	L	<input checked="" type="checkbox"/>

- ** = "WY" for wire lead type Hypro bearing
- Sinwan reserves the right to change data and improve electrical & mechanical design without notice, data tolerance +-10%

Motor

Motor Type: DC Motor
Burnout Protection: Electronically protected, Polarity protected
IP Protection: IP55, IP68 (Optional)

Mechanical

Frame: Glass fiber reinforced thermoplastic, rated UL94V-0
Impeller: 7 blades, glass fiber reinforced plastic, rated UL94V-0
Bearing: Hypro bearing
Rotation: CCW seen on rotor
Connection: Wire lead or Terminal flat pin connecting
Weight: 155g

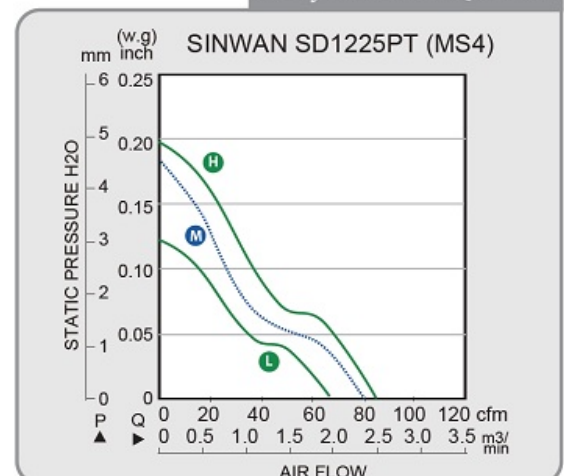
Electronical

Dielectric Strength: 500 VAC/min. Max leakage 0.5mA
Speed Control: Optional: PWM, S/C NTC thermister
Signal Output: Optional: RD Rotation Detactor, FG Frequency Generator

Environment

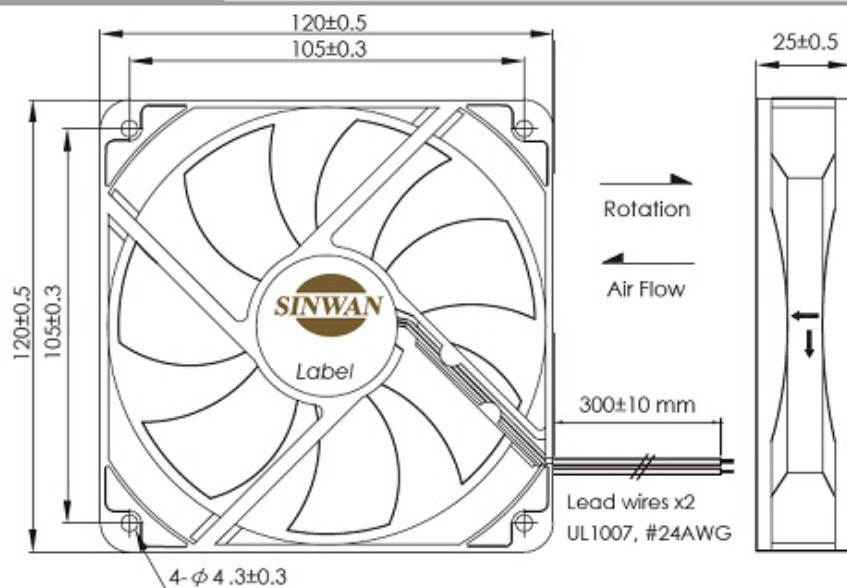
Operating Temp: -20C~+65C
Storage Temp: -20C~+75C (at 65%RH)
Life Expectancy: L10 50K hours at 40C

► Performance P-Q Curves



 Nomenclature
 R/D Alarm
 F/G Tach
 S/C Function
 PWM Function

► Outline Dimensions



Relevant products



Metal Fan Guard
G109-15A, G109-15B,
G109-17



Plastic Fan Guard
G119P2, G119P4, G120P,
G120P2, G120P25F,
G120P4



Plastic Fan Filter
GRM120-30, GRM120-45



Metal Fan Screen
MF120S-30N



RoHS