

[Print page](#)


·AC· S254AP



Dia 254x89mm/10x3.5inch 680 CFM

Sinwan Plastic Impeller Tubeaxial Fan

Model No	Rated	Voltage	Freq	Input	Ref.	Max.Airflow		Max.Static Pressure		Noise	PQ
	Volt	Range	Hz	Power	Speed	CFM	m3/min	Inch/H2O	mm	Level	
	VAC	VAC		Watt	RPM					db(A)	
S254AP-11-1**	115	100~120	50/60	60/70	2100/1950	680/630	19.3/17.8	0.51/0.39	12.95/9.91	58	2/1
S254AP-11-2**	115	100~120	50/60	40/50(~70)	1900/1700	620/560	17.6/15.9	0.32/0.26	8.13/6.6	50	4/3
S254AP-11-3**	115	100~120	50/60	25/38	1450/1550	470/510	13.3/14.4	0.31/0.24	7.87/6.1	46	6/5
S254AP-11-3**(33)	115	100~120	50/60	25/38	1000/1050	300/320	8.5/9.1	0.12/0.14	3.05/3.56	25	
S254AP-22-1**	230	200~240	50/60	60/70	2100/1950	680/630	19.3/17.8	0.51/0.39	12.95/9.91	58	2/1
S254AP-22-2**	230	200~240	50/60	40/50(~70)	1900/1700	625/560	17.7/15.9	0.32/0.26	8.13/6.6	50	4/3
S254AP-22-3**	230	200~240	50/60	26/38	1450/1550	470/510	13.3/14.4	0.31/0.24	7.87/6.1	46	6/5
S254AP-22-3**(33)	230	200~240	50/60	26/38	1100/1050	330/320	9.3/9.1	0.15/0.14	3.81/3.56	25	
S254AP-11-1/2** dual speed	115	100~120	50/60	60/70 40/50	2100/1950 1900/1700	680/630 620/560	19.3/17.8 17.6/15.9	0.51/0.39 0.32/0.26	12.95/9.91 8.13/6.6	58 50	
S254AP-11-2/3** dual speed	115	100~120	50/60	40/50 25/38	1900/1700 1600/1400	625/560 530/460	17.7/15.9 15/13	0.32/0.26 0.31/0.24	8.13/6.6 7.87/6.1	52 46	
S254AP-22-1/2** dual speed	230	200~240	50/60	60/70 40/50(~70)	2100/1950 1900/1700	680/630 625/560	19.3/17.8 17.7/15.9	0.51/0.39 0.32/0.26	12.95/9.91 8.13/6.6	58 50	
S254AP-22-2/3** dual speed	230	200~240	50/60	40/50(~70) 26/38	1950/1700	630/560	17.8/15.9	0.32/0.26	8.13/6.6	52	
S254AP-11/22-1** dual voltage	115 230	100~120 200~240	50/60	60/70	1600/1400 2100/1900	530/460 680/630	15/13 19.3/17.8	0.31/0.24 0.51/0.39	7.87/6.1 12.95/9.91	46 58	2/1

- ** = "WB" for wire lead type Ball bearing, or "TB" for terminal type Ball bearing
- 100, 200, 240V or special voltages 12, 24, 28, 38, 42, 48, 380~440~480... 50/60Hz, & dual voltage version available on request.
- Dual speed High/Medium 1/2, High/Low 1/3, Medium/Low 2/3, Low/extra Low 3/4 or triple speed 1/2/3 available on request.
- Sinwan reserves the right to change data and improve electrical or mechanical design without notice, data tolerance +-10%

Motor

Motor Type:	Capacitor induction, inner rotor, 1-phase
Burnout Protection:	Thermally protected, auto cut-off, auto reset
IP Protection:	-

Mechanical

Frame:	Aluminum die cast, black color
Impeller:	3 blades, glass fiber reinforced plastic, rated UL94V-0
Bearing:	Two ball bearings
Rotation:	CCW seen on rotor
Connection:	Wire leads or terminal flat pin
Weight:	2,100 g (4.4 Lbs)

Electronical

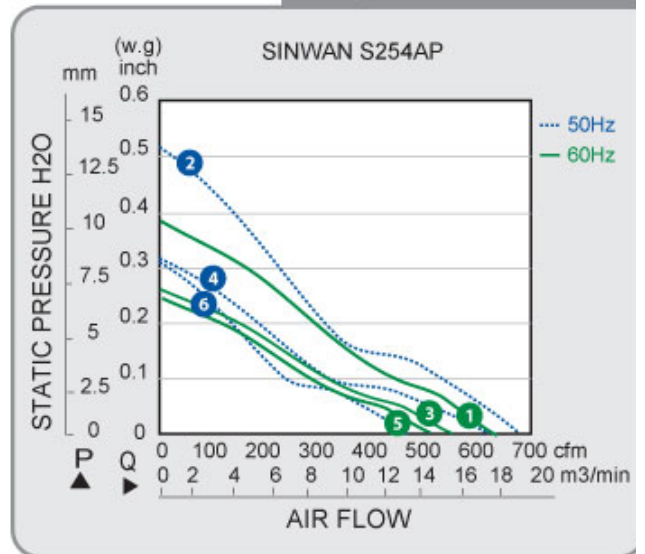
Dielectric Strength:	Over 1 min. at 1,500 VAC, 0.5mA, 50/60 Hz
Insulation Resistance:	Over 100 MΩ at DC 500V
Signal Output:	Optional:alarm R/D, tachometer F/G

Environment

Operating Temp:	Ambient non-condensing -20~+70C
Storage Temp:	-40C~+100C (at 65%RH)

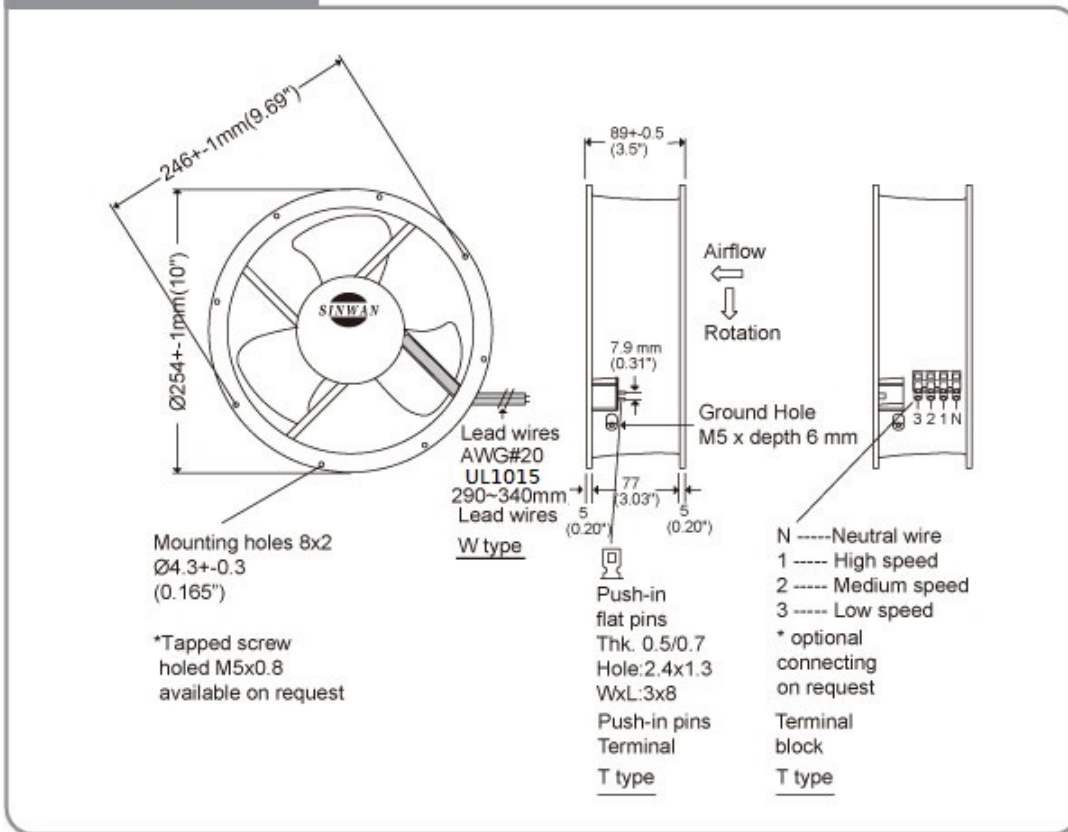
Life Expectancy: L10 80K hours at 35C, 30K hours at 60C

► Performance P-Q Curves



- 
 Nomenclature
- 
 F/G Tach
- 
 R/D Alarm
- 
 Dual Voltage
- 
 Multiple Speed

► Outline Dimensions



Relevant products



Metal Fan Guard
 G254-9D



Sinwan Electric Industries Co., Ltd.

Email: sinwanfan@sinwan.com.tw

TEL: 886-2-26620728

FAX: 886-2-26627019