

[Print page](#)
**·AC· S180FAP**

180x180x65mm/7x2.5inch

405 CFM

Sinwan Plastic Impeller Tubeaxial Fan

Model No	Rated	Voltage	Freq	Input	Ref.	Max.Airflow		Max.Static Pressure		Noise	PQ
	Volt VAC	Range VAC	Hz	Power Watt	Speed RPM	CFM	m3/min	Inch/H2O	mm	Level db(A)	
S180FAP-11-1**	115	100~120	50/60	60/70	2800/3200	355/405	10.1/11.5	0.66/0.83	16.76/21.08	60	2/1
S180FAP-11-2**	115	100~120	50/60	40/50	2400/2350	310/300	8.8/8.5	0.60/0.58	15.24/14.73	47	4/3
S180FAP-11-3**	115	100~120	50/60	26/38	1400/1650	180/210	5.1/5.9	0.38/0.43	9.65/10.92	40	6/5
S180FAP-11-3 (33)**	115	100~120	50/60	26/38	1100/950	139/120	3.9/3.4	0.28/0.23	7.11/5.84	29	
S180FAP-11-1/2**	115	100~120	50/60	60/70	2800/3200	355/405	10.1/11.5	0.66/0.83	16.76/21.08	60	2/1
dual speed				40/50	2400/2350	310/300	8.8/8.5	0.60/0.58	15.24/14.73	47	4/3
S180FAP-11-2/3**	115	100~120	50/60	40/50	2400/2350	310/300	8.8/8.5	0.60/0.58	15.24/14.73	47	4/3
dual speed				26/38	2000/1650	260/210	7.4/5.9	0.38/0.43	9.65/10.92	40	6/5
S180FAP-22-1**	230	200~240	50/60	60/70	2800/3200	355/405	10.1/11.5	0.66/0.83	16.76/21.08	60	2/1
S180FAP-22-2**	230	200~240	50/60	40/50	2400/2200	310/280	8.8/7.9	0.60/0.56	15.24/14.22	47	4/3
S180FAP-22-3**	230	200~240	50/60	26/38	1400/1650	180/210	5.1/5.9	0.38/0.43	9.65/10.92	40	6/5
S180FAP-22-3 (33)**	230	200~240	50/60	26/38	1100/950	139/120	3.9/3.4	0.28/0.23	7.11/5.84	29	
S180FAP-22-1/2**	230	200~240	50/60	60/70	2800/3200	355/405	10.1/11.5	0.66/0.83	16.76/21.08	60	2/1
dual speed				40/50	2400/2200	310/290	8.8/8.2	0.60/0.58	15.24/14.73	47	4/3
S180FAP-22-2/3**	230	200~240	50/60	40/50	2400/2350	310/300	8.8/8.5	0.60/0.58	15.24/14.73	47	4/3
dual speed				26/38	2000/1650	260/210	7.4/5.9	0.38/0.43	9.65/10.92	40	6/5
S180FAP-38-1**	380	380~420	50/60	60/70	2750/3150	350/400	9.9/11.3	0.64/0.82	16.26/20.83	60	2/1
S180FAP-11/22-1**	115	100~120	50/60	60/70	2750/3100	350/392	9.9/11.1	0.64/0.82	16.26/20.83	60	2/1
dual voltage	230	200~240									

- ** = "WB" for wire lead type Ball bearing, or "TB" for terminal type Ball bearing
- 100, 200, 240V or special voltages 12, 24, 28, 38, 42, 48, 380~440~480... 50/60Hz, & dual voltage version available on request.
- Dual speed High/Medium 1/2, High/Low 1/3, Medium/Low 2/3, Low/extra Low 3/4 or triple speed 1/2/3 available on request.
- Sinwan reserves the right to change data and improve electrical or mechanical design without notice, data tolerance +-10%

Motor

Motor Type:	Capacitor induction, inner rotor, 1-phase
Burnout Protection:	Thermally protected, auto cut-off, auto reset
IP Protection:	-

Mechanical

Frame:	Aluminum die cast, black(S180FAP)
Impeller:	5 blades, glass fiber reinforced plastic, rated UL94V-0
Bearing:	Two ball bearings
Rotation:	CW seen on rotor
Connection:	Wire leads, terminal flat pin
Weight:	1800 g (4.0 Lbs)

Electrical

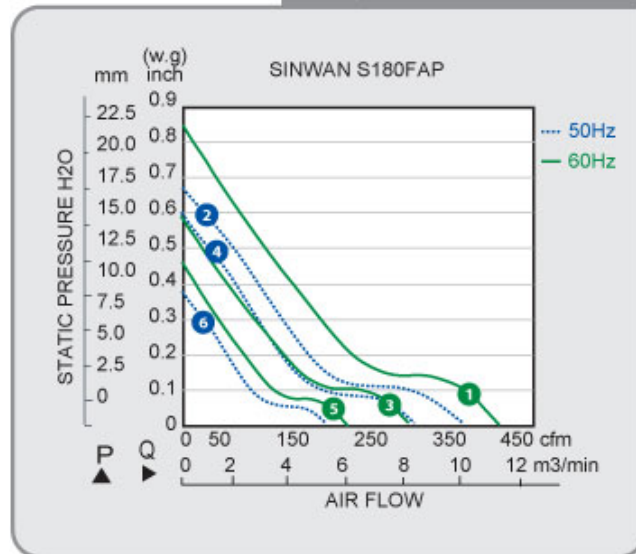
Dielectric Strength:	Over 1 min. at 1,500 VAC, 0.5mA, 50/60 Hz
Insulation Resistance:	Over 100 MΩ at DC 500V
Signal Output:	Optional:alarm R/D, tachometer F/G

Environment

Operating Temp:	Ambient non-condensing -20~+70C
Storage Temp:	-40C~+100C (at 65%RH)

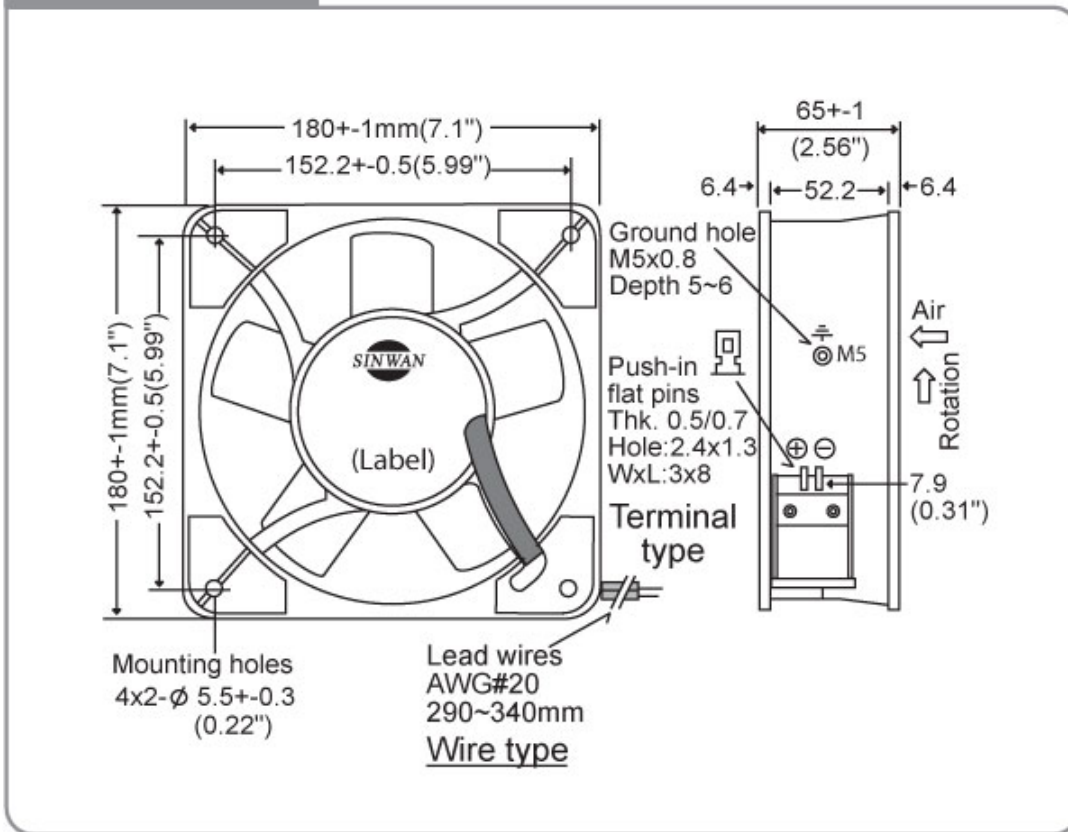
Life Expectancy: L10 90K hours at 35C, 40K hours at 60C

► Performance P-Q Curves



- 
 Nomenclature
- 
 F/G Tach
- 
 R/D Alarm
- 
 Dual Voltage
- 
 Multiple Speed

► Outline Dimensions



Relevant products

