

**·AC· S175SAP**

# 172x150x51mm/6.7x2inch

## 312 CFM

Sinwan Plastic Impeller Tubeaxial Fan

Model No	Rated Volt	Voltage Range	Freq	Input Power	Ref. Speed	Max.Airflow		Max.Static Pressure		Noise Level	PQ
	VAC	VAC	Hz	Watt	RPM	CFM	m3/min	Inch/H2O	mm	db(A)	
S175SAP-11-1**	115	100~120	50/60	59/56	2800/3100	282/312	8/8.8	0.65/0.75	16.51/19.05	60/63	2/1
S175SAP-11-2**	115	100~120	50/60	22/20	2400/2700	242/272	6.9/7.7	0.53/0.62	13.46/15.75	53/55	4/3
S175SAP-22-1**	230	200~240	50/60	59/56	2800/3100	282/312	8/8.8	0.65/0.75	16.51/19.05	60/63	2/1
S175SAP-22-2**	230	200~240	50/60	22/20	2400/2700	242/272	6.9/7.7	0.53/0.62	13.46/15.75	53/55	4/3
S175SAP-38-1**	380	380~420	50/60	59/56	2800/3100	282/312	8/8.8	0.64/0.73	16.26/18.54	60/63	2/1
S175SAP-44-1**	440	440~480	50/60	59/56	2800/3100	282/312	8/8.8	0.64/0.73	16.26/18.54	60/63	2/1
S175SAP-11/22-1**	115	100~120	50/60	59/56	2800/3100	282/312	8/8.8	0.65/0.75	16.51/19.05	60/63	2/1
Dual voltage	230	200~240									

- \*\* = "WB" for wire lead type Ball bearing, or "TB" for terminal type Ball bearing
- 100, 200, 240V or special voltages 12, 24, 28, 38, 42, 48, 380~440~480... 50/60Hz, & dual voltage version available on request.
- Dual speed High/Medium 1/2, High/Low 1/3, Medium/Low 2/3, Low/extra Low 3/4 or triple speed 1/2/3 available on request.
- Sinwan reserves the right to change data and improve electrical or mechanical design without notice, data tolerance +-10%

**Motor**

Motor Type: Capacitor induction, Inner rotor, 1-phase

Burnout Protection: Thermally protected, auto reset

IP Protection: -

**Mechanical**

Frame: Aluminum die cast, black color

Impeller: 7 blades, glass fiber reinforced plastic, rated UL94V-0

Bearing: Two ball bearings

Rotation: CCW seen on rotor

Connection: Wire leads, terminal flat pin

Weight: 1100 g (2.42 Lbs)

**Electronical**

Dielectric Strength: Over 1 min.at 1,500 VAC, 0.5mA, 50/60 Hz

Insulation Resistance: Over 100 MΩ at DC 500V

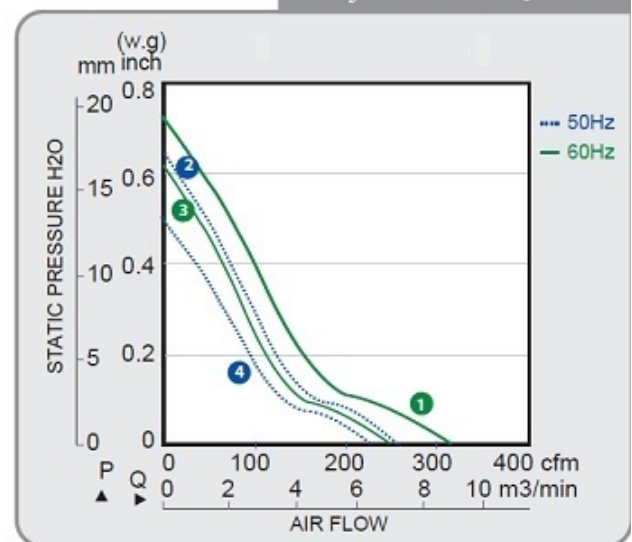
Signal Output: Optional:alarm R/D, tachometer F/G

**Environment**

Operating Temp: Ambient non-condensing -20~+70C

Storage Temp: -40C~+100C (at 65%RH)

Life Expectancy: L10 100K hours at 35C, 50K hours at 60C

**Performance P-Q Curves**

  
Nomenclature

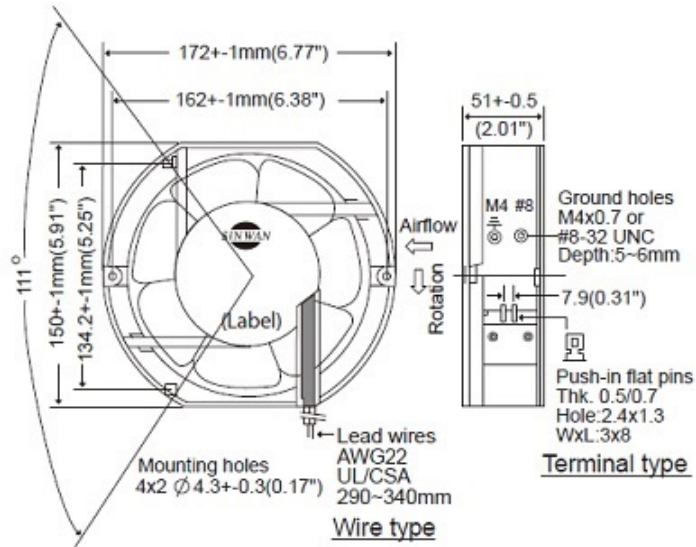

  
F/G Tach


  
R/D Alarm


  
Dual Voltage


  
Multiple Speed

### ▶ Outline Dimensions



#### Relevant products



Metal Fan Guard

G172-10H, G172-10HA



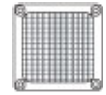
Plastic Fan Guard

G172P



Plastic Fan Filter

GRM172-30, GRM172-45



Metal Fan Screen

MF172S-30N

