

[Print page](#)
**·AC· S172RAP (7)**

172x51mm/Dia.6.8x2inch

320 CFM

Sinwan Plastic Impeller Tubeaxial Fan

Model No	Rated	Voltage	Freq	Input	Ref.	Max.Airflow		Max.Static Pressure		Noise	PQ
	Volt	Range	Hz	Power	Speed	CFM	m3/min	Inch/H2O	mm	Level	
	VAC	VAC		Watt	RPM					db(A)	
S172RAP-11-1** (7)	115	100~120	50/60	26/35 (~42)	2800/3250	270/320	7.6/9.1	0.65/0.76	16.51/19.3	61/63	2/1
S172RAP-11-2** (7)	115	100~120	50/60	22/20	2400/2700	235/270	6.7/7.6	0.53/0.63	13.46/16	54/56	4/3
S172RAP-22-1** (7)	230	200~240	50/60	26/35 (~42)	2800/3250	270/320	7.6/9.1	0.65/0.76	16.51/19.3	61/63	2/1
S172RAP-22-2** (7)	230	200~240	50/60	22/20	2400/2700	235/270	6.7/7.6	0.53/0.63	13.46/16	54/56	4/3
S172RAP-38-1** (7)	380	380~420	50/60	26/35 (~42)	2800/3200	270/310	7.6/8.8	0.65/0.74	16.51/18.8	61/63	2/1
S172RAP-44-1** (7)	440	440~480	50/60	26/35 (~42)	2800/3200	270/310	7.6/8.8	0.65/0.74	16.51/18.8	61/63	2/1
S172RAP-11/22-1** (7)	115	100~120	50/60	26/35 (~42)	2800/3250	270/320	7.6/9.1	0.65/0.76	16.51/19.3	61/63	2/1
Dual voltage	230	200~240									

- ** = "WB" for wire lead type Ball bearing, or "TB" for terminal type Ball bearing
- 100, 200, 240V or special voltages 12, 24, 28, 38, 42, 48, 380~440~480... 50/60Hz, & dual voltage version available on request.
- Dual speed High/Medium 1/2, High/Low 1/3, Medium/Low 2/3, Low/extra Low 3/4 or triple speed 1/2/3 available on request.
- Sinwan reserves the right to change data and improve electrical or mechanical design without notice, data tolerance +-10%

Motor

Motor Type: Capacitor induction, outer rotor, 1-phase

Burnout Protection: Thermal protector, auto reset

IP Protection: IP55 optional

Mechanical

Frame: Aluminum die cast, black(S172RAP)

Impeller: 7 blades, glass fiber reinforced plastic, rated UL94V-0

Bearing: Two ball bearings

Rotation: CCW seen on rotor

Connection: Wire leads, terminal flat pin

Weight: 1150 g (2.53 Lbs)

Electrical

Dielectric Strength: Over 1 min. at 1,500 VAC, 0.5mA, 50/60 Hz

Insulation Resistance: Over 100 MΩ at DC 500V

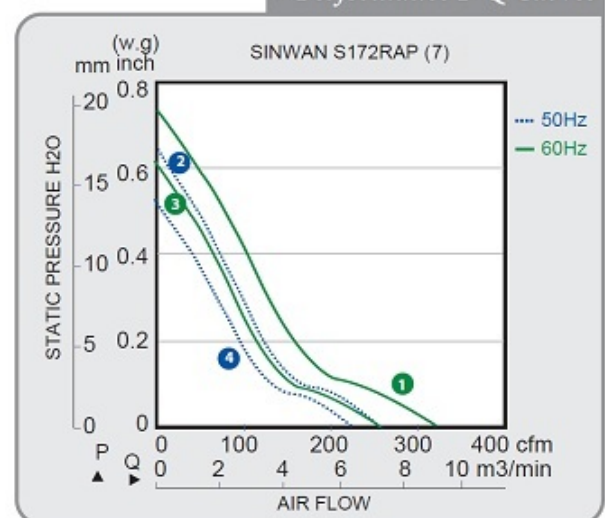
Signal Output: -

Environment

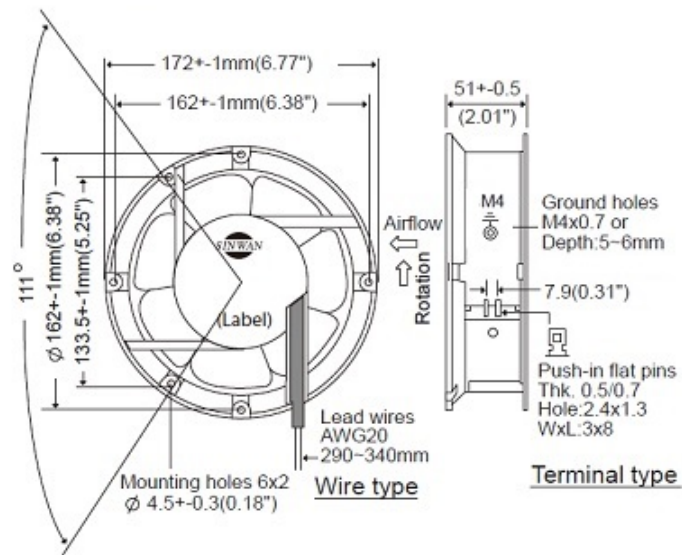
Operating Temp: Ambient non-condensing -20~+70C

Storage Temp: -40C~+100C (at 65%RH)

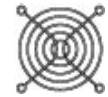
Life Expectancy: L10 100K hours at 35C, 50K hours at 60C

Performance P-Q Curves

Outline Dimensions



Relevant products



Metal Fan Guard

G172-10H, G172-10HA



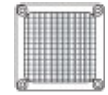
Plastic Fan Guard

G172P



Plastic Fan Filter

GRM172-30, GRM172-45



Metal Fan Screen

MF172S-30N

