

Print page



·DC· PFD250JAN



Dia.250x110mm/9.8x4.3inch 920CFM

Motorized Impeller, Backward curved blades

Model No	Rated Volt VDC	Voltage Range VDC	Input Power Watt	Rated Current Amp	Ref. Speed RPM	Max. Airflow CFM	m ³ /min	Max. Static Pressure Inch/H ₂ O	mm	Noise Level db(A)	PQ Curves
PFD250JAN-24HH**	24	16~28	177.6	7.4	2900	920	26.1	2.17	55.12	73	1
PFD250JAN-24H**	24	16~28	129.6	5.4	2600	825	23.4	1.95	49.53	67	2
PFD250JAN-48HH**	48	36~54	182.4	3.8	2900	920	26.1	2.17	55.12	73	1
PFD250JAN-48H**	48	36~54	129.6	2.7	2600	825	23.4	1.95	49.53	67	2

• Sinwan reserves the right to change data and improve electrical & mechanical design without notice, data tolerance +-10%

Motor

Motor Type:	Brushless DC motor, auto cutoff, auto restart
Burnout Protection:	Electronically protected, polarity protected
IP Protection:	-

Mechanical

Frame:	Aluminum die casting motor frame
Impeller:	PA66 Nylon Impeller
Bearing:	Two ball bearings
Rotation:	CW seen on rotor
Connection:	Wire type
Weight:	1,600g

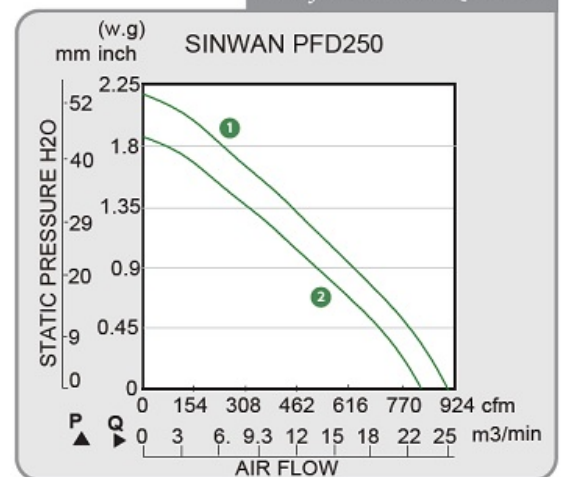
Electronical

Dielectric Strength:	500 VAC/min. Max leakage 0.5mA
Speed Control:	S/C-ntc, PWM, 0~10V S/V on request
Signal Output:	RD alarm, FG tachometer on request

Environment

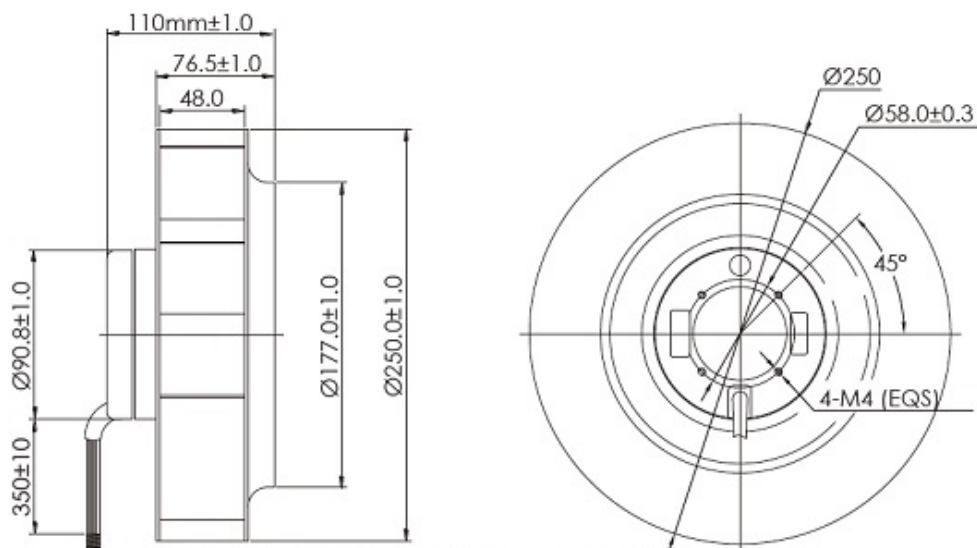
Operating Temp:	-20C~+65C
Storage Temp:	-20C~+75C (at 65%RH)
Life Expectancy:	L10 50K hours at 25C

► Performance P-Q Curves



 Nomenclature
  R/D Alarm
  F/G Tach
  S/C Function
  PWM Function

▶ Outline Dimensions



Lead wires x4: UL1430, #20AWG, DC+/GND/FG/PWM

Relevant products



Inlet nozzle/Duct ring
DR250SN

