

Print page



·DC· PFD100OPT



# Dia.100x25mm/3.9x1inch 65CFM

Motorized Impeller, Backward curved blades

Model No	Rated Volt VDC	Voltage Range VDC	Input Power Watt	Rated Current Amp	Ref. Speed RPM	Max.Airflow CFM	m3/min	Max.Static Pressure Inch/H2O	mm	Noise Level db(A)	PQ Curves	UL
PFD100OPT-12SHWB	12	7~13.2	16.8	1.4	6000	65	1.8	1.92	48.77	55	1	<input checked="" type="checkbox"/>
PFD100OPT-12HHHWP	12	7~13.2	9.0	0.75	5300	57	1.6	1.6	40.64	53	2	<input checked="" type="checkbox"/>
PFD100OPT-12HHWB	12	7~13.2	7.2	0.6	4300	42	1.2	0.9	22.86	48	3	<input checked="" type="checkbox"/>
PFD100OPT-12HWP	12	7~13.2	4.32	0.36	3000	33	0.9	0.6	15.24	41	5	<input checked="" type="checkbox"/>
PFD100OPT-24SHWB	24	14~26.4	20.4	0.85	6000	65	1.8	1.92	48.77	55	1	<input checked="" type="checkbox"/>
PFD100OPT-24HHHWP	24	14~26.4	12	0.5	5300	57	1.6	1.6	40.64	53	2	<input checked="" type="checkbox"/>
PFD100OPT-24HHWB	24	14~26.4	8.64	0.36	4300	42	1.2	0.9	22.86	48	3	<input checked="" type="checkbox"/>
PFD100OPT-48SHWB	48	28~56	16.8	0.35	6000	65	1.8	1.92	48.77	55	1	<input checked="" type="checkbox"/>
PFD100OPT-48HHHWP	48	28~56	14.4	0.3	5300	57	1.6	1.6	40.64	53	2	<input checked="" type="checkbox"/>
PFD100OPT-48HHWB	48	28~56	12.48	0.26	4300	42	1.2	0.9	22.86	48	3	<input checked="" type="checkbox"/>
PFD100OPT-48HWP	48	28~56	8.16	0.17	3300	35	1	0.63	16	43	4	<input checked="" type="checkbox"/>
PFD100OPT-48MWP	48	28~56	7.2	0.15	2800	30	0.8	0.56	14.22	35	6	<input checked="" type="checkbox"/>

- \*\* = "WB" for wire leads type, Ball bearing
- Sinwan reserves the right to change data and improve electrical & mechanical design without notice, data tolerance +-10%

**Motor**

Motor Type: Brushless DC Motor  
Burnout Protection: Electronically protected, polarity protected  
IP Protection: -

**Mechanical**

Frame: Glass fiber reinforced thermoplastic, rated UL94V-0  
Impeller: Glass fiber reinforced plastic, rated UL94V-0  
Bearing: Ball bearing  
Rotation: CW seen on rotor  
Connection: Wire leads  
Weight: 135g

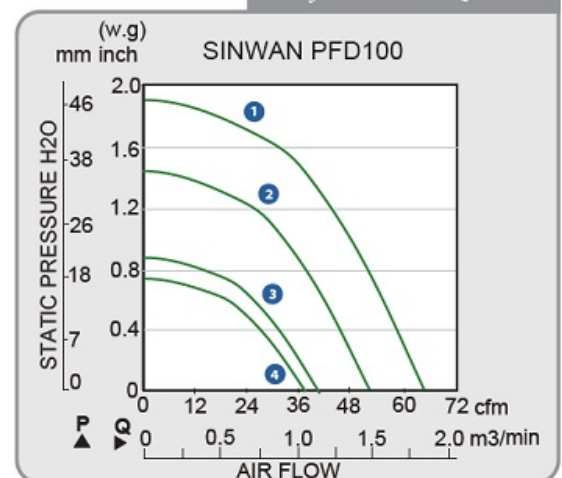
**Electronical**

Dielectric Strength: 500 VAC/min. Max leakage 0.5mA  
Speed Control: Optional: PWM, S/C NTC thermister  
Signal Output: Optional: RD Rotation Detactor, FG Frequency Generator

**Environment**

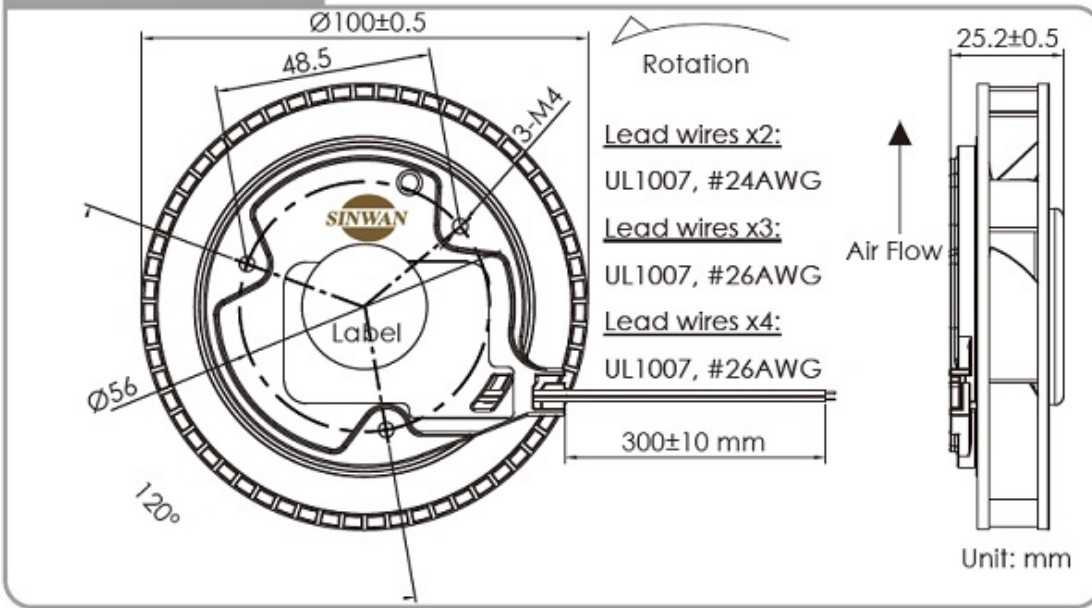
Operating Temp: -20C~+65C  
Storage Temp: -20C~+75C (at 65%RH)  
Life Expectancy: L10 70K hours at 40C

► Performance P-Q Curves



-  Nomenclature
-  R/D Alarm
-  F/G Tach
-  S/C Function
-  PWM Function

▶ Outline Dimensions



Relevant products



Inlet nozzle/Duct ring  
DR100SN



RoHS