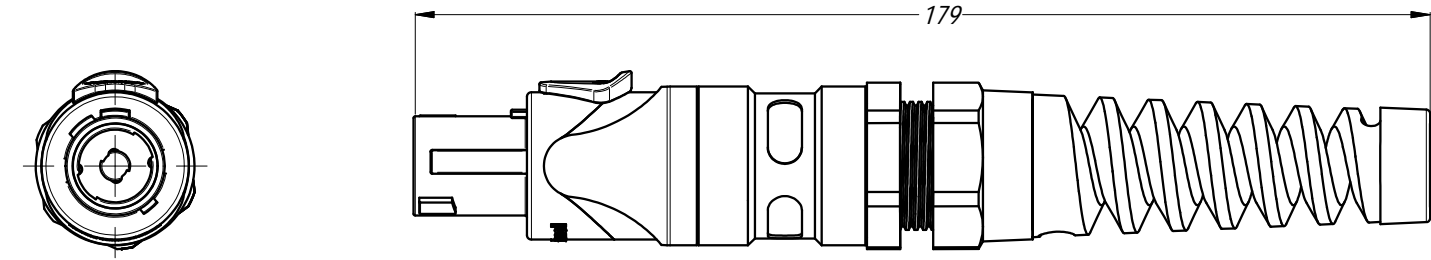
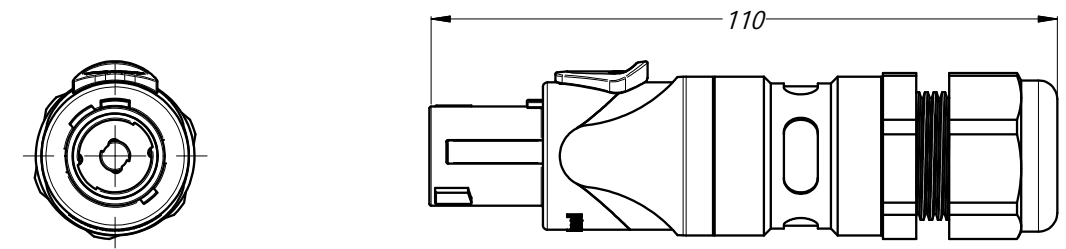


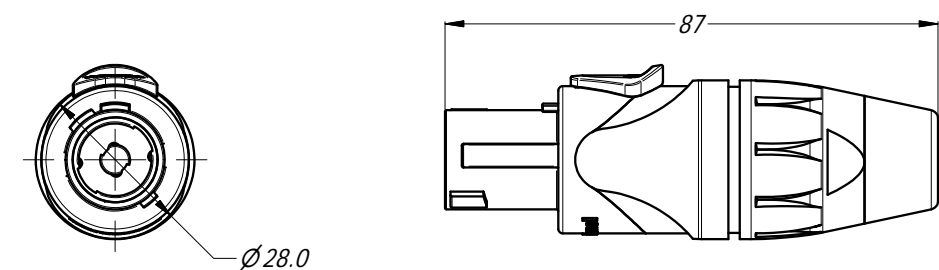
REVISION HISTORY					
REV	ZONE	DESCRIPTION	DATE	BY	ECN
1		FIRST RELEASE	30/11/11	T.N	9068



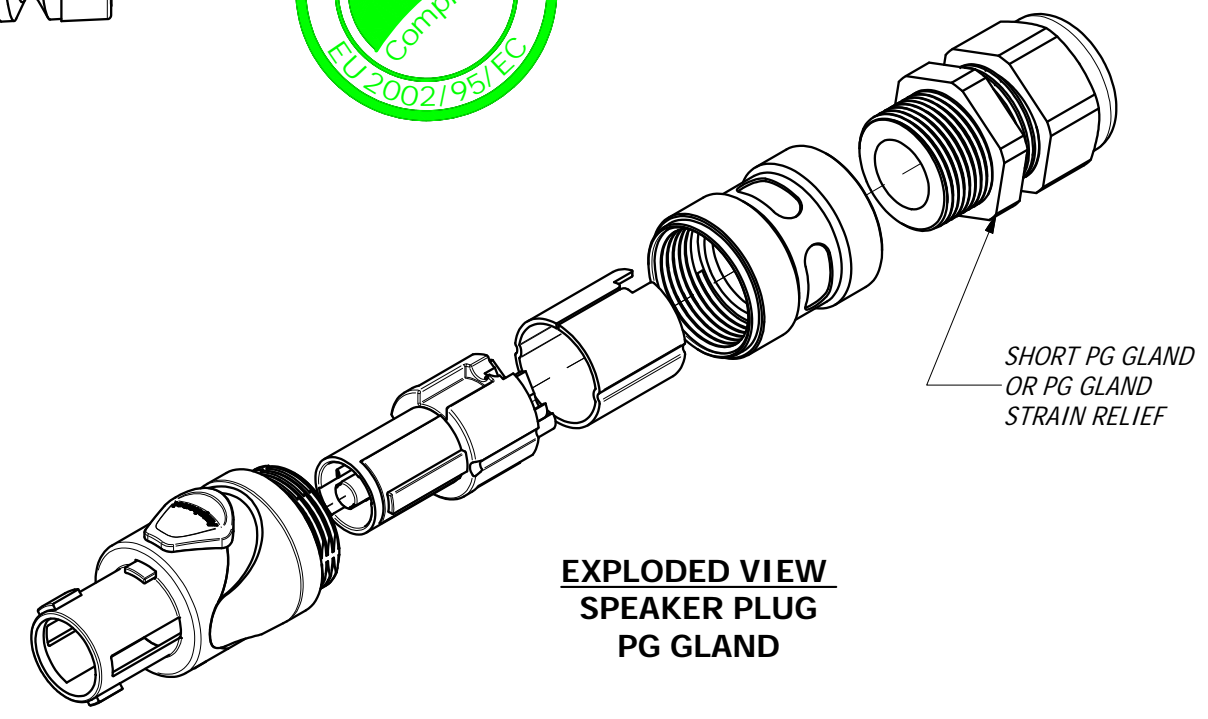
**SPEAKER PLUG
PG GLAND STRAIN RELIEF**



**SPEAKER PLUG
PG GLAND**

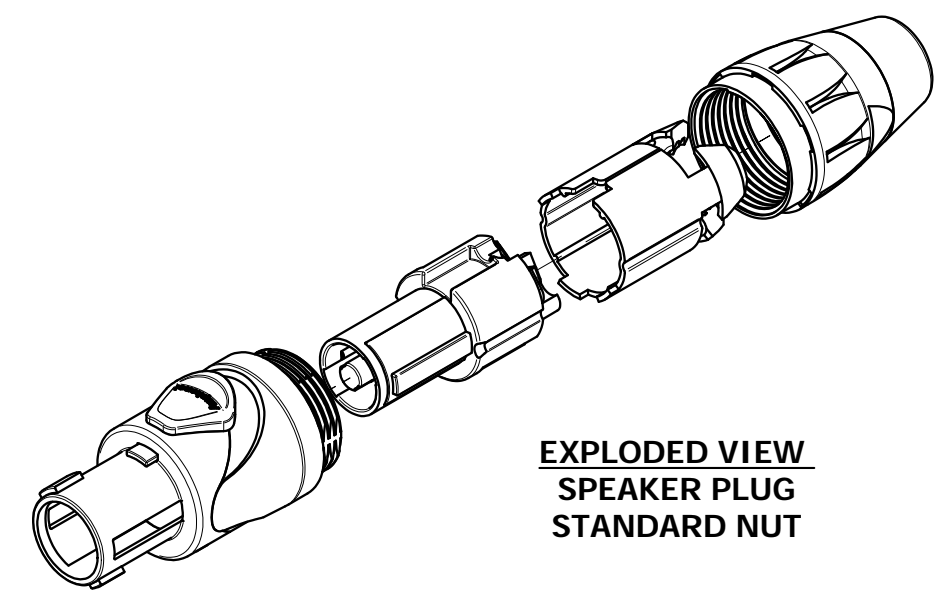


**SPEAKER PLUG
STANDARD NUT**



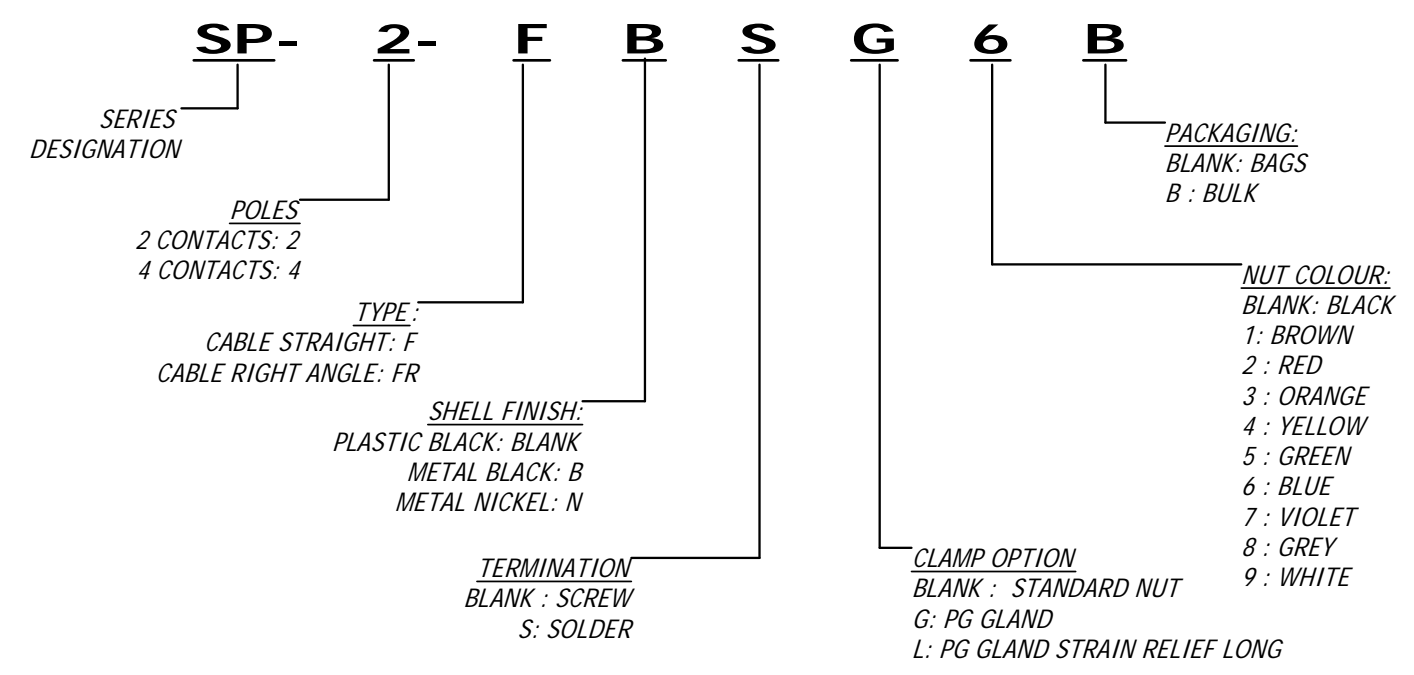
**EXPLODED VIEW
SPEAKER PLUG
PG GLAND**

SHORT PG GLAND
OR PG GLAND
STRAIN RELIEF



**EXPLODED VIEW
SPEAKER PLUG
STANDARD NUT**

PART NUMBER BREAKDOWN



UNLESS OTHERWISE SPECIFIED TOLERANCE TO BE		THIS DOCUMENT IS THE PROPERTY OF AMPHENOL AUSTRALIA PTY. LTD. NO PART THEREOF MAY BE REPRODUCED AND USED WITHOUT THE PRIOR WRITTEN CONSENT OF THE OWNER				Amphenol Amphenol Australia Pty.Ltd, 2 Fiveways Blvd, Keysborough, VIC 3173	
LINEAR	ANGULAR	MATERIAL: SEE COMPONENTS		DRN: T.N	DATE: 30/11/11	TITLE: LOUD SPEAKER CONNECTOR PLUG SP SERIES	
X ±0.5	X' ±1	FINISH:		CKD: P.M	DATE: 30/11/11	PART No: SEE P/No BREAKDOWN	
X.X ±0.1	X.X' ±30'	DO NOT SCALE		APP'D: T.N	DATE: 30/11/11	DRAWING NO. 55010772-000-2	
X.XX ±0.05	X.X'X' ±15'	DIMENSIONS IN MILIMETRES		SCALE: NTS	SIZE: A3	SHEET 2/2	
		THIRD ANGLE PROJECTION		CAD FILE: 55010772000211			