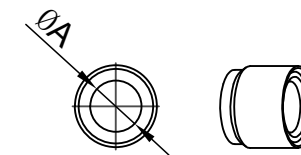
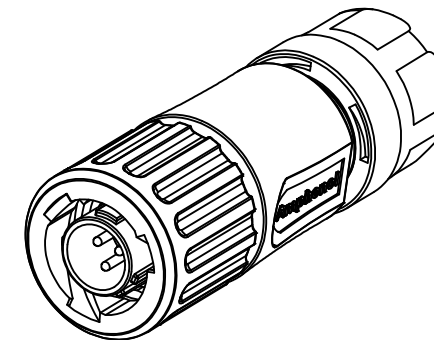
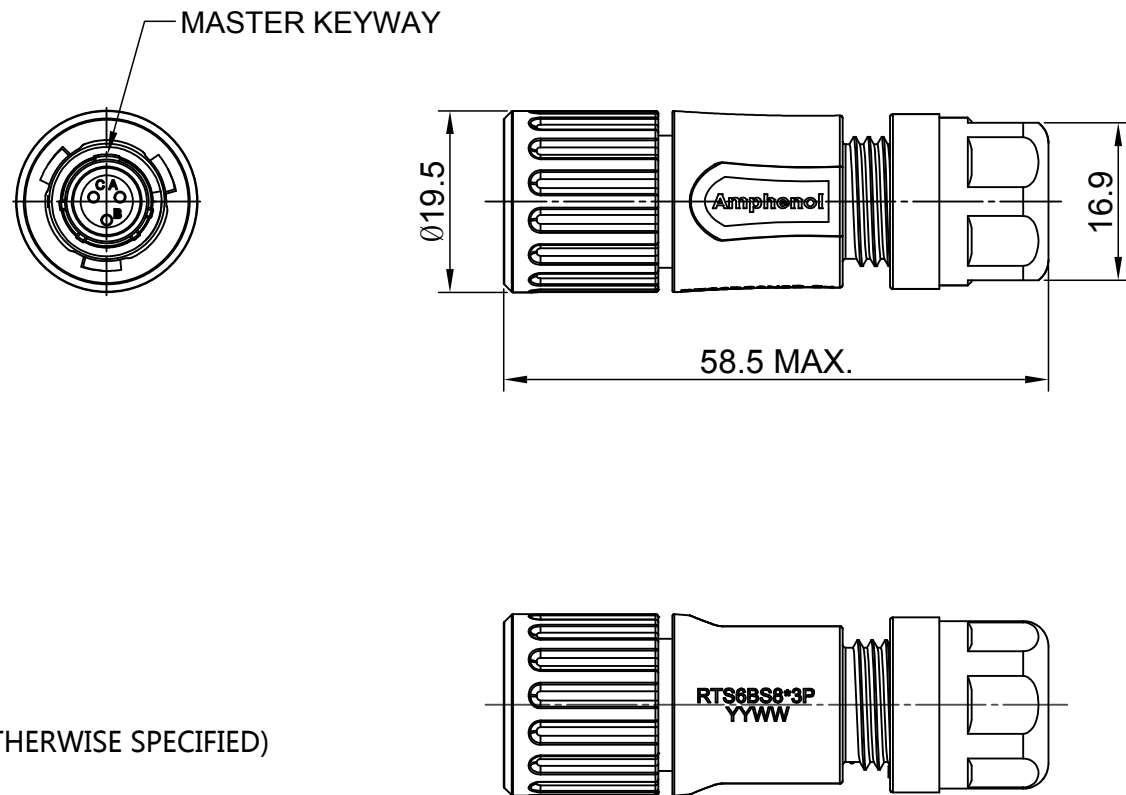


REVISIONS					
REV	ECO	DESCRIPTION	DATE	BY	APPR
A1	--	RELEASED DRAWING	Aug-09-2016	Sullen	Tommy
A2	--	UPDATE NOTES	Jun-20-2017	Nick	Tommy



NOTES : (UNLESS OTHERWISE SPECIFIED)

- MATERIAL :
 - SHELL : THERMOPLASTIC , UL94 V-0.
 - INSERT : CHLOROPRENE RUBBER.
 - COUPLING NUT : THERMOPLASTIC , UL94 V-0.
 - O-RING : NBR.
 - WASHER : SILICONE RUBBER.
 - BACK SHELL : THERMOPLASTIC , UL94 V-0.
 - CLAMP NUT : THERMOPLASTIC , UL94 V-0.
 - CLAMP RING : THERMOPLASTIC , UL94 V-0.
 - CABLE SEAL : EPDM.
 - CONTACT : COPPER ALLOY , GOLD PLATED.
- SPECIFICATIONS :
 - 2.1 RATED CURRENT : 7A (MAX).
 - 2.2 RATED VOLTAGE : 250V(AC/DC).
 - 2.3 OPERATING TEMPERATURE : -40°C ~ +105°C .
 - 2.4 DIELECTRIC WITHSTANDING VOLTAGE : LESS THAN 2 MILLIAMPS CURRENT LEAKAGE@1500 VOLTS AC.
 - 2.5 INSULATION RESISTANCE : 5000 MEGOHMS MIN.
 - 2.6 IP--CLASS : IP67 AND IP69K.
 - 2.7 MATING CYCLES DURABILITY : 500 CYCLES MIN.
 - 2.8 RoHS COMPLIANT.
- ALL DIMENSIONS ARE FOR REFERENCE USE ONLY.

KEY	DIMENSION ØA	CABLE OD RANGE
N	5.5MM	Ø1.5-5.0MM
	6.8MM	Ø2.5-6.5MM

QUANTITY	PART NUMBER	DESCRIPTION	ITEM										
MATERIALS LIST													
UNLESS OTHERWISE SPECIFIED 1) All dimensions are in metric(mm). 2) Tolerances are as follows: 1 PL DEC ±0.30 Fractions ±1/64 2 PL DEC ±0.15 Angles ±1° 3 PL DEC ±0.08		<table border="1"> <thead> <tr> <th>SIGNATURES</th> <th>DATE</th> </tr> </thead> <tbody> <tr> <td>DRAWN: Nick</td> <td>Jun-20-2017</td> </tr> <tr> <td>CHECKED: Tod</td> <td>Jun-20-2017</td> </tr> <tr> <td>ENGINEER:</td> <td></td> </tr> <tr> <td>APPROVAL: Tommy</td> <td>Jun-20-2017</td> </tr> </tbody> </table>		SIGNATURES	DATE	DRAWN: Nick	Jun-20-2017	CHECKED: Tod	Jun-20-2017	ENGINEER:		APPROVAL: Tommy	Jun-20-2017
SIGNATURES	DATE												
DRAWN: Nick	Jun-20-2017												
CHECKED: Tod	Jun-20-2017												
ENGINEER:													
APPROVAL: Tommy	Jun-20-2017												
MATERIAL SPECIFICATIONS:		<p style="text-align: center;">Amphenol</p> <p>Sine Systems - www.amphenol-sine.com 44724 Morley Drive Clinton Township, MI 48036</p>											
PROCESS SPECIFICATIONS:		<p>ECO-MATE,PLUG CONNECTOR SIZE 8,3POS,PIN</p>											
NEXT ASSY:		<p>THIS DRAWING IS SUPPLIED FOR INFORMATION ONLY. DESIGN FEATURES, SPECIFICATIONS AND PERFORMANCE DATA SHOWN HEREON ARE THE PROPERTY OF THE AMPHENOL CORPORATION. NO RIGHTS OF REPRODUCTION ARE IMPLIED. ALL DIMENSIONS ARE SUBJECT TO NORMAL MANUFACTURING VARIATIONS.</p>											
SCALE: NONE		SIZE: B C- TYPE: NONE DWG NO: RTS6BS8*3P REVISION: A2	SHEET 1 OF 1										

TITLE: ECO-MATE PLUG CONNECTOR, SIZE 8,3POS,PIN
DWG NO: RTS6BS8*3P
REV: A2
SH: 1
OF: 1