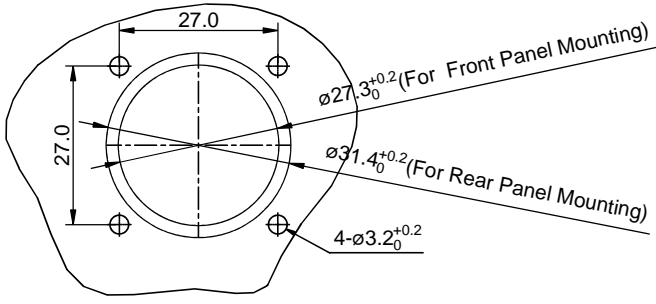
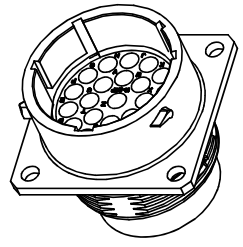
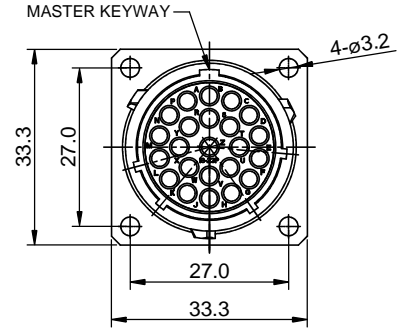
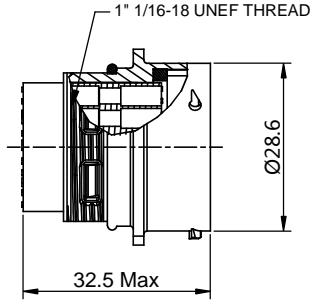


REVISIONS					
REV	ECO	DESCRIPTION	DATE	BY	APPR
B1	-	RELEASED DRAWING	JUN-23-2014	BEN	TOMMY



KEY POS	PART NUMBER
N	RT001823PNH
W	RT001823PWH
X	RT001823PXH
Y	RT001823PYH
Z	RT001823PZH

- NOTES : (UNLESS OTHERWISE SPECIFIED)**
- MATERIAL :**
 SHELL : ZINC ALLOY , NICKEL PLATED.
 INSERT : THERMOPLASTIC , UL94 V-0.
 O-RING : NBR.
 SEAL GASKET : NBR.
 - SPECIFICATIONS :**
 2.1 RATED CURRENT : 13A (MAX).
 2.2 RATED VOLTAGE : 300V (AC/DC).
 2.3 OPERATING TEMPERATURE : -40°C ~ +105°C.
 2.4 DIELECTRIC WITHSTANDING VOLTAGE : LESS THAN
 2 MILLIAMPS CURRENT LEAKAGE@2000 VOLTS AC.
 2.5 INSULATION RESISTANCE : 5000 MEGOHMS MIN.
 2.6 IP--CLASS : IP67.
 2.7 MATING CYCLES DURABILITY : 500 CYCLES MIN.
 2.8 ROHS COMPLIANT.
 - SUITABLE CONTACTS : 16# CONTACTS.**
 - ALL DIMENSIONS ARE FOR REFERENCE USE ONLY.**

PANEL CUT OUT REFERENCE

QUANTITY	SEE PART NUMBER CHART	DESCRIPTION	ITEM
MATERIALS LIST			
UNLESS OTHERWISE SPECIFIED 1) All dimensions are in metric(mm). 2) Tolerances are as follows: 1 PL DEC ±0.30 Fractions ±1/64 2 PL DEC ±0.15 Angles ±1° 3 PL DEC ±0.08 3) Note reference =		SIGNATURES DATE DRAWN: BEN JUN-23-2014 CHECKED: _____ ENGINEER: _____ APPROVAL: _____	
MATERIAL SPECIFICATIONS: CUSTOMER: _____		 Sine Systems - www.amphenol-sine.com 44724 Morley Drive Clinton Township, MI 48036	
PROCESS SPECIFICATIONS: THIS DRAWING IS SUPPLIED FOR INFORMATION ONLY. DESIGN FEATURES, SPECIFICATIONS AND PERFORMANCE DATA SHOWN HEREON ARE THE PROPERTY OF THE AMPHENOL CORPORATION. NO RIGHTS OF REPRODUCTION ARE IMPLIED. ALL DIMENSIONS ARE SUBJECT TO NORMAL MANUFACTURING VARIATIONS.		SIZE TYPE DWG NO. B C- RT001823P*H	REVISION B1
NEXT ASSY:		SCALE SHEET OF NONE 1 1	

TITLE: ECO-MATE RECEPTACLE SIZE 18,23POS. PIN. DWG NO.: RT001823P*H REV: B1 SH: 1 OF: 1