

1

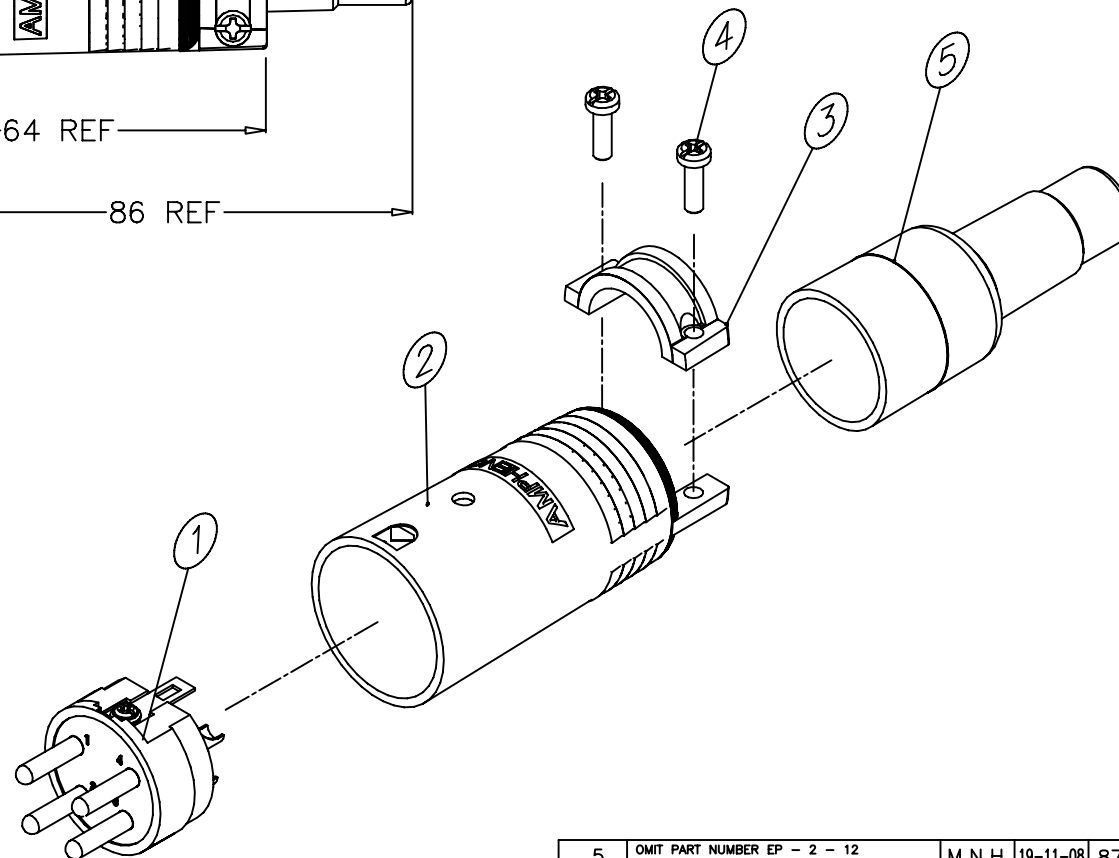
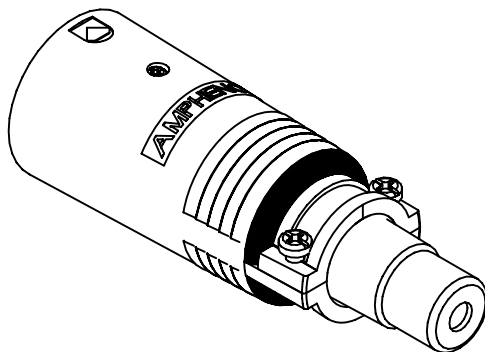
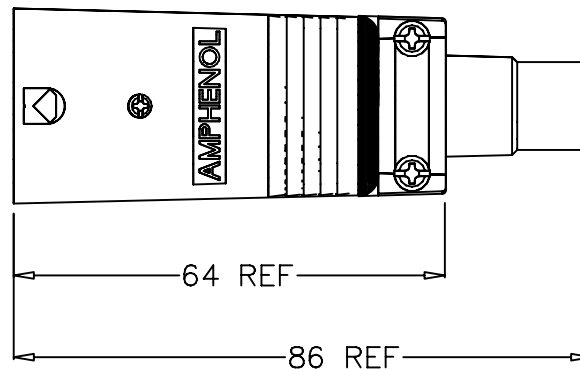
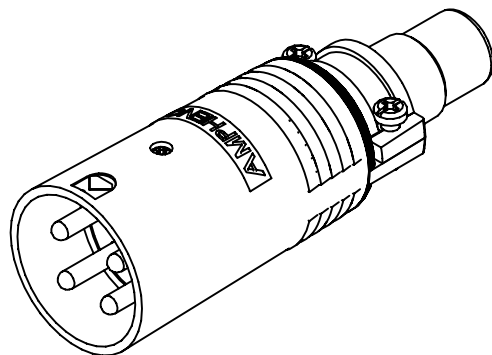
2

3

4

5

6



EP-* - 12 TYPE	EP/AP INSERT P/N
EP - 3 - 12	156-4402-003
EP - 4 - 12	156-4402-004
EP - 5 - 12	156-4402-005
EP - 6 - 12	156-4402-006
EP - 8 - 12	156-4402-008

NOTE: 1. FOR EXAMPLE: FOR AN EP-4-12 USE ASSY No. 128036-0004

ITEM	PART No.	DWG No.	DESCRIPTION	QTY
5	012-4026-00*	012-4026-00*	EP BUSHING	1
4	990-4094-000	990-4094-000	CABLE CLAMP SCREW FOR EP	2
3	026-4016-000	026-4016-000	EP 11 & 12 CLAMP	1
2	248-4109-00*	248-4109-00*	EP 12 SHELL, LONG VERSION	1
1	SEE TABLE	SEE TABLE	EP/AP PIN INSULATOR ASSEMBLY	1

UNLESS OTHERWISE SPECIFIED TOLERANCE TO BE		THIS DOCUMENT IS THE PROPERTY OF AMPHENOL AUSTRALIA PTY. LTD. NO PART THEREOF MAY BE REPRODUCED AND USED WITHOUT THE PRIOR WRITTEN CONSENT OF THE OWNER			
LINEAR	ANGULAR	CAD FILE: 00807105	DRN: J.R.H.	DATE: 02-09-88	TITLE: EP-* - 12 CUSTOMER DRAWING
X ± 0.50	X' ± 1°	MATL: REFER TO COMPONENT	CKD: M.H.	DATE: 19-11-08	Amphenol Australia Pty Ltd, 2 Fireways Blvd, Keysborough, Vic 3173
X.X ± 0.25	X'X' ± 30'	DO NOT SCALE	APP'D: P.M.	DATE: 19-11-08	DRAWING NO. 126036-000*
X.XX ± 0.10	X'X'X' ± 15'	FINISH: REFER TO COMPONENT	SCALE: 2:1 UOS	PART No: SEE TABLE	SHEET 1 OF 1

REV.	CHANGE DETAILS	BY	DATE	CHG/No
5	OMIT PART NUMBER EP - 2 - 12 PRODUCT OBSOLETE	M.N.H.	19-11-08	8784
4	UPDATE TO AMPHENOL TITLE BLOCK & LOGO REDRAW, ADD BOM & 3D VIEWS	M.N.H.	18-04-01	7785
3	REFER TO CHANGE NOTE 6253	R.D.	14-09-95	6253
2	REFER TO CHANGE NOTE 5662	A.W.	08-12-92	5662
0	FIRST ISSUE	J.R.H.	02-09-88	----

1

2

3

4

5

6