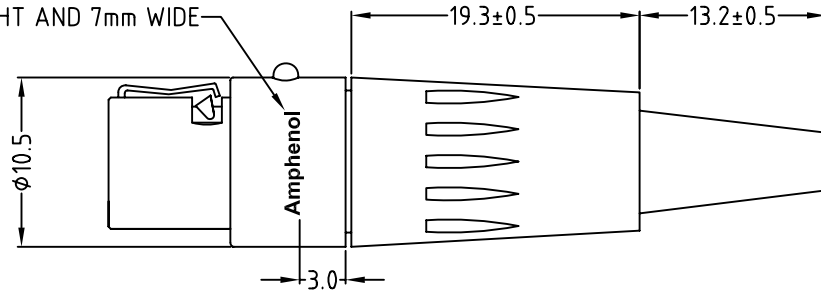
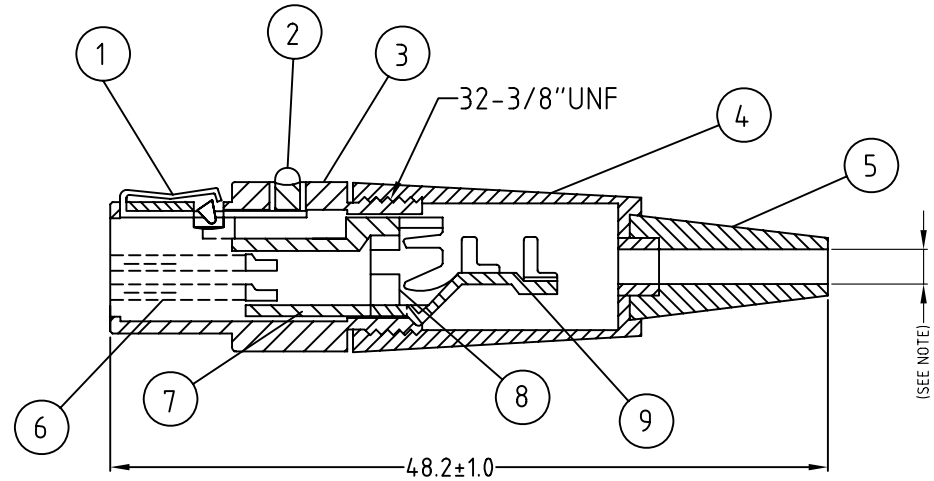


Amphenol LOGO TO BE ARIAL BOLD
IN 2mm HEIGHT AND 7mm WIDE



No. CONTACT	PART No.	CABLE ENTRY (mm)
3 POLE	AG3F	3.5 DIAM GROMMET
4 POLE	AG4F	3.5 DIAM GROMMET
5 POLE	AG5F	3.5 DIAM GROMMET
6 POLE	AG6F	3.5 DIAM GROMMET



ITEM	MATERIAL
1	SUS(AISI-301)
2	ABS-BLACK
3	BRASS-NICKEL PLATED
4	ABS-BLACK
5	PVC-BLACK
6	PHOSPHOR BRONZE-GOLD PLATED
7	PPS-BLACK
8	ABS-BLACK
9	BRONZE-NICKEL PLATED

A-A SECTION

NOTE: SEE TABLE FOR STANDARD CABLE ENTRY. CONTACT FACTORY FOR ALTERNATIVE

UNLESS OTHERWISE SPECIFIED TOLERANCE TO BE		THIS DOCUMENT IS THE PROPERTY OF AMPHENOL AUSTRALIA PTY. LTD.. NO PART THEREOF MAY BE REPRODUCED AND USED WITHOUT THE PRIOR WRITTEN CONSENT OF THE OWNER				REV.		
LINEAR	ANGULAR	CAD FILE:	DRN:	DATE:	TITLE:	BY	DATE	CHG/No
X ± 0.5	X° ± 1°	55010459000112	M.N.H	15-06-07	MINI XLR LINE FEMALE CUSTOMER DRAWING	M.H	23-08-11	9044
X.X ± 0.1	X°X' ± 30'	MATL: SEE NOTES	CKD: M.H.	DATE: 23-08-11	20 Industry Boulevard, Carrumdowns, Vic 3201	M.H	19-01-09	----
X.XX ± 0.05	X°X'X" ± 15'	DO NOT SCALE	APP'D: P.M	DATE: 23-08-11	DRAWING NO.	M.N.H	15-06-07	----
DIMENSIONS IN MILLIMETRES		FINISH: SEE NOTES	SCALE: NTS	PART No: REFER TO CHART	SIZE: A4	Amphenol		
						55010459-000-1		
						SHEET 1 OF 1		