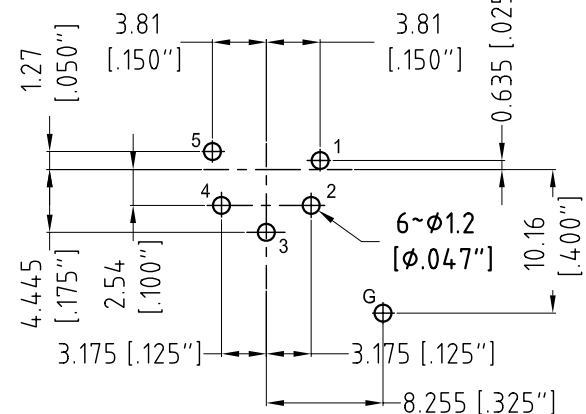
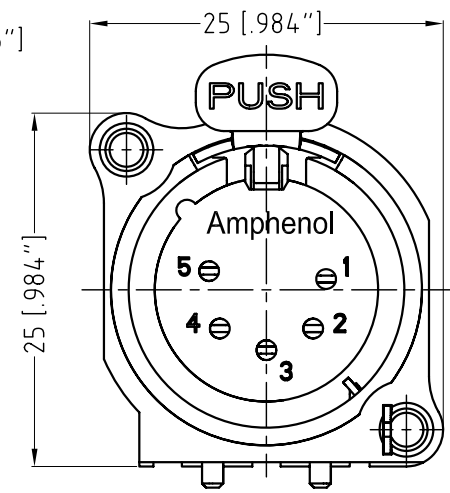
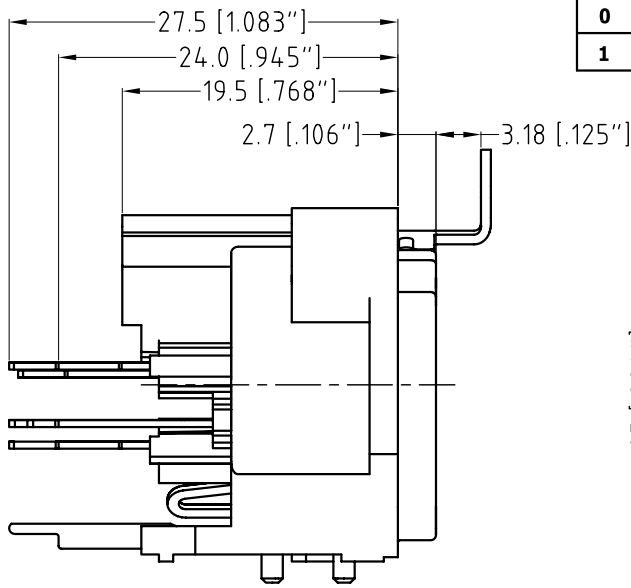
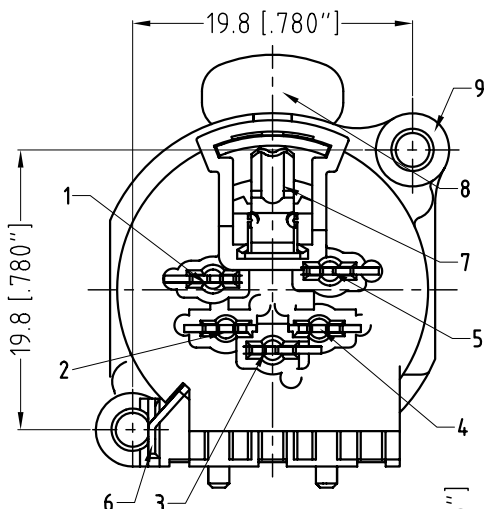


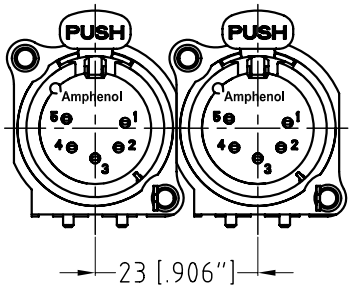
LEGEND  = KEY PRODUCT CHARACTERISTICS

REVISION HISTORY

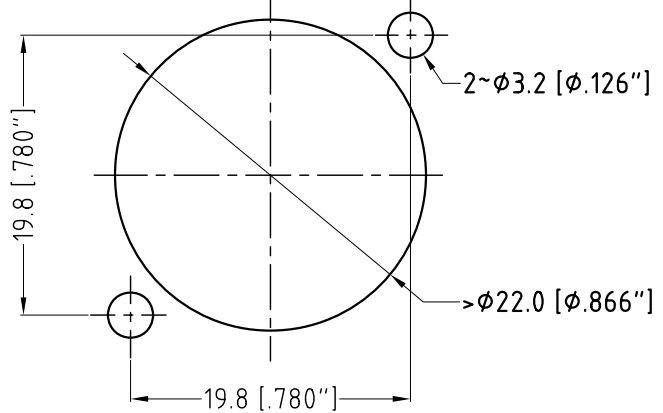
REV	DESCRIPTION	DATE	BY	CHG/No
0	FIRST ISSUED	21-08-08	M.H	---
1	ADD -B TO PN	26-08-15	M.H	---



PCB-LAYOUT
COMPONENT SIDE
TOLERANCE ±0.05mm[.002"]



(SCALE 1:2)



PANEL CUT OUT
REAR VIEW

NO.	PART NAME	QTY	MATERIAL(THICK,COLOR)	REMARK
9	BODY	1	NYLON(PA66 G20) 94HB BLACK	RoHS COMPLIANT
8	PUSH TERMINAL	1	H62Y t=0.8 (C2680R-H)	NI-PLATED RoHS COMPLIANT
7	SLEEVE	1	STEEL (65Mn) t=0.4	NI-Sn-PLATED RoHS COMPLIANT
6	EARTHING-TERMINAL	1	H62Y t=0.5 (C2680R-H)	NI-Sn-PLATED RoHS COMPLIANT
5	5#-TERMINAL	1	H62 Y t=0.5 (C2680R-H)	AU-PLATED RoHS COMPLIANT
4	4#-TERMINAL	1	H62 Y t=0.5 (C2680R-H)	AU-PLATED RoHS COMPLIANT
3	3#-TERMINAL	1	H62 Y t=0.5 (C2680R-H)	AU-PLATED RoHS COMPLIANT
2	2#-TERMINAL	1	H62 Y t=0.5 (C2680R-H)	AU-PLATED RoHS COMPLIANT
1	1#-TERMINAL	1	H62 Y t=0.5 (C2680R-H)	AU-PLATED RoHS COMPLIANT

UNLESS OTHERWISE SPECIFIED TOLERANCE TO BE		THIS DOCUMENT IS THE PROPERTY OF AMPHENOL AUSTRALIA PTY. LTD. NO PART THEREOF MAY BE REPRODUCED AND USED WITHOUT THE PRIOR WRITTEN CONSENT OF THE OWNER			
LINEAR	ANGULAR				
X ±0.5	X' ±1	MATERIAL:	DRN: A.0	DATE: 21-08-08	TITLE:
X.X ±.1	X.X' ± 30°	REFER TO COMPONENTS	CKD: M.H	DATE: 25-08-15	AC5FAV-AU-B
X.XX ± .05	X.XX' ± 15°	BREAK ALL SHARP EDGES AND REMOVE ALL BURRS	APP'D: P.M	DATE: 25-08-15	VERTICAL FEMALE
DO NOT SCALE		FINISH: REFER TO COMPONENTS	SCALE: 1:1	SIZE: A4	PRODUCTION DRAWING
DIMENSIONS IN MILLIMETRES		THIRD ANGLE PROJECTION		CAD FILE: 55010447000221	

Amphenol Amphenol Australia Pty.Ltd, 22 Industry Blvd, Carrum Downs, VIC 3201	
TITLE: AC5FAV-AU-B VERTICAL FEMALE PRODUCTION DRAWING	PART No: AC5FAV-AU-B
DRAWING NO. 55010447-000-2	SHEET 2/2