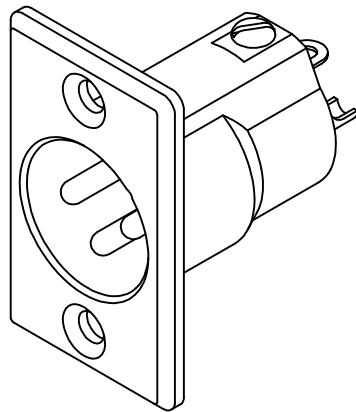


PANEL CUT OUT



ISO VIEW

AC*MPNZ	INSERT No.
AC3MPNZ	156-4066-*00
AC3MMPNZ	156-4068-*00
AC4MPNZ	156-4069-*00
AC5MPNZ	156-4070-*00
AC6AMPNZ	156-4071-*00
AC7MPNZ	156-4072-*00

REV.	CHANGE DETAILS	BY	DATE	CHG/No
3	UPDATE TO AMPHENOL TITLE BLOCK & LOGO ADD SHEET 2 OF 2 FOR CUSTOMER DRAWING	L.V	02-10-01	7870
2	UPDATE TO AMPHENOL TITLE BLOCK & LOGO INCLUDE THE CONNECTOR PART & INSERT NO.	M.N.H.	14-06-01	7816
0	FIRST ISSUE	R.D	03-10-95	----

UNLESS OTHERWISE SPECIFIED TOLERANCE TO BE		THIS DOCUMENT IS THE PROPERTY OF AMPHENOL AUSTRALIA PTY. LTD.. NO PART THEREOF MAY BE REPRODUCED AND USED WITHOUT THE PRIOR WRITTEN CONSENT OF THE OWNER				TITLE:		Amphenol	
LINEAR	ANGULAR	CAD FILE:	DRN:	DATE:	DATE:	DATE:	DRAWING NO.	SHEET	
X ± 1	X' ± 1'	00820103	R.D	03-10-95	24-10-01	29-10-01	128460-0000	2 of 2	
X.X ± 0.5	X'X' ± 30'	MATL: REFER TO COMPONENT	M.N.H						
X.XX ± 0.10	X'X'X' ± 15'	FINISH: REFER TO COMPONENT	P.M						
DO NOT SCALE		THIRD ANGLE PROJECTION		SCALE: 2:1 UOS	PART No: 128460-0000		SIZE: A3	128460-0000	

Amphenol	
Amphenol Australia Pty Ltd, 2 Fineways Blvd, Keysborough, Vic 3173	
DRAWING NO.	SHEET
128460-0000	2 of 2