



4VGCu25 250V (115V)

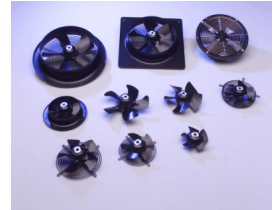
K35-A5 p



**DATA SHEET**

release. c - Revision 01-2018

Voltage	Frequency	Input Power	Input Current	Capacitor	Airflow	Rotation speed	Acoustic level	Direction rotation	Admissible Temperature
V	Hz	W	A	µF	m³/h	RPM	dBA	↻	Min/Max
115	50	50	0,55	6,0	1045	1335	52	L	-40°C / +70°C
115	60	57	0,51	6,0	1230	1560	55	L	-40°C / +70°C
115	50				615 CFM				-40°F / 158°F
115	60				723 CFM				-40°F / 158°F



dBA : free blowing

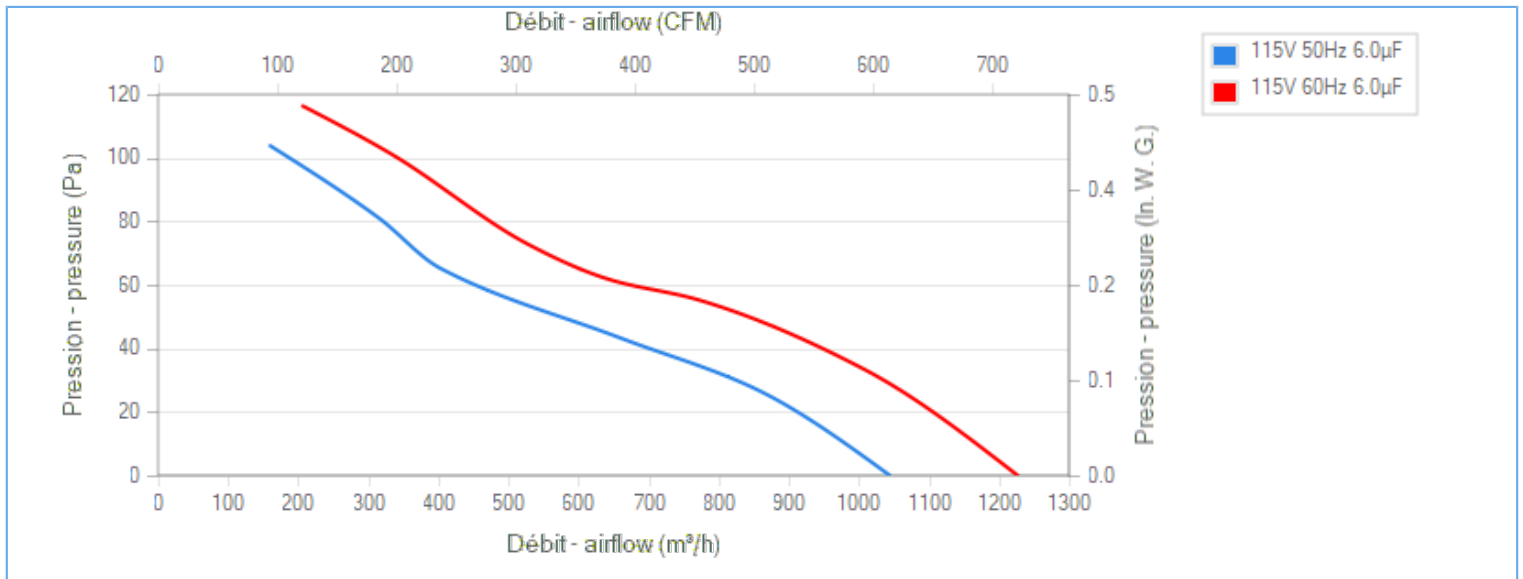
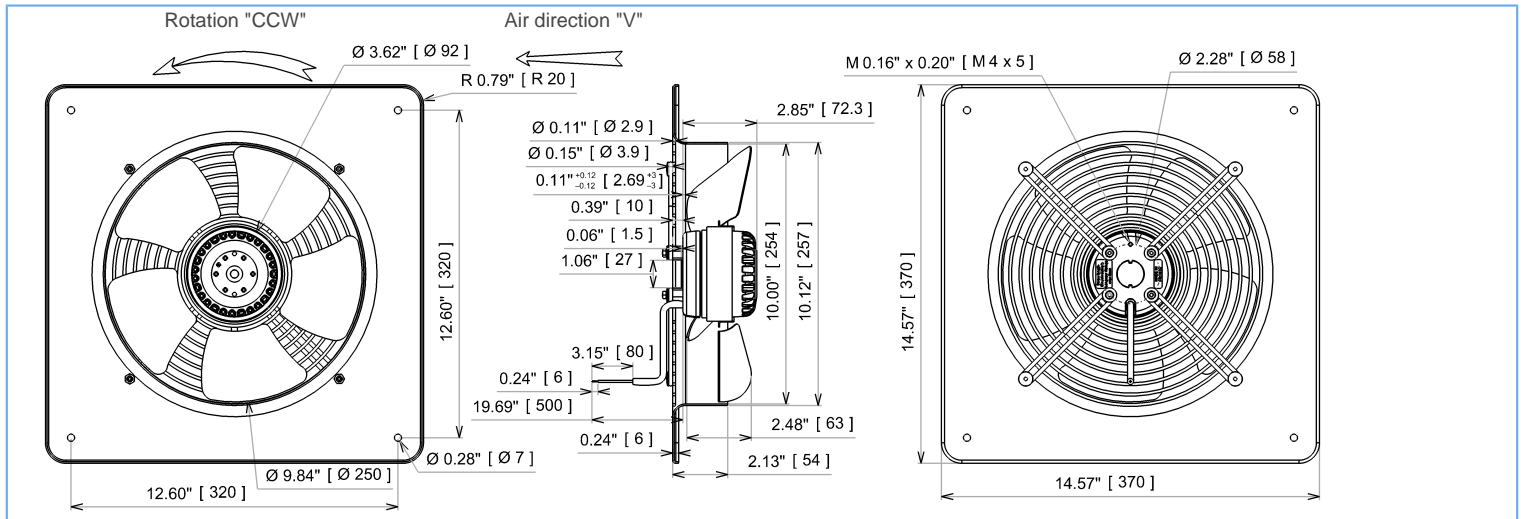
NA : not applicable

ErP 2013

NA

ErP 2015

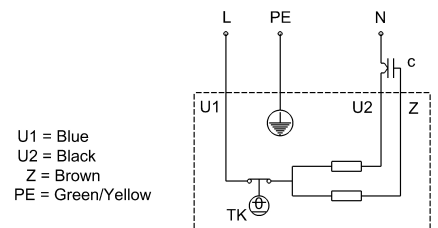
NA



Tested with ECOFIT ring

**Description**

- .Weight : 3,7 Kg
- .Ball bearing
- .Class F, thermally protected
- .IP44 protection depending on installation and position as per EN60034-5
- .G6.3 balancing
- .Zinc coated impeller
- .Rotor and impeller : black paint
- .Finger guard and ring : black paint
- .Motor - UL Recognized component





4VGCu25 250V (115V)

K35-A5 p



# DATA SHEET

release. c - Revision 01-2018

## Data in accordance to ErP directive

Voltage	115	V
Frequency	50	Hz
Power	0,054	kW <sup>(1)</sup>
Airflow	661	m <sup>3</sup> /h <sup>(1)</sup>
Pressure	43	Pa <sup>(1)</sup>
Rotation speed	1313	RPM <sup>(1)</sup>
(1) at optimal efficiency point		

ErP directive (EU 2009/125/EC) not applicable :  
Power at optimum energy efficiency point

## Accessories

- 19221
- 19221
- 39658
- 09172

## Measurement setup

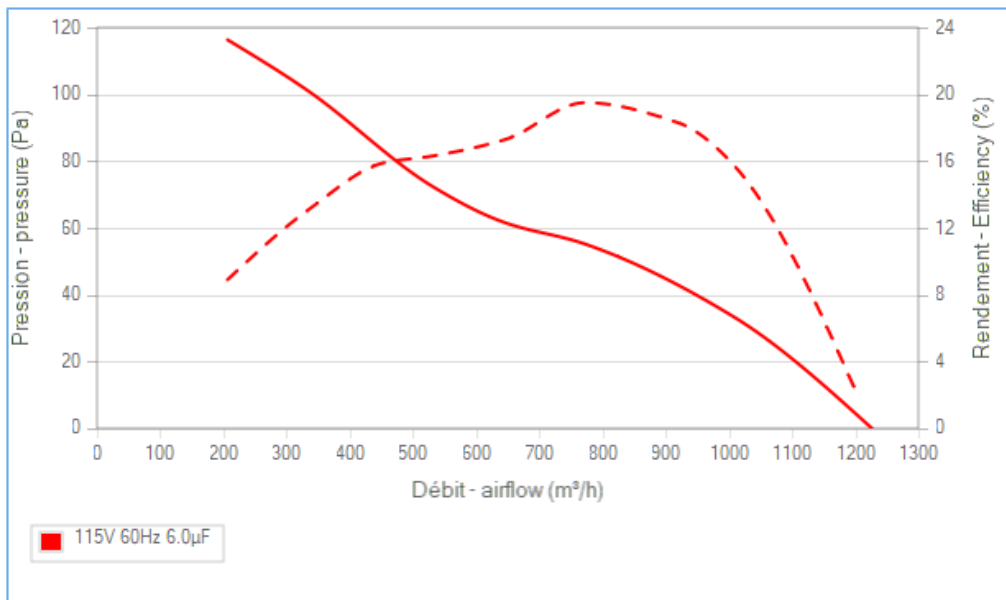
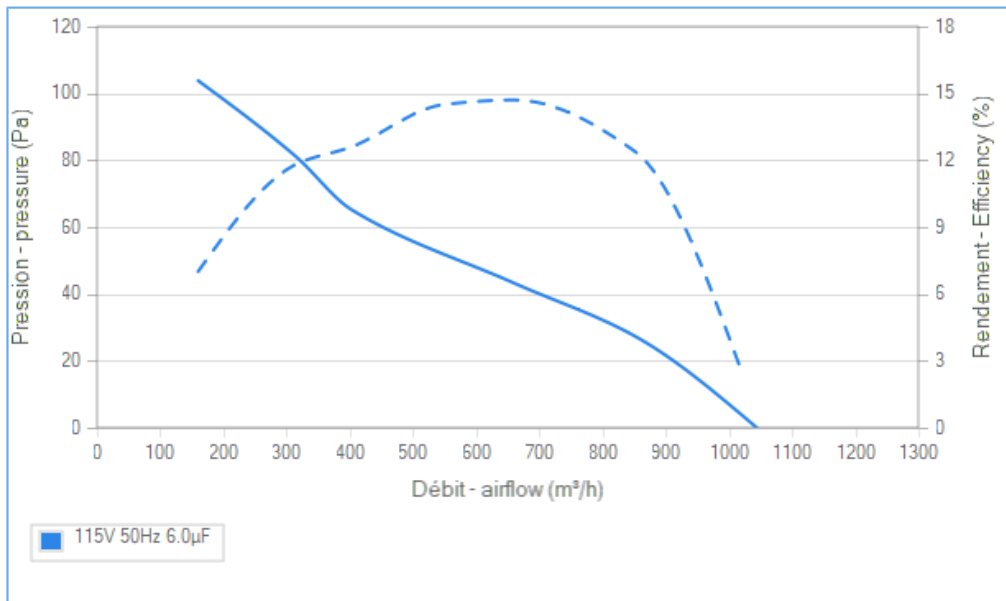
16085 VIROLE V250 RONDE

## Documents

- Manuel d'utilisation  
[www.ecofit.com/site/normes](http://www.ecofit.com/site/normes)
- Operating and recycling manual  
[www.ecofit.com/anglais/normes](http://www.ecofit.com/anglais/normes)



UL2111 (XEW2,8)  
N° file E135223  
4RS925



Non contractual document. All specifications are subject to change without prior notice. Picture for information only.