



2VREu45 300V (120V)

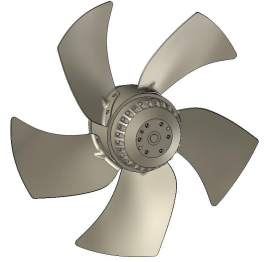
L21-A9 p



**DATA SHEET**

release. 0 - Revision 10-2017

Voltage	Frequency	Input Power	Input Current	Capacitor	Airflow	Rotation speed	Direction rotation	Admissible Temperature
V	Hz	W	A	µF	m³/h	RPM		Min/Max
120	50	173	1,45	25,0	2735	2720	L	-40°C / +70°C
120	60	246	2,14	25,0	3065	3075	L	-40°C / +65°C
120	50				1609 CFM			-40°F / 158°F
120	60				1804 CFM			-40°F / 149°F

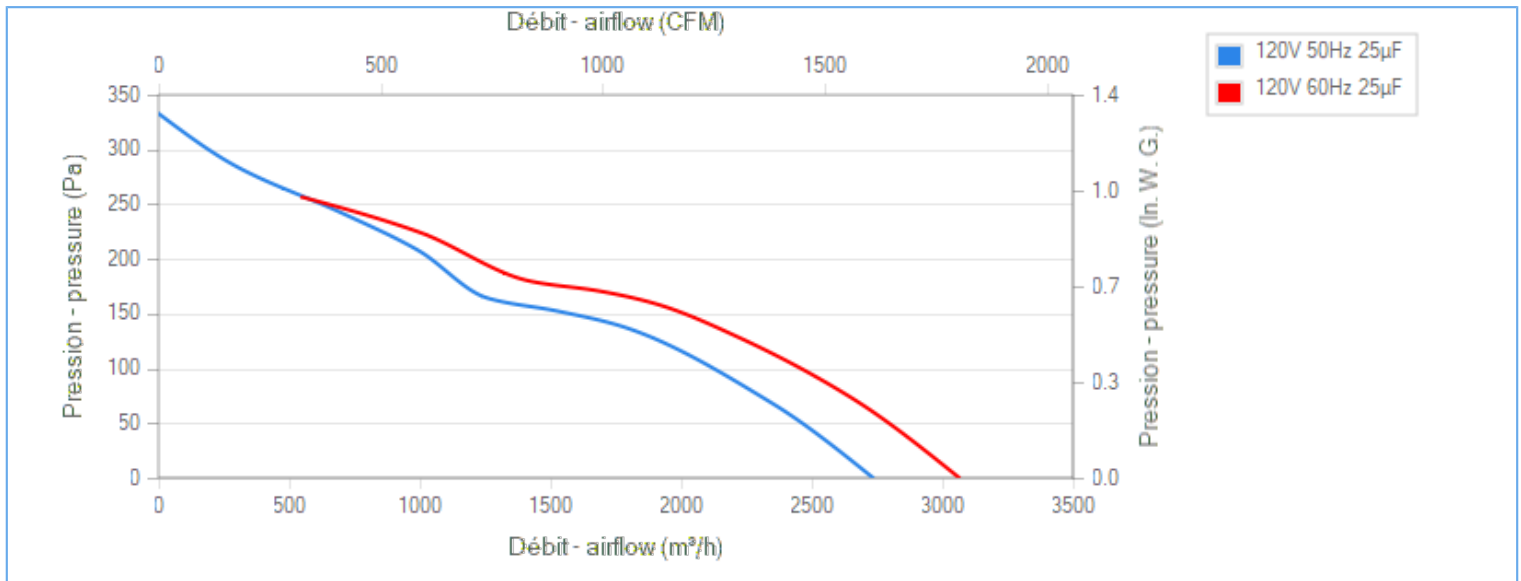
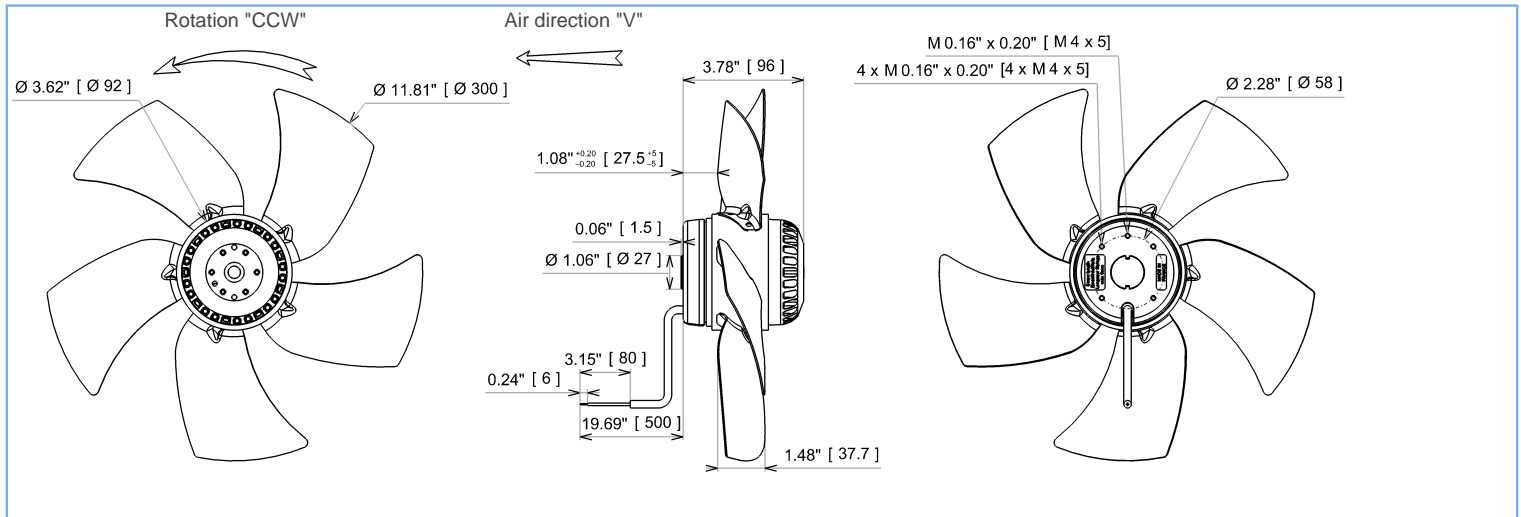


ErP 2013

OK

ErP 2015

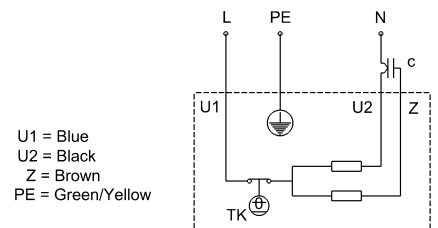
OK



Tested with ECOFIT ring

**Description**

- .Weight : 2,9 Kg
- .Ball bearing
- .Class F, thermally protected
- .IP44 protection depending on installation and position as per EN60034-5
- .G6.3 balancing
- .Rotor and impeller : black paint



Non contractual document. All specifications are subject to change without prior notice. Picture for information only.



2VREu45 300V (120V)

L21-A9 p



# DATA SHEET

release. 0 - Revision 10-2017

## Data in accordance to ErP directive

Voltage	120	V
Frequency	50	Hz
Power	0,213	kW <sup>(1)</sup>
Airflow	1789	m <sup>3</sup> /h <sup>(1)</sup>
Pressure	137	Pa <sup>(1)</sup>
Rotation speed	2575	RPM <sup>(1)</sup>

(1) at optimal efficiency point

	Actual	Request 2013	Request 2015
Overall efficiency ( $\eta$ )	31,9	25,4	29,4
Efficiency grade	42	36	40
Installation category	A		
Efficiency category	static		
Variable speed drive	No		
Specific ratio	1,00		

Designed for regular application according ErP directive EU 2009/125/EC

## Accessories

- 19257
- 19257
- 39658
- 09172

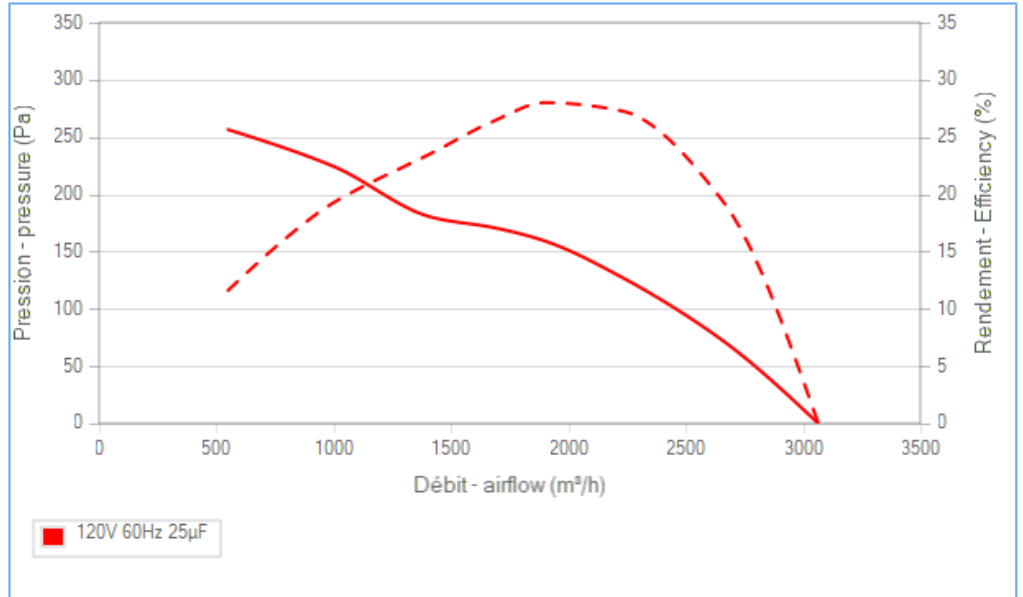
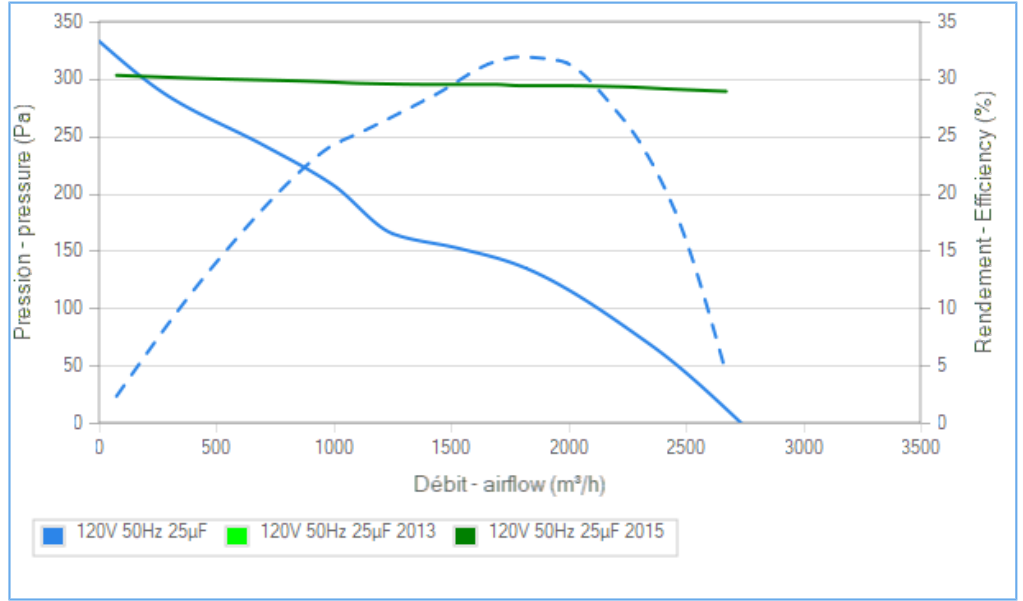
## Measurement setup

16086 VIROLE V300 RONDE

## Documents

Manuel d'utilisation  
[www.ecofit.com/site/normes](http://www.ecofit.com/site/normes)

Operating and recycling manual  
[www.ecofit.com/anglais/normes](http://www.ecofit.com/anglais/normes)



Non contractual document. All specifications are subject to change without prior notice. Picture for information only.



UL2111 (XEW2,8)  
 N° file E135223  
 2RS945