



2VPRu45 300V (120V)

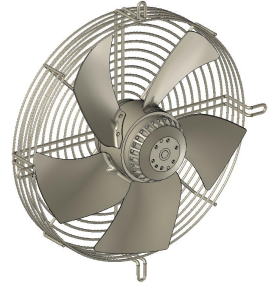
J16-A4 p



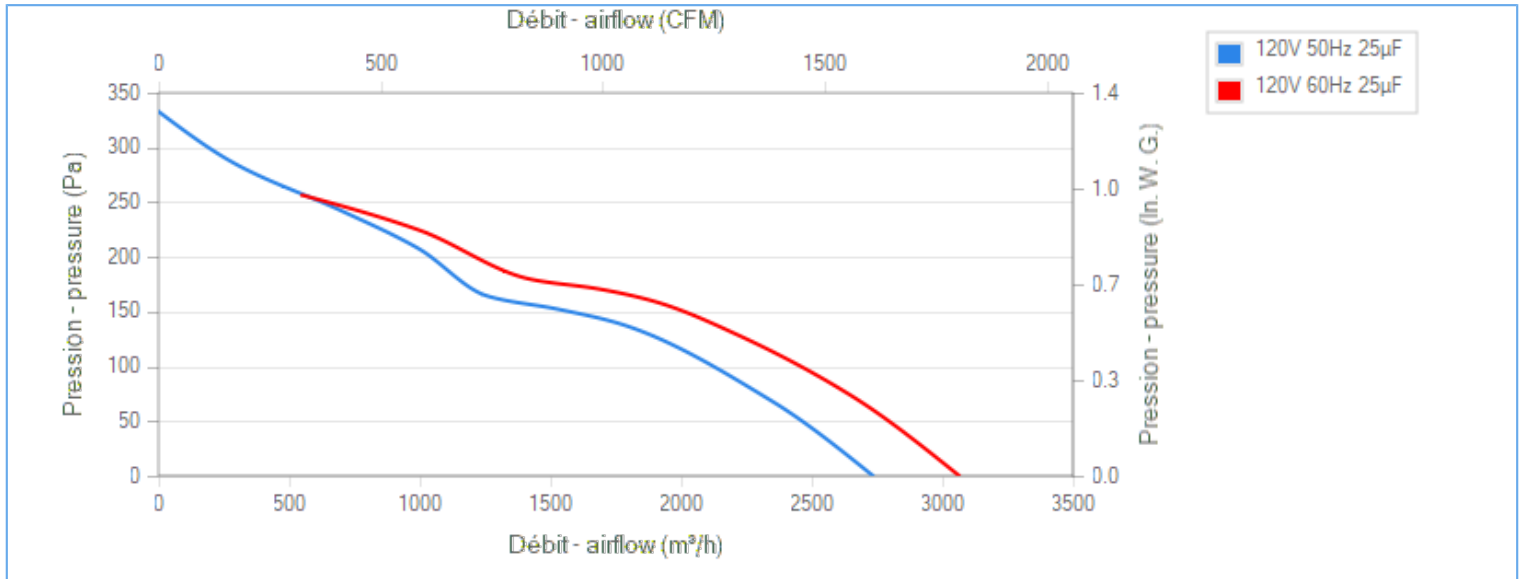
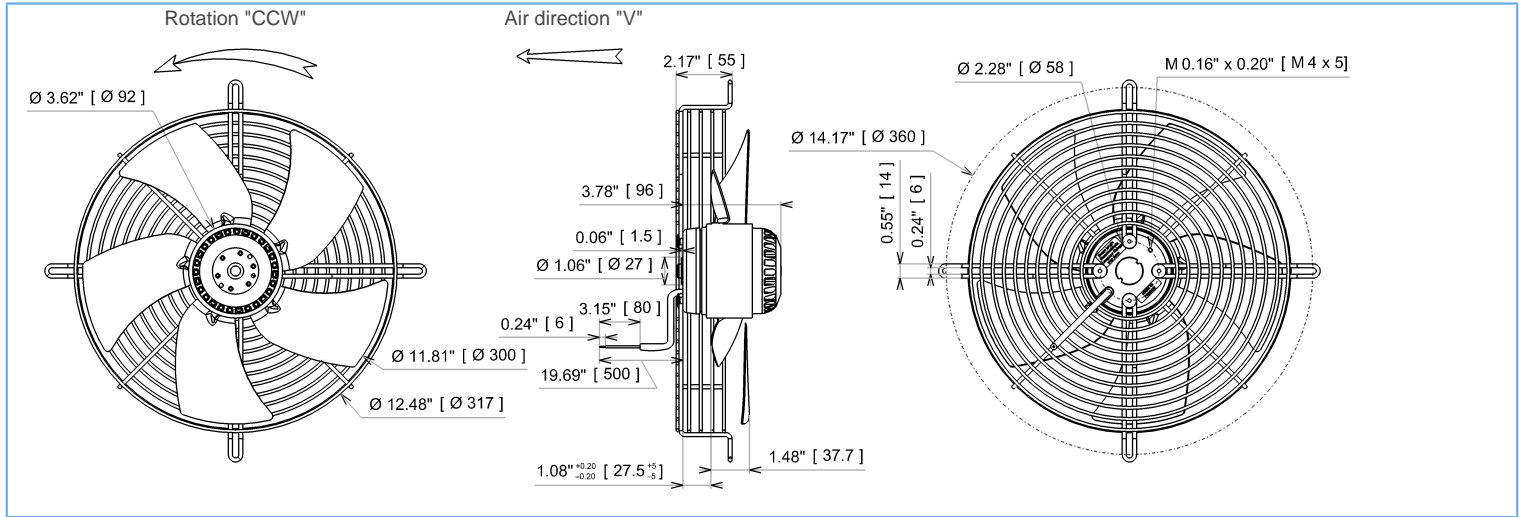
DATA SHEET

release. b - Revision 10-2017

Voltage	Frequency	Input Power	Input Current	Capacitor	Airflow	Rotation speed	Direction rotation	Admissible Temperature
V	Hz	W	A	µF	m³/h	RPM		Min/Max
120	50	173	1,45	25,0	2735	2720	L	-40°C / +70°C
120	60	246	2,14	25,0	3065	3075	L	-40°C / +65°C
120	50				1609 CFM			-40°F / 158°F
120	60				1804 CFM			-40°F / 149°F



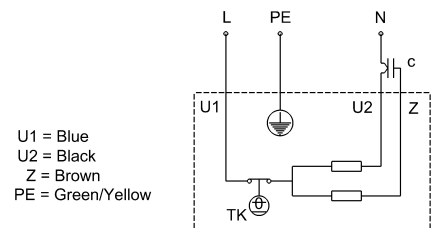
ErP 2013 OK ErP 2015 OK



Tested with ECOFIT ring

Description

- .Weight : 3,6 Kg
- .Ball bearing
- .Class F, thermally protected
- .IP44 protection depending on installation and position as per EN60034-5
- .G6.3 balancing
- .Rotor and impeller : black paint
- .Basket finger guard : black paint



U1 = Blue
U2 = Black
Z = Brown
PE = Green/Yellow

Non contractual document. All specifications are subject to change without prior notice. Picture for information only.



2VPRu45 300V (120V)

J16-A4 p



DATA SHEET

release. b - Revision 10-2017

Data in accordance to ErP directive

Voltage	120	V
Frequency	50	Hz
Power	0,213	kW ⁽¹⁾
Airflow	1789	m ³ /h ⁽¹⁾
Pressure	137	Pa ⁽¹⁾
Rotation speed	2575	RPM ⁽¹⁾

(1) at optimal efficiency point

	Actual	Request 2013	Request 2015
Overall efficiency (η)	31,9	25,4	29,4
Efficiency grade	42	36	40
Installation category	A		
Efficiency category	static		
Variable speed drive	No		
Specific ratio	1,00		

Designed for regular application according ErP directive EU 2009/125/EC

Accessories

- 19257
- 19257
- 39658
- 09172

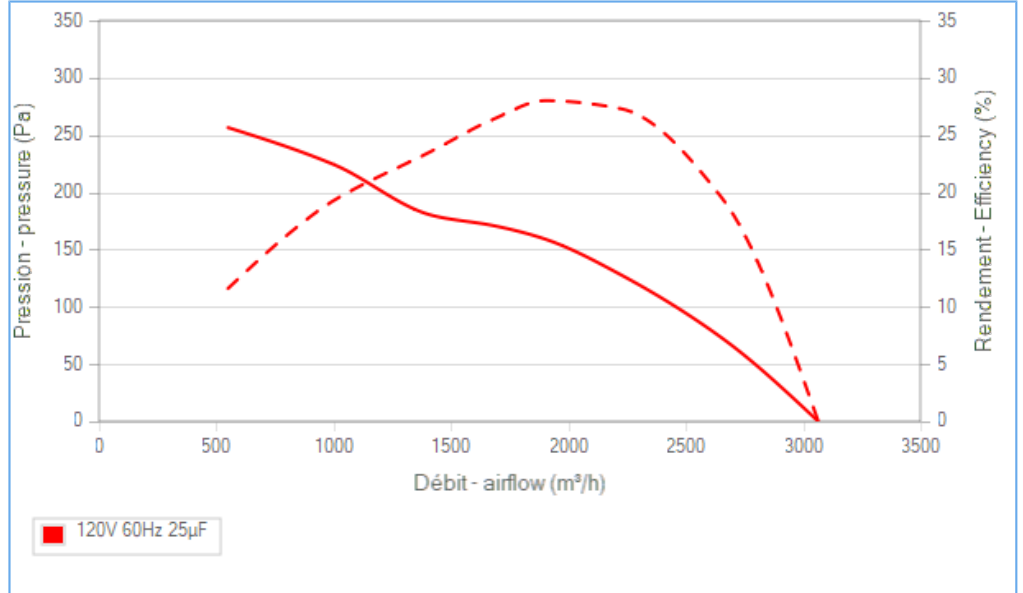
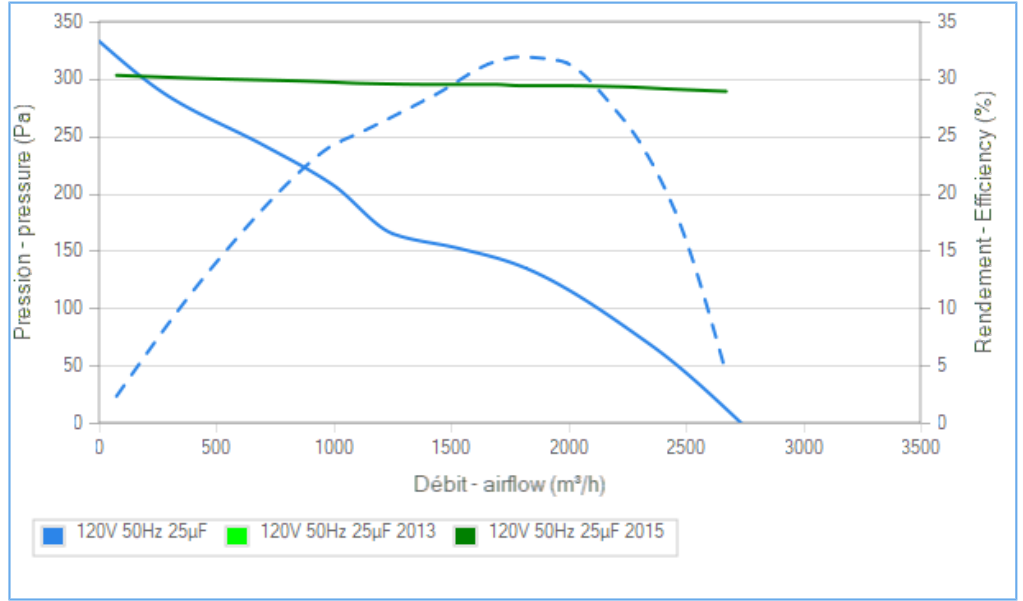
Measurement setup

16086 VIROLE V300 RONDE

Documents

Manuel d'utilisation
www.ecofit.com/site/normes

Operating and recycling manual
www.ecofit.com/anglais/normes



Non contractual document. All specifications are subject to change without prior notice. Picture for information only.



UL2111 (XEW2,8)
 N° file E135223
 2RS945