



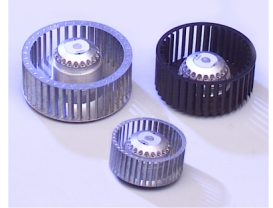
2TREu25 140x59R (115V) C48-A8 p



DATA SHEET

release. d - Revision 08-2016

| Voltage | Frequency | Input Power | Input Current | Capacitor | Airflow | Rotation speed | Acoustic level | Direction rotation | Admissible Temperature |
|---------|-----------|-------------|---------------|-----------|---------|----------------|----------------|--------------------|------------------------|
| V | Hz | W | A | µF | m³/h | RPM | dBA | ↻ | Min/Max |
| 115 | 50 | 151 | 1,32 | 16,0 | 490 | 2065 | 62 | R | -40°C / +50°C |
| 115 | 60 | 181 | 1,58 | 16,0 | 500 | 2050 | 61 | R | -40°C / +50°C |
| 115 | 50 | | | | 288 CFM | | | | -40°F / 122°F |
| 115 | 60 | | | | 294 CFM | | | | -40°F / 122°F |



dBA : free blowing

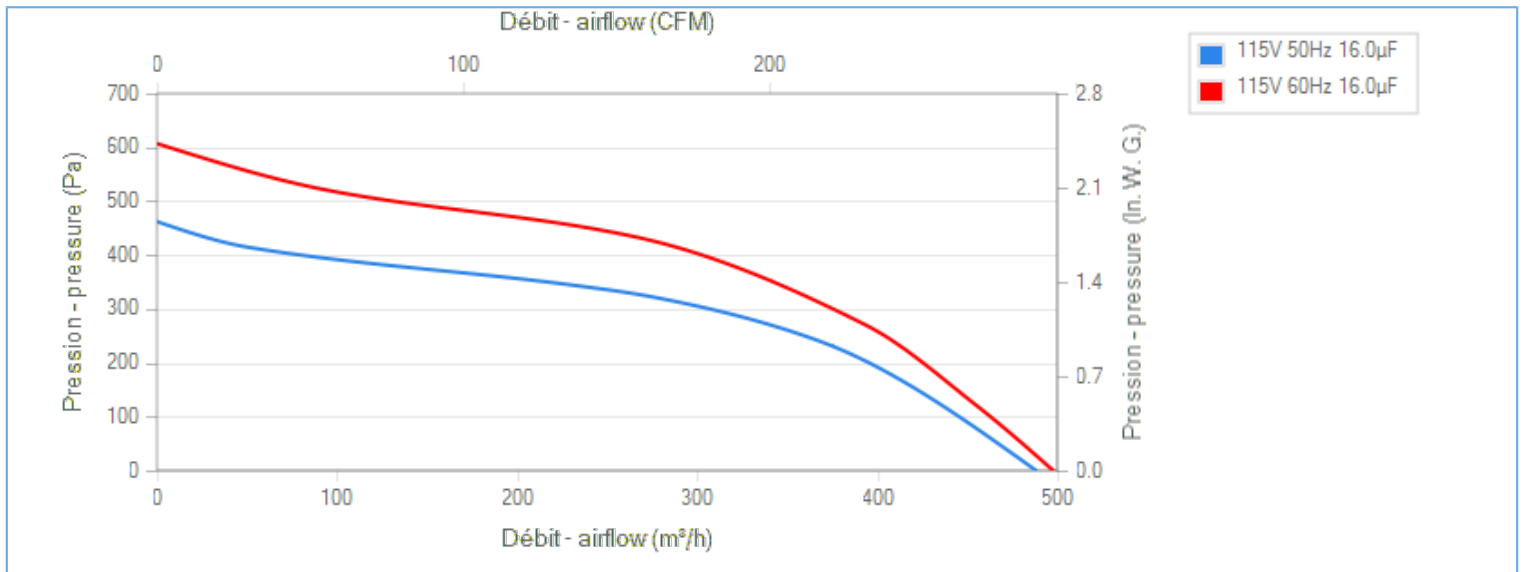
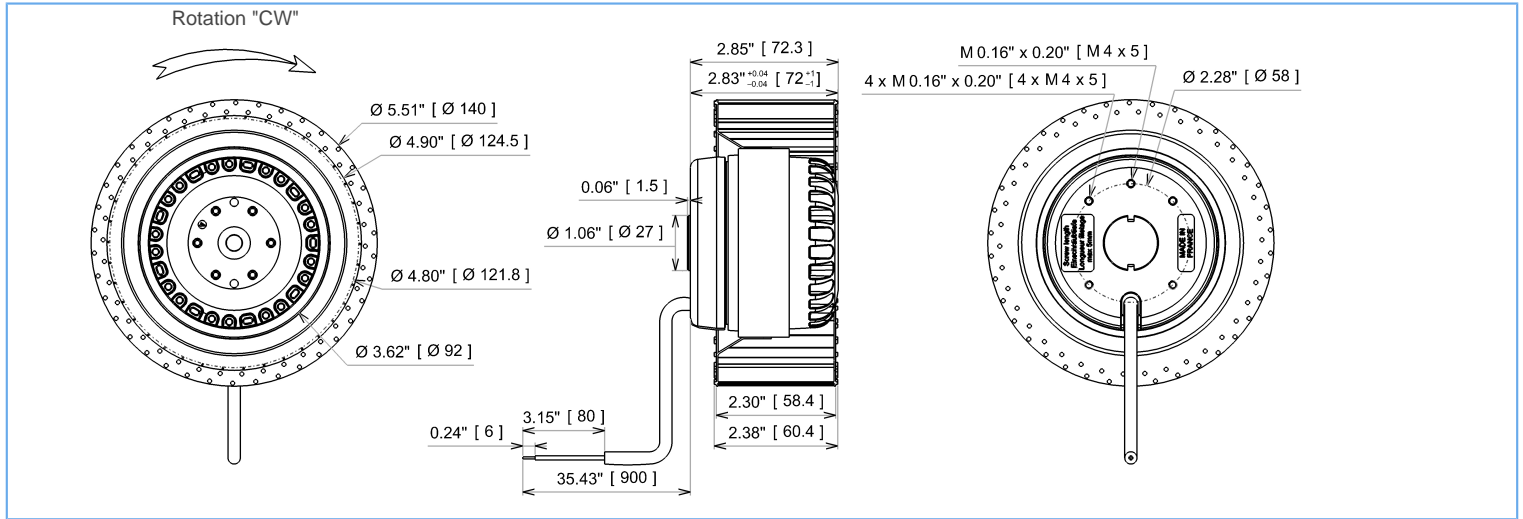
NA : not applicable

ErP 2013

NA

ErP 2015

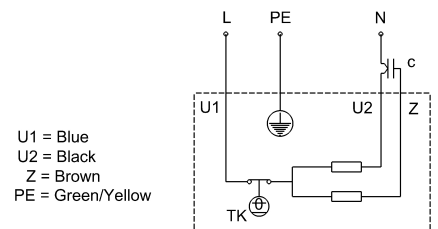
NA



Tested with ECOFIT housing

Description

- .Weight : 1,8 Kg
- .Ball bearing
- .Class F, thermally protected
- .IP44 protection depending on installation and position as per EN60034-5
- .G2.5 balancing
- .Galvanized steel impeller
- .Rotor : black paint
- .Motor - UL Recognized component



Non contractual document. All specifications are subject to change without prior notice. Picture for information only.



2TREu25 140x59R (115V) C48-A8 p



DATA SHEET

release. d - Revision 08-2016

Data in accordance to ErP directive

| | | |
|----------------|-------|----------------------------------|
| Voltage | 115 | V |
| Frequency | 50 | Hz |
| Power | 0,113 | kW ⁽¹⁾ |
| Airflow | 275 | m ³ /h ⁽¹⁾ |
| Pressure | 322 | Pa ⁽¹⁾ |
| Rotation speed | 2511 | RPM ⁽¹⁾ |

(1) at optimal efficiency point

ErP directive (EU 2009/125/EC) not applicable :
Power at optimum energy efficiency point

Accessories

- 19251
- 19251
- 21325
- 16043

Measurement setup

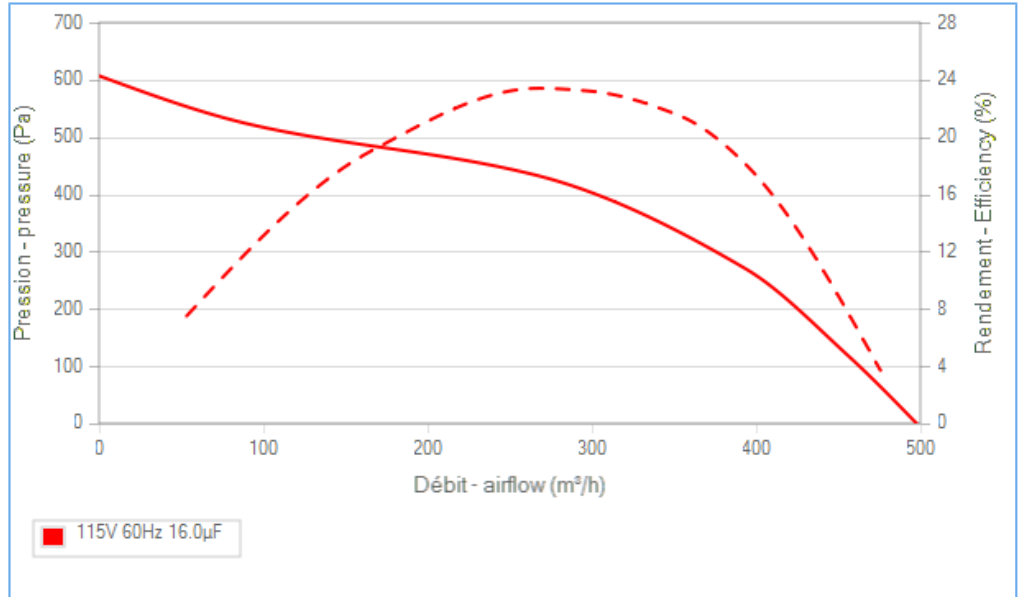
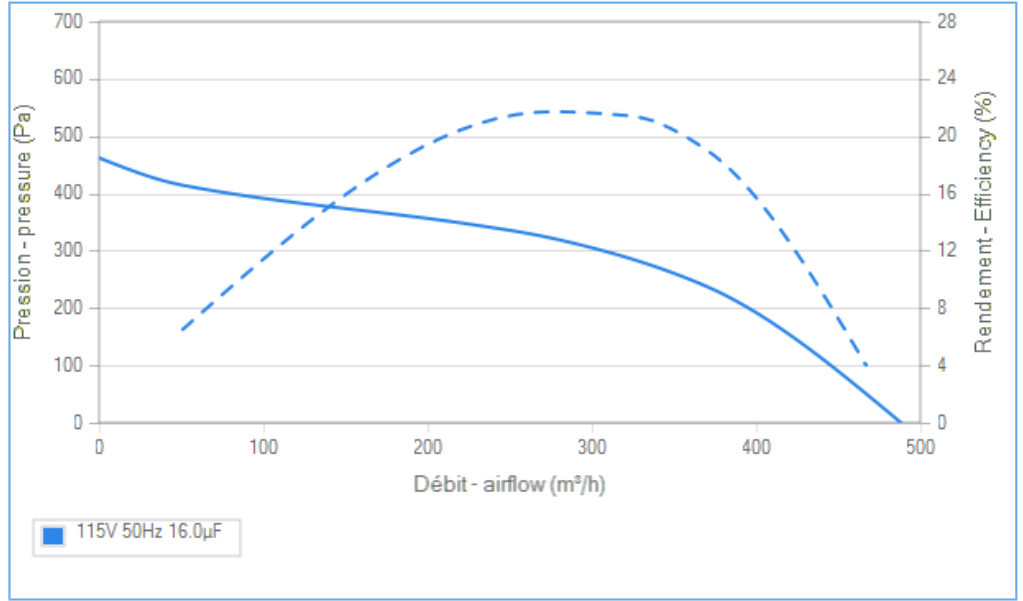
Contact ECOFIT

Documents

- Manuel d'utilisation
www.ecofit.com/site/normes
- Operating and recycling manual
www.ecofit.com/anglais/normes



UL2111 (XEWR2,8)
N° file E135223
2RS925



Non contractual document. All specifications are subject to change without prior notice. Picture for information only.