



2TREu15 120x62R (115V) C48-A4 p



DATA SHEET

release. d - Revision 09-2016

Voltage	Frequency	Input Power	Input Current	Capacitor	Airflow	Rotation speed	Acoustic level	Direction rotation	Admissible Temperature
V	Hz	W	A	μF	m ³ /h	RPM	dBA	↻	Min/Max
115	50	69	0,64	6,0	275	2040	56	R	-40°C / +70°C
115	60	83	0,76	6,0	282	2000	57	R	-40°C / +70°C
115	50				161 CFM				-40°F / 158°F
115	60				165 CFM				-40°F / 158°F



dBA : free blowing

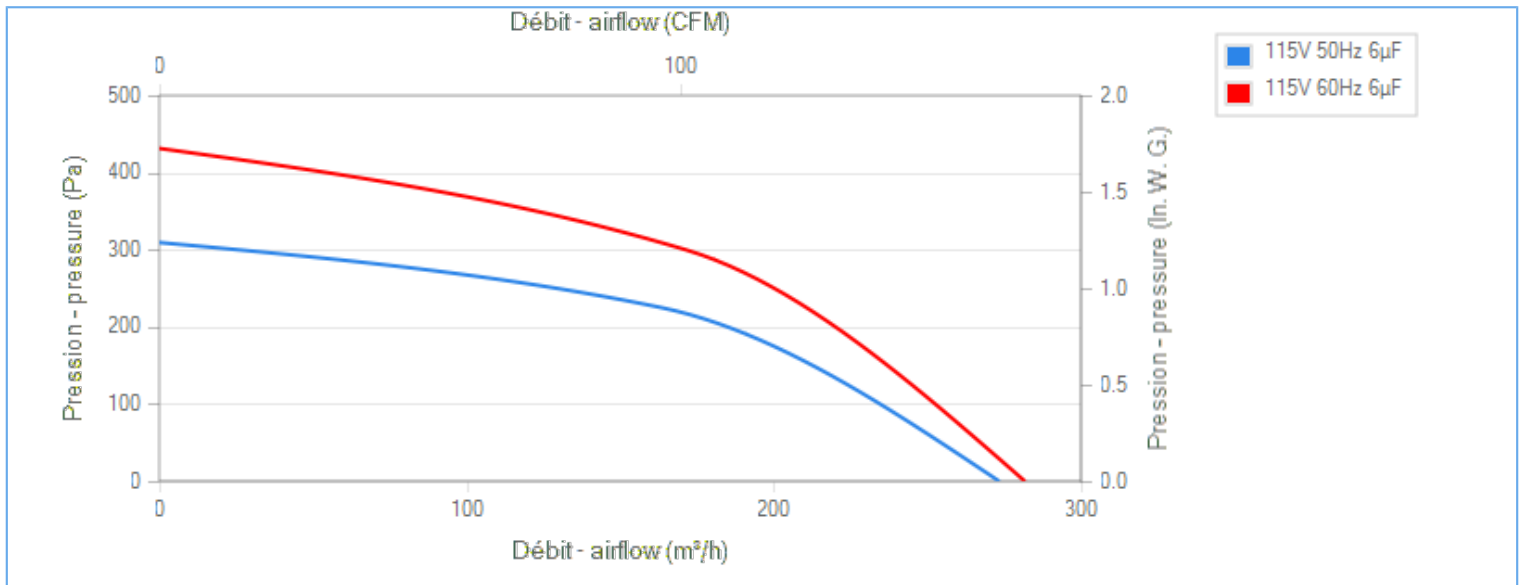
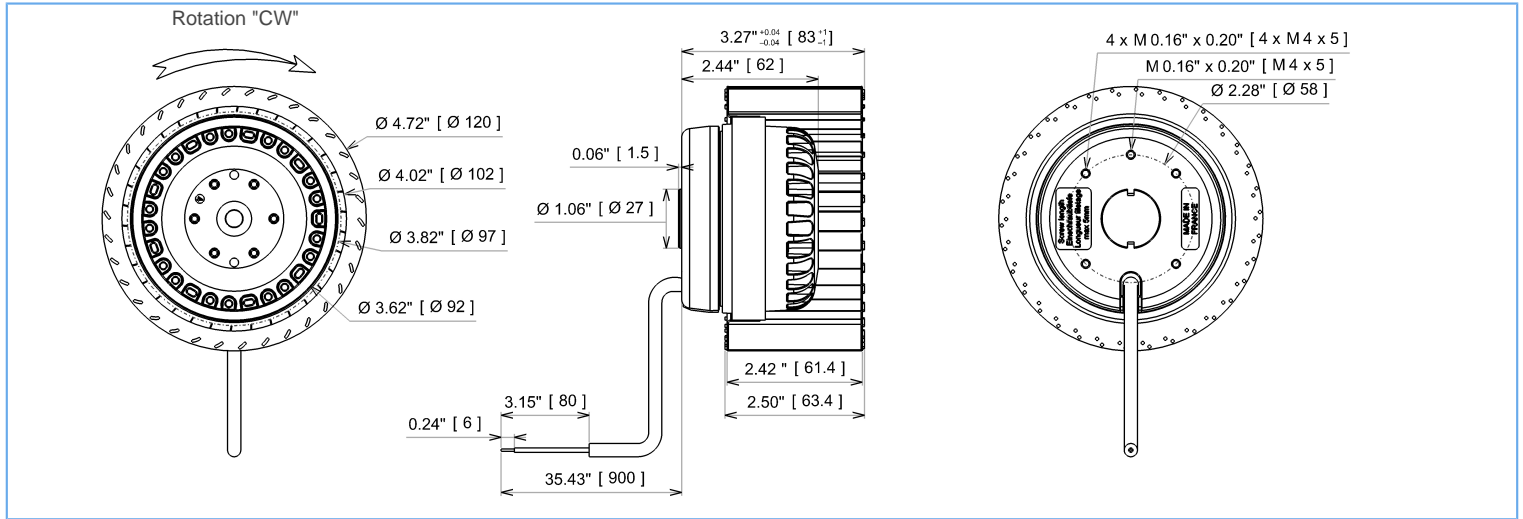
NA : not applicable

ErP 2013

NA

ErP 2015

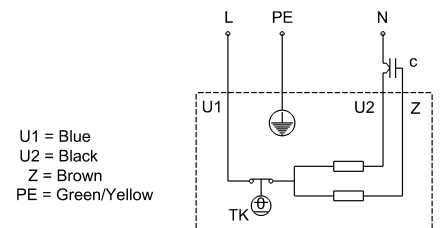
NA



Tested with ECOFIT housing

Description

- .Weight : 1,4 Kg
- .Ball bearing
- .Class F, thermally protected
- .IP44 protection depending on installation and position as per EN60034-5
- .G2.5 balancing
- .Galvanized steel impeller
- .Rotor : black paint
- .Motor - UL Recognized component





2TREu15 120x62R (115V) C48-A4 p



DATA SHEET

release. d - Revision 09-2016

Data in accordance to ErP directive

Voltage	115	V
Frequency	50	Hz
Power	0,051	kW ⁽¹⁾
Airflow	164	m ³ /h ⁽¹⁾
Pressure	225	Pa ⁽¹⁾
Rotation speed	2563	RPM ⁽¹⁾
(1) at optimal efficiency point		

ErP directive (EU 2009/125/EC) not applicable :
Power at optimum energy efficiency point

Accessories

- 19221
- 19221
- 21236
- 16104

Measurement setup

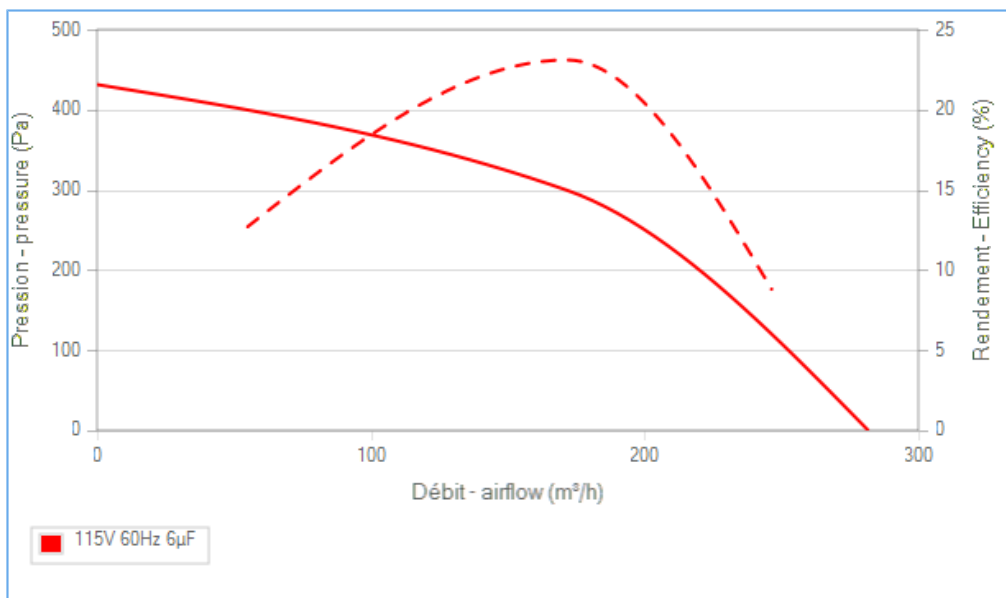
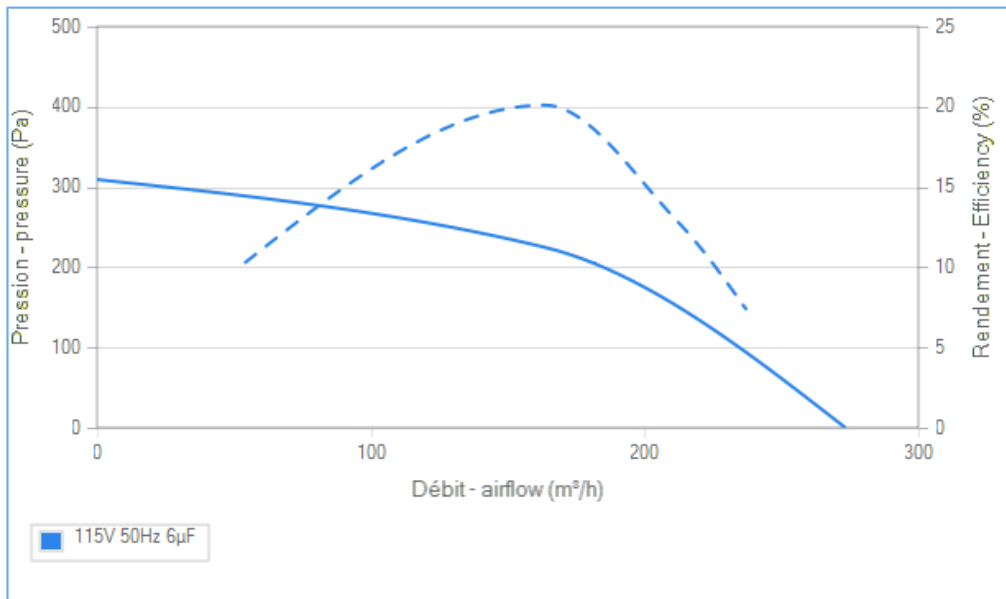
Contact ECOFIT

Documents

- Manuel d'utilisation
www.ecofit.com/site/normes
- Operating and recycling manual
www.ecofit.com/anglais/normes



UL2111 (XEWR2,8)
N° file E135223
2RS915



Non contractual document. All specifications are subject to change without prior notice. Picture for information only.