

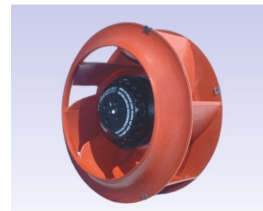


2RREu35 225x63R (115V) B12-A3 p

DATA SHEET

release. e - Revision 04-2016

Voltage	Frequency	Input Power	Input Current	Capacitor	Airflow	Rotation speed	Acoustic level	Direction rotation	Admissible Temperature	
V	Hz	W	A	µF	m³/h	RPM	dBA	↻	Min/Max	
115	50	156	1,36	18,0	1215	2560	67	R	-40°C / +50°C	
115	60	212	1,86	18,0	1285	2695	68	R	-40°C / +50°C	
115	50	715 CFM						-40°F / 122°F		
115	60	756 CFM						-40°F / 122°F		



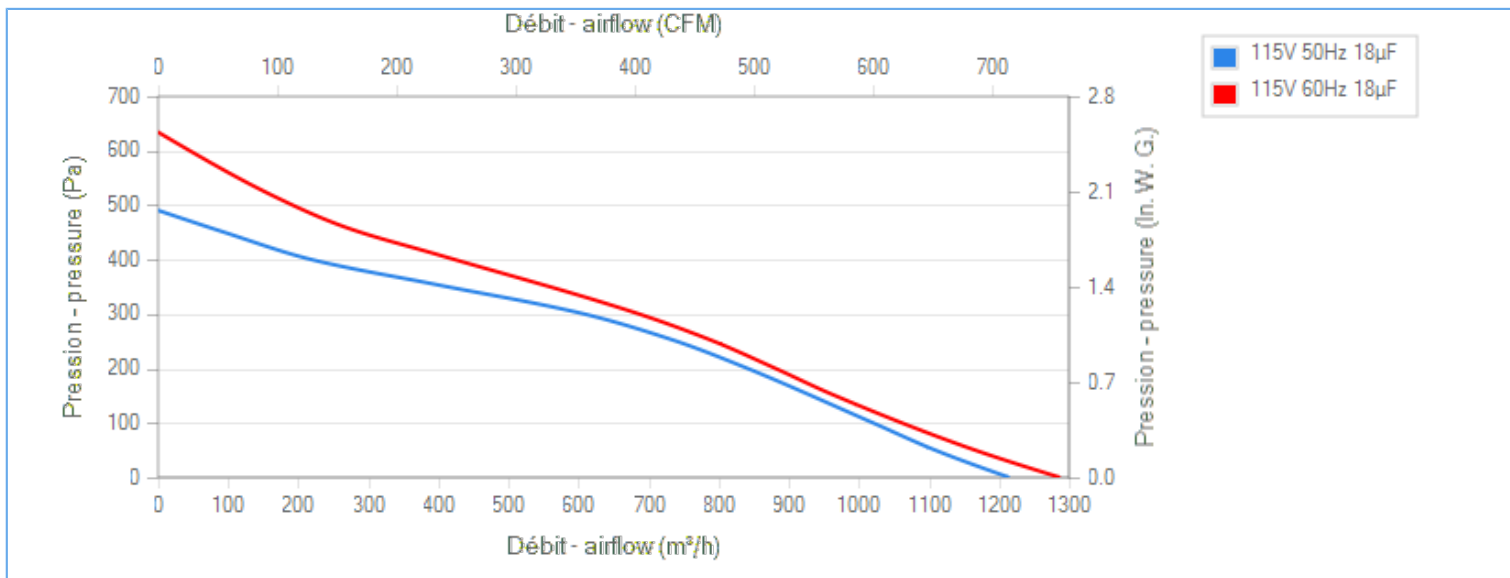
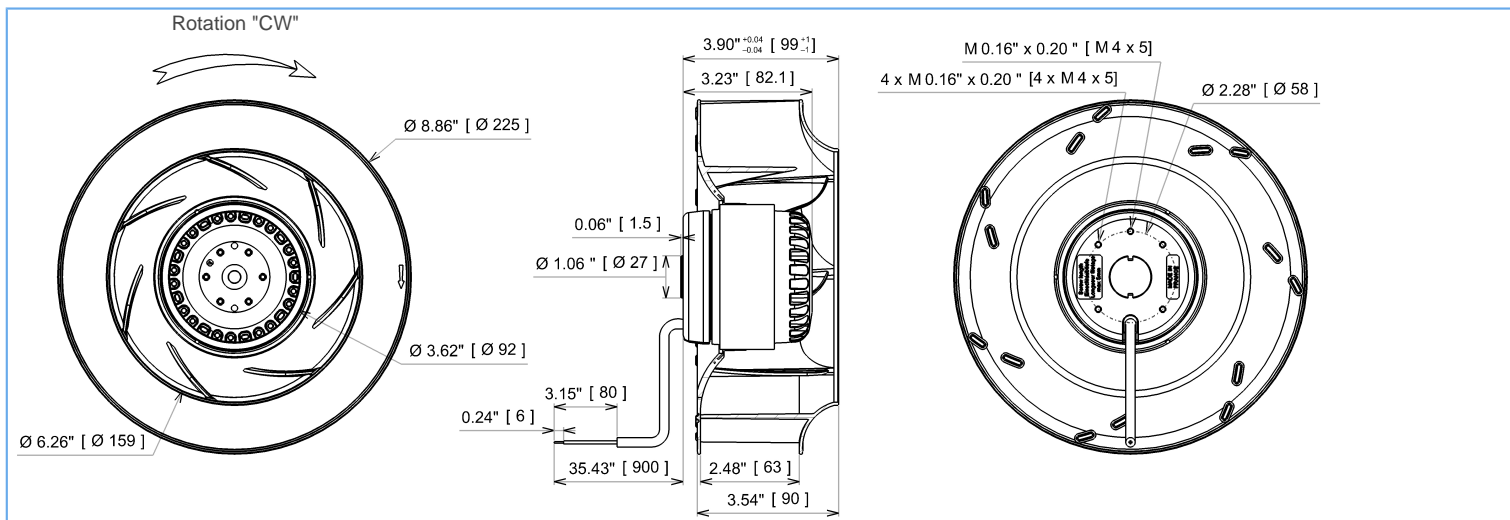
dBA : free blowing

ErP 2013

NOK

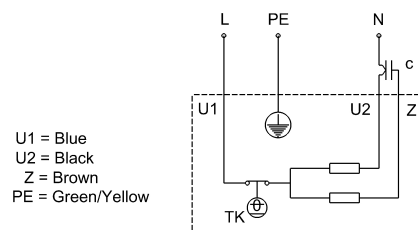
ErP 2015

NOK



Description

- .Weight : 2,4 Kg
- .Ball bearing
- .Class F, thermally protected
- .IP44 protection depending on installation and position as per EN60034-5
- .G2.5 balancing
- .Rotor : black paint
- .PA 6/6 UL 94 V-0 plastic impeller
- .Motor - UL Recognized component



Non contractual document. All specifications are subject to change without prior notice. Picture for information only.



2RREu35 225x63R (115V) B12-A3 p

DATA SHEET

release. e - Revision 04-2016

Data in accordance to ErP directive

Voltage	115	V
Frequency	50	Hz
Power	0,167	kW ⁽¹⁾
Airflow	736	m ³ /h ⁽¹⁾
Pressure	252	Pa ⁽¹⁾
Rotation speed	2450	RPM ⁽¹⁾

(1) at optimal efficiency point

For service use only in Europe according ErP directive EU 2009/125/EC

Accessories

- 19225
- 19225
- 16214

Measurement setup

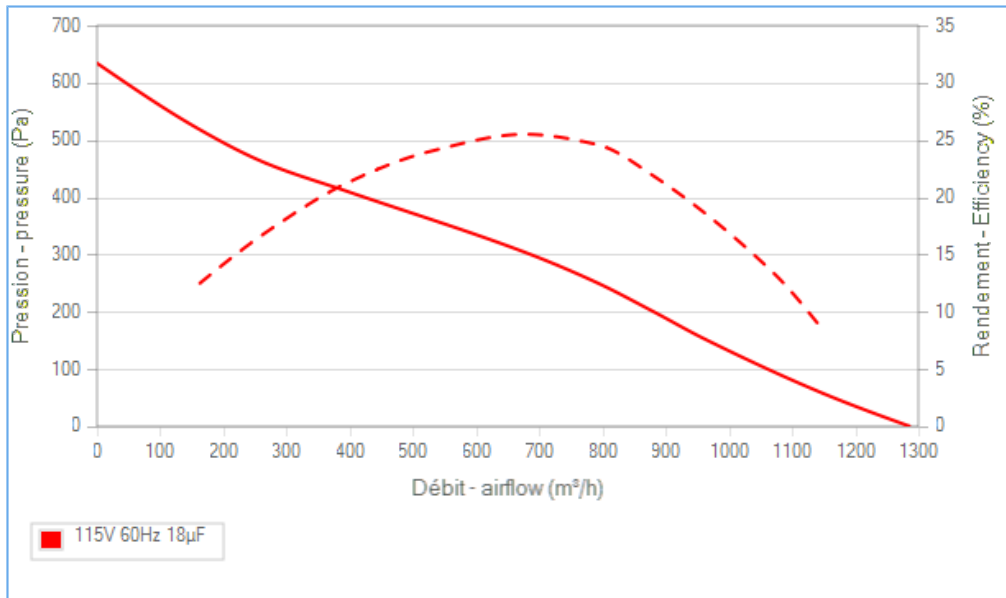
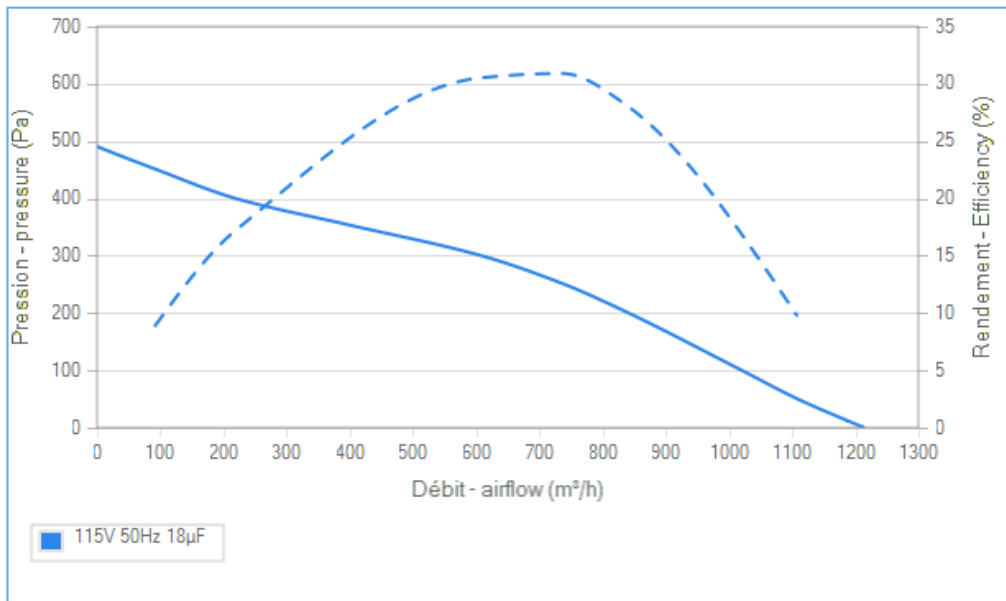
- 16214 Ouie Ø252 ext Ø153 int GALVA

Documents

- Manuel d'utilisation
www.ecofit.com/site/normes
- Operating and recycling manual
www.ecofit.com/anglais/normes



UL2111 (XEW2,8)
N° file E135223
2RS935



Non contractual document. All specifications are subject to change without prior notice. Picture for information only.