



2GREuB3 108x52R

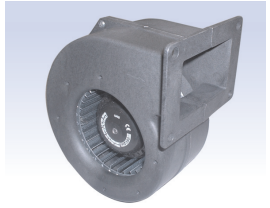
F07-A7



DATA SHEET

release. c - Revision 09-2017

| Voltage | Frequency | Input Power | Input Current | Capacitor | Airflow | Rotation speed | Acoustic level | Direction rotation | Admissible Temperature |
|---------|-----------|-------------|---------------|-----------|---------|----------------|----------------|--------------------|------------------------|
| V | Hz | W | A | μF | m³/h | RPM | dBA | ↻ | Min/Max |
| 115 | 50 | 44 | 0,39 | 4,0 | 175 | 2150 | 52 | R | -40°C / +70°C |
| 115 | 60 | 48 | 0,42 | 4,0 | 180 | 2270 | 54 | R | -40°C / +70°C |
| 115 | 50 | | | | 103 CFM | | | | -40°F / 158°F |
| 115 | 60 | | | | 105 CFM | | | | -40°F / 158°F |



dBA : free blowing

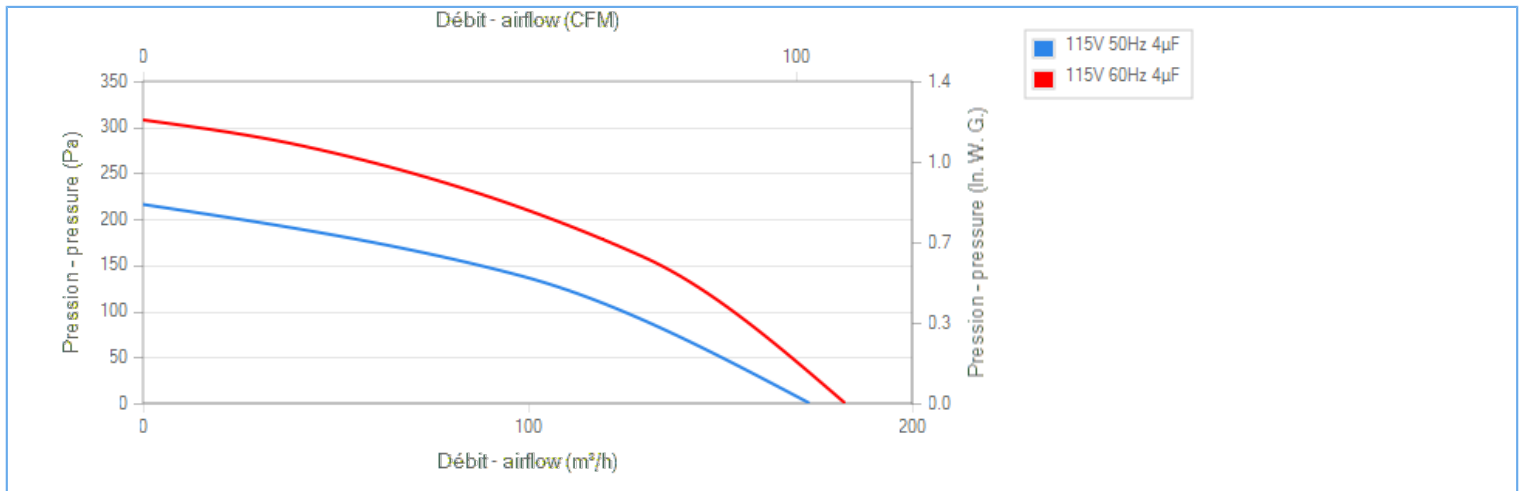
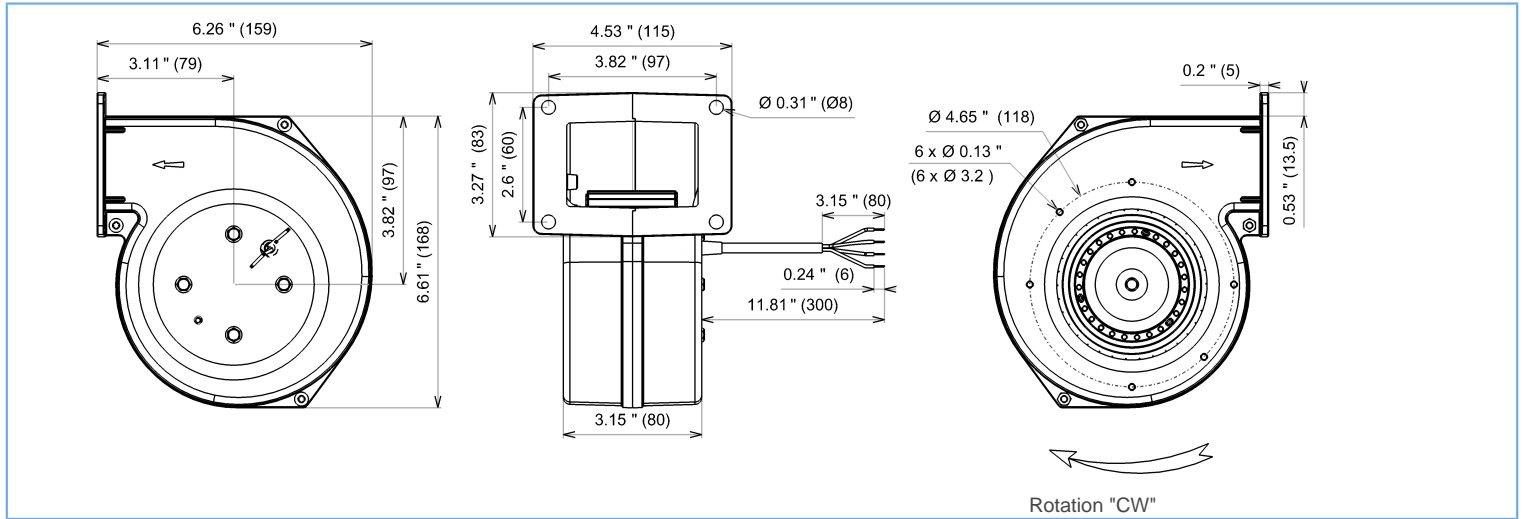
NA : not applicable

ErP 2013

NA

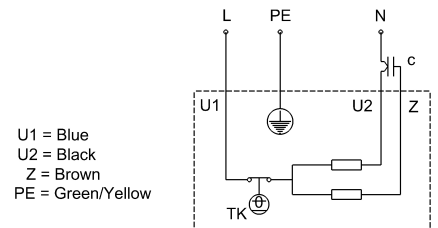
ErP 2015

NA



Description

- .Weight : 1,2 Kg
- .Ball bearing
- .Class F, thermally protected
- .IP44 protection depending on installation and position as per EN60034-5
- .G2.5 balancing
- .Galvanized steel impeller
- .Rotor : black paint
- .PA6/6 UL94 V-0 plastic scroll housing
- .Motor - UL Recognized component



Non contractual document. All specifications are subject to change without prior notice. Picture for information only.



2GREuB3 108x52R

F07-A7



DATA SHEET

release. c - Revision 09-2017

Data in accordance to ErP directive

| | | |
|---------------------------------|-------|----------------------------------|
| Voltage | 115 | V |
| Frequency | 50 | Hz |
| Power | 0,038 | kW ⁽¹⁾ |
| Airflow | 98 | m ³ /h ⁽¹⁾ |
| Pressure | 139 | Pa ⁽¹⁾ |
| Rotation speed | 2520 | RPM ⁽¹⁾ |
| (1) at optimal efficiency point | | |

ErP directive (EU 2009/125/EC) not applicable :
Power at optimum energy efficiency point

Accessories

- 19220
- 19220
- 21367

Measurement setup

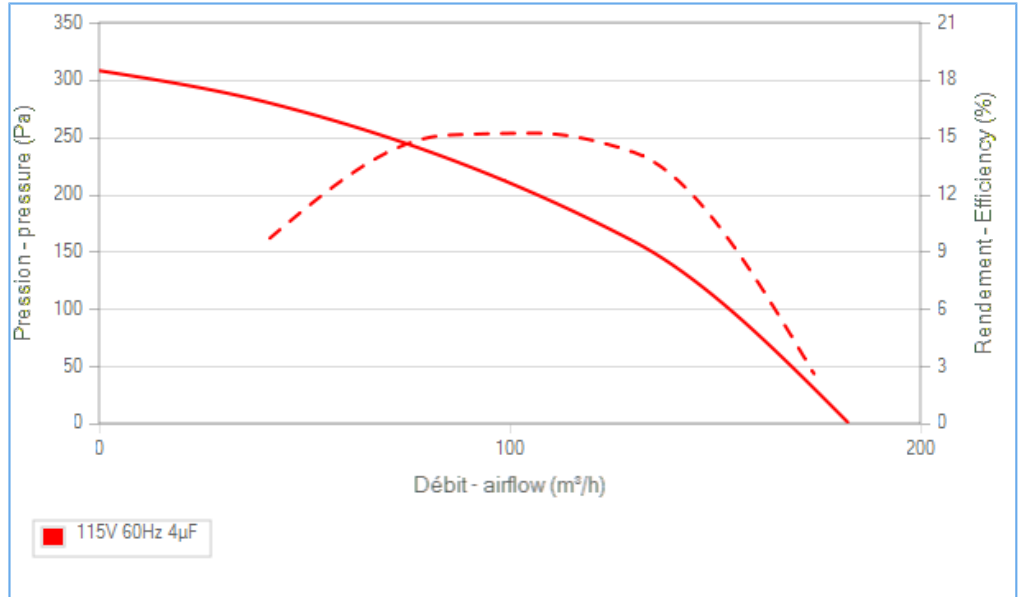
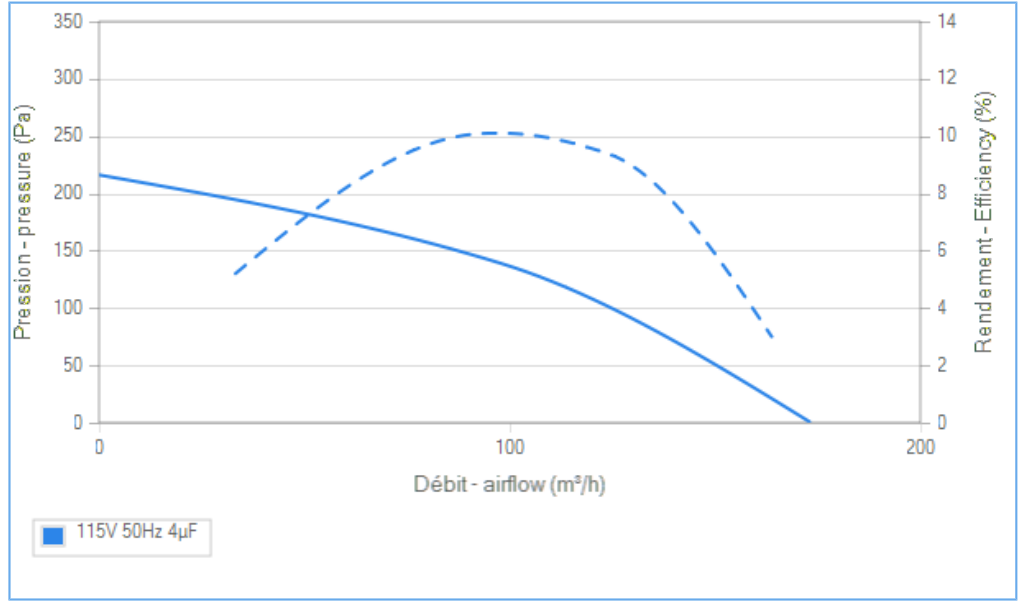
Contact ECOFIT

Documents

- Manuel d'utilisation
www.ecofit.com/site/normes
- Operating and recycling manual
www.ecofit.com/anglais/normes



UL2111 (XEW2,8)
N° file E135223
2RS73



Non contractual document. All specifications are subject to change without prior notice. Picture for information only.