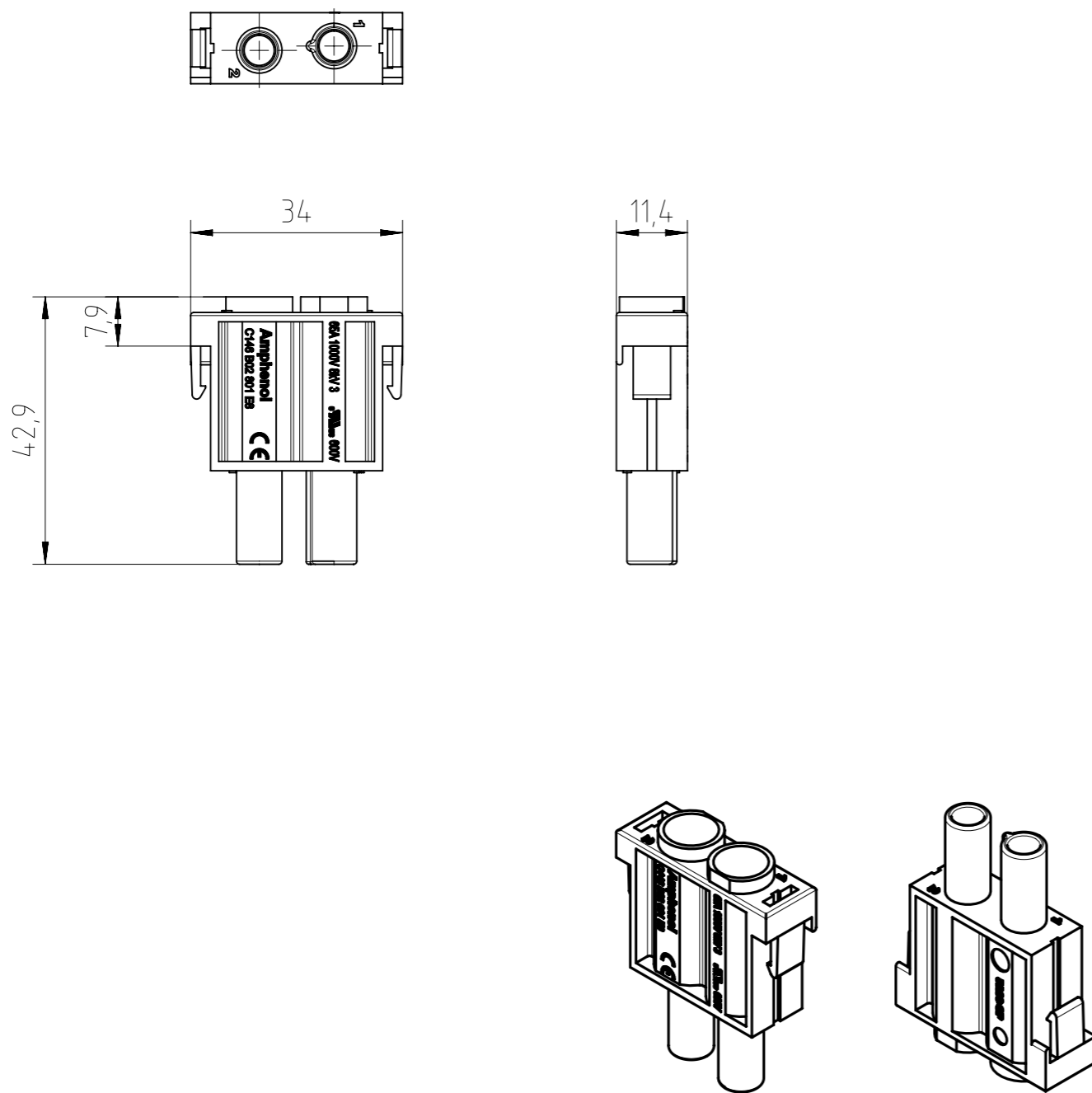


Find out more about our products on:
www.amphenol-industrial.de



Alle technischen Daten wurden unter Laborbedingungen ermittelt und können im Praxisbetrieb abweichen. Es handelt sich bei den Angaben weder um Beschaffenheits- noch um Haltbarkeitsgarantien. All technical data have been measured in a laboratory environment and can be different during practical usage of the product. Any product information is for descriptive usage only and not legally binding; particularly the information does not constitute or provide any legal guarantees ("Beschaffenheitsgarantie" or "Haltbarkeitsgarantie").

General Characteristics	Standard	Value
number of contacts		2
contacts termination technique		crimp
contacts type		machined contacts
contacts wire gauge		16 mm ² AWG 6
contacts max. cable diameter		∅ 8,6 mm
protection class	IEC 60529	IP20 (unmated)
		IP20 (mated)
approvals	UL 1977	ECBT2E63093
	CSA C22.2	ECBT8E63093
Electrical Characteristics	Standard	Value
rated voltage	IEC 60664-1	1000 V (UL/CSA: 600 V)
pollution degree	IEC 60664-1	3
rated impulse withstand voltage	IEC 60664-1	8 kV
rated current T _{amb} = 40 °C		65 A
current carrying capacity	IEC 60512-5-2	see derating curve
contact resistance	IEC 60512-2-1	≤ 5 mΩ
insulation resistance	IEC 60512-3-1	≥ 10 ¹⁰ Ω
Climatical Characteristics	Standard	Value
operating temperature	IEC 60068-1	-40 - +125°C
Mechanical Characteristics	Standard	Value
mechanical operation	IEC 60512-9-1	≥10000 mating cycles
Materials	Standard	Value
module material		PA-GF
module flammability	UL 94	V-0
module color		black

Gewicht (errechnet) / Calc WT: 8 g		Zul. Abw./Tolerances:		Maßstab / Scale: 1:1		A3			
Prüfmaß / Testdimension		ISO 2768-m		DIN / ISO 13715		CUSTOMER DRAWING			
Teileindex / Partindexnumber:									
Bagatelle change:						Buchsenmodul 2-Pol socket module 2 pole			
		Gez. 01.09.2017		PWÖLF					
		Drawn PWOELFFLE		Status Released					
		Gepr. 16.10.2023		MBERTSCH		M C146 B02 801 E8			
		Checked							
05	202300083	11.08.2023	PWÖLF	Amphenol Tuchel Industrial GmbH		Blatt / Sheet 1		1 Bl.	
04	202100141	06.04.2021	PWÖLF						
03	201700257	01.09.2017	PWÖLF						
Index	Änderung / Description	Datum / Date	Name	Ers. f. / Replacement for: M-C146 B02 801 E8 Rev.02					

Copying of this document and giving it to others and the use or communication of the contents thereof, are forbidden without express authority. Offenders are liable to the payment of damages. All rights are reserved in the event of the grant of a patent or the registration of the utility model or design.

Weitergabe sowie Vervielfältigung dieser Unterlage, Verwertung und Mitteilung ihres Inhalts nicht gestattet, soweit nicht ausdrücklich zugestanden. Zuwiderhandlungen verpflichten zu Schadensersatz. Alle Rechte für den Fall der Patenterteilung oder Gebrauchsmuster-Eintragung vorbehalten.

FAI2023-000799