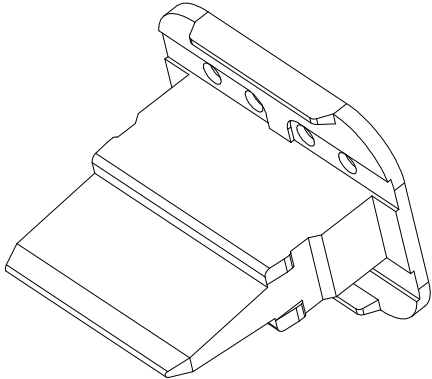
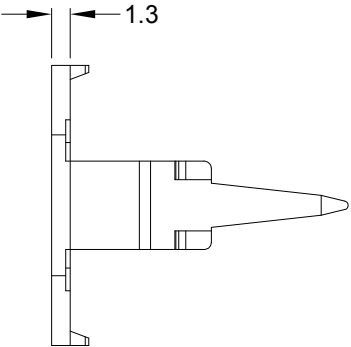
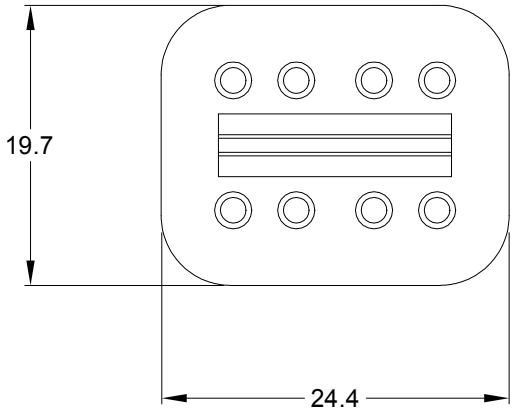
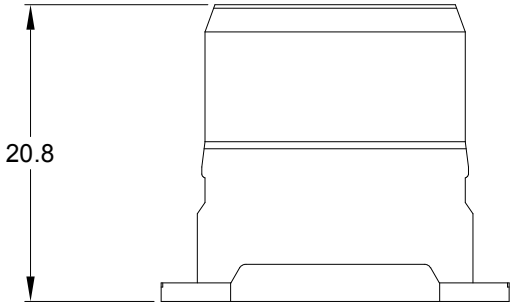


| REVISIONS | | | | | |
|-----------|-----|------------------------|-----------|-----|-------|
| REV | ECO | DESCRIPTION | DATE | BY | APPR |
| A3 | -- | RELEASE NEW DWG FORMAT | 18/SEP/13 | DRP | |
| A4 | -- | UPDATE DRAWING | 10/MAY/19 | JOE | TOMMY |



NOTES: UNLESS OTHERWISE SPECIFIED

- 1. MATERIAL: THERMOPLASTIC; COLOR: GREEN
- 2. RoHS COMPLIANT
- 3. CAVITIES: 8
- 4. KEYED: N/A
- 5. USE WITH CONNECTORS AT06-08S*
(* = MODIFICATIONS AND/OR COLORS)
- 6. ALL DIMENSIONS ARE FOR REFERENCE USE ONLY.

| QUANTITY | AW8S | PART NUMBER | DESCRIPTION | ITEM |
|--|------|--|--|---|
| MATERIALS LIST | | | | |
| UNLESS OTHERWISE SPECIFIED 1) All dimensions are in metric(mm). 2) Tolerances are as follows: 1 PL DEC ±0.30 2 PL DEC ±0.15 3 PL DEC ±0.08 Fractions ±1/64 Angles ±1° 3) Note reference = | | SIGNATURES DRAWN: JOE CHECKED: ORION ENGINEER: APPROVAL: TOMMY CUSTOMER: | DATE 10/MAY/19 10/MAY/19 10/MAY/19 | <h1>Amphenol</h1> <p>Sine Systems - www.amphenol-sine.com 44724 Morley Drive Clinton Township, MI 48036</p> |
| MATERIAL SPECIFICATIONS: | | S-WEDGELOCK, 8 POSITION, AT SERIES | | |
| PROCESS SPECIFICATIONS: | | THIS DRAWING IS SUPPLIED FOR INFORMATION ONLY. DESIGN FEATURES, SPECIFICATIONS AND PERFORMANCE DATA SHOWN HEREON ARE THE PROPERTY OF THE AMPHENOL CORPORATION. NO RIGHTS OF REPRODUCTION ARE IMPLIED. ALL DIMENSIONS ARE SUBJECT TO NORMAL MANUFACTURING VARIATIONS. | | |
| NEXT ASSY: | | SIZE A | TYPE C- | DWG NO: AW8S |
| | | SCALE: NONE | REVISION A4 | SHEET 1 OF 1 |