

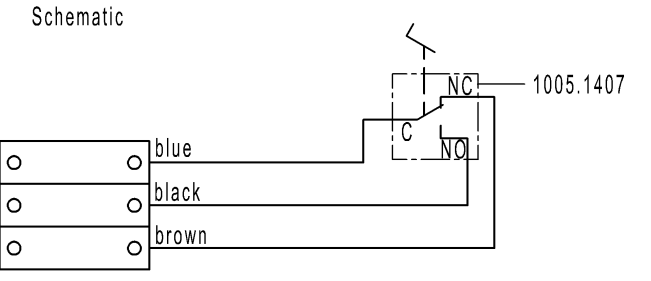
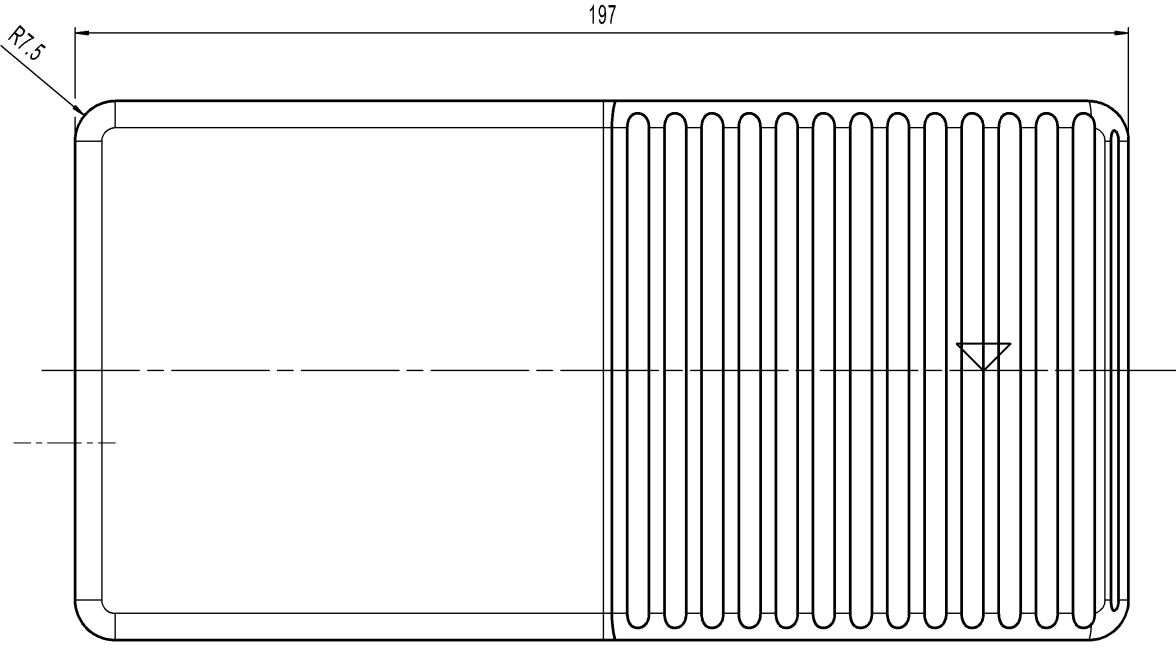
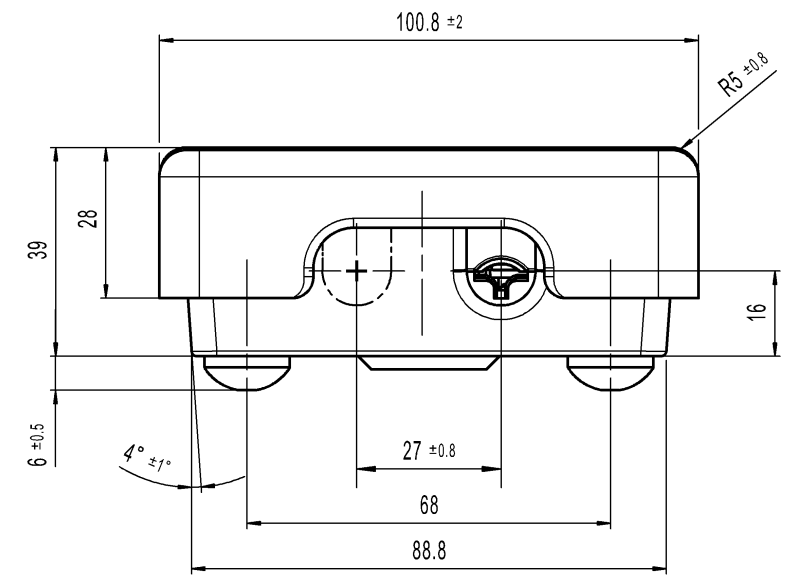
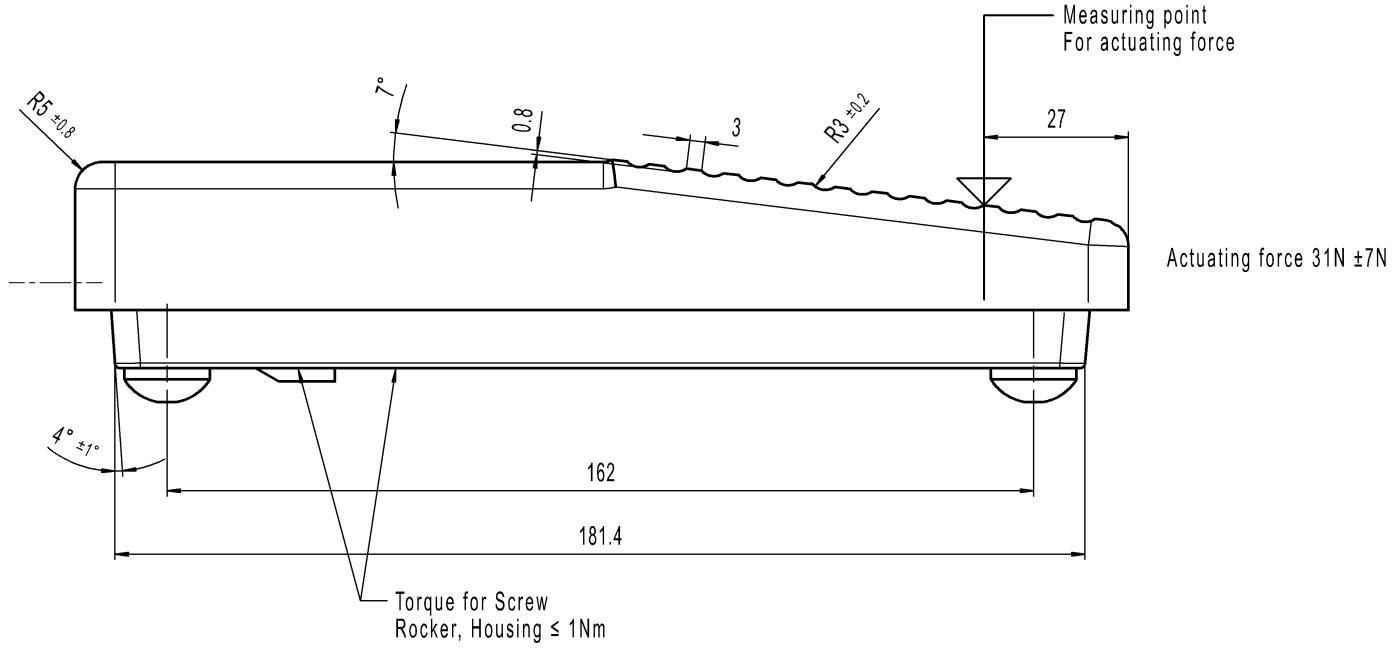
© THIS DRAWING IS THE EXCLUSIVE PROPERTY OF MARQUARDT. WITHOUT THEIR CONSENT, IT MAY NOT BE REPRODUCED OR GIVEN TO THIRD PARTIES.

CONFIDENTIAL

VERTRAULICH

Alle Rechte bei Marquardt, auch hier den Fall von Schutzrechtsverletzungen, alle Verfügungs-Bezugs-, wie Kopier- und Weitergaberecht, bei uns.

©

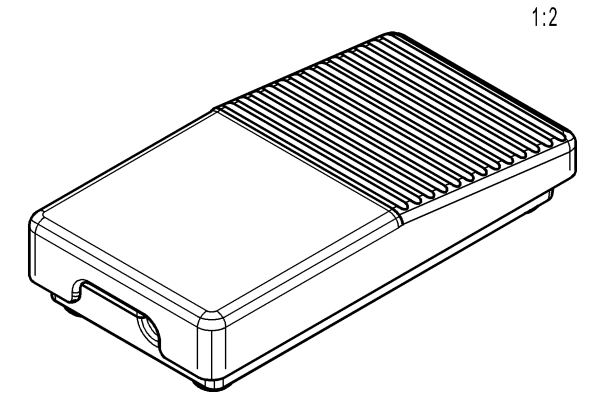


Single pole change-over

Marking

MARQUARDT
2410.0401 μ
6(2.5)/250~50E3

Schematic



-		-		2410.0401-XX	
Figure	Type			Customer Part No.	Art.No.-PI
Shape and location	Angle ± 2 °	Length		Sheet 01	Ident. K
	Edge tolerance	Radii		Projection A2	Document number 24100401
© ≡	0-6	+ 0.15	0-6	Scale 1:1	g
	>6-15	+ 1	>6-15	All dimensions are in millimetres	
	>15-30	+ 1	>15-30	System NX V1872	
	>30-70	+ 1.5	>30-200	Replacement of	
	>70-120	+ 1.5		Zg.gl.Nr.v.26.04.1994	
	>120-200	+ 1.5			
g	137878	2022-02-01	KELBOUSSIM		
f	131778	2020-11-09	THAKARES		
e	41282	2004-10-13	BZ		
d	30220	2000-09-28	PFU		
Index	MEC-No.	Date (YYYY-MM-DD)	Edited by		

