

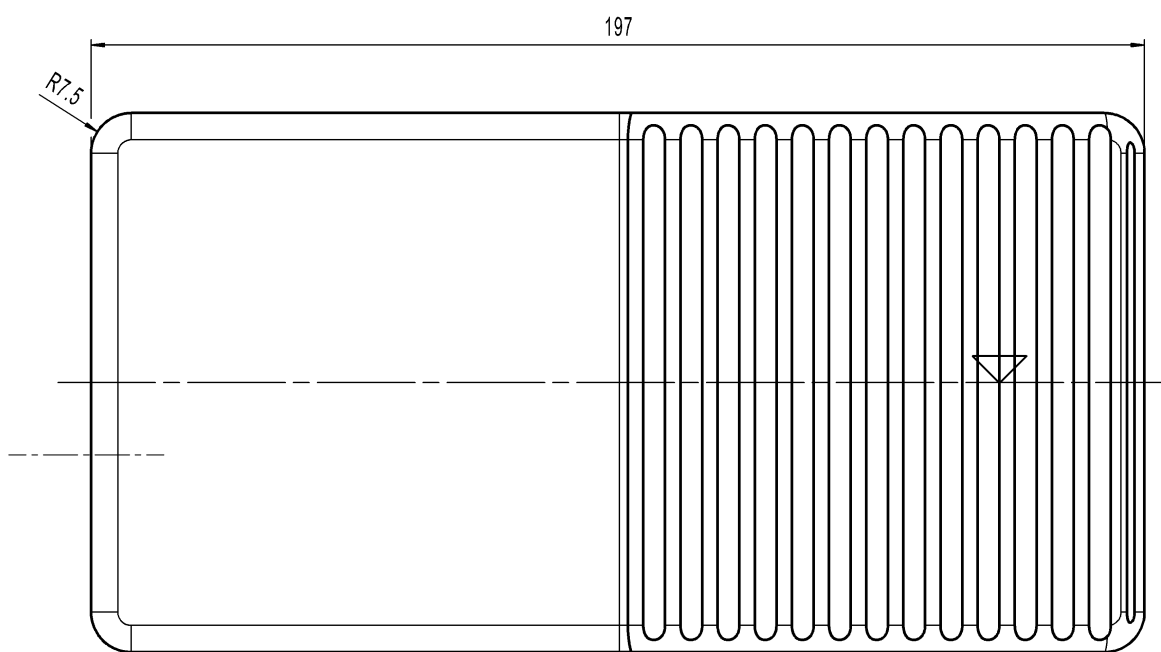
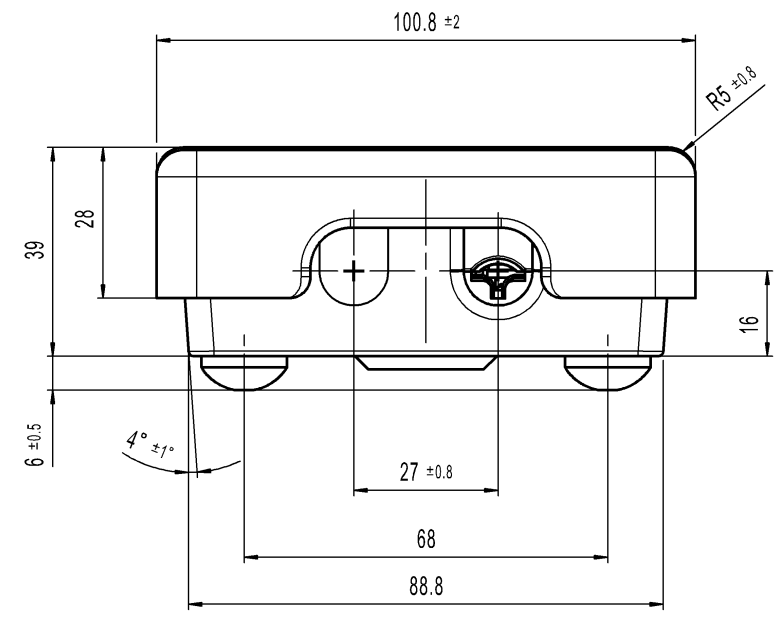
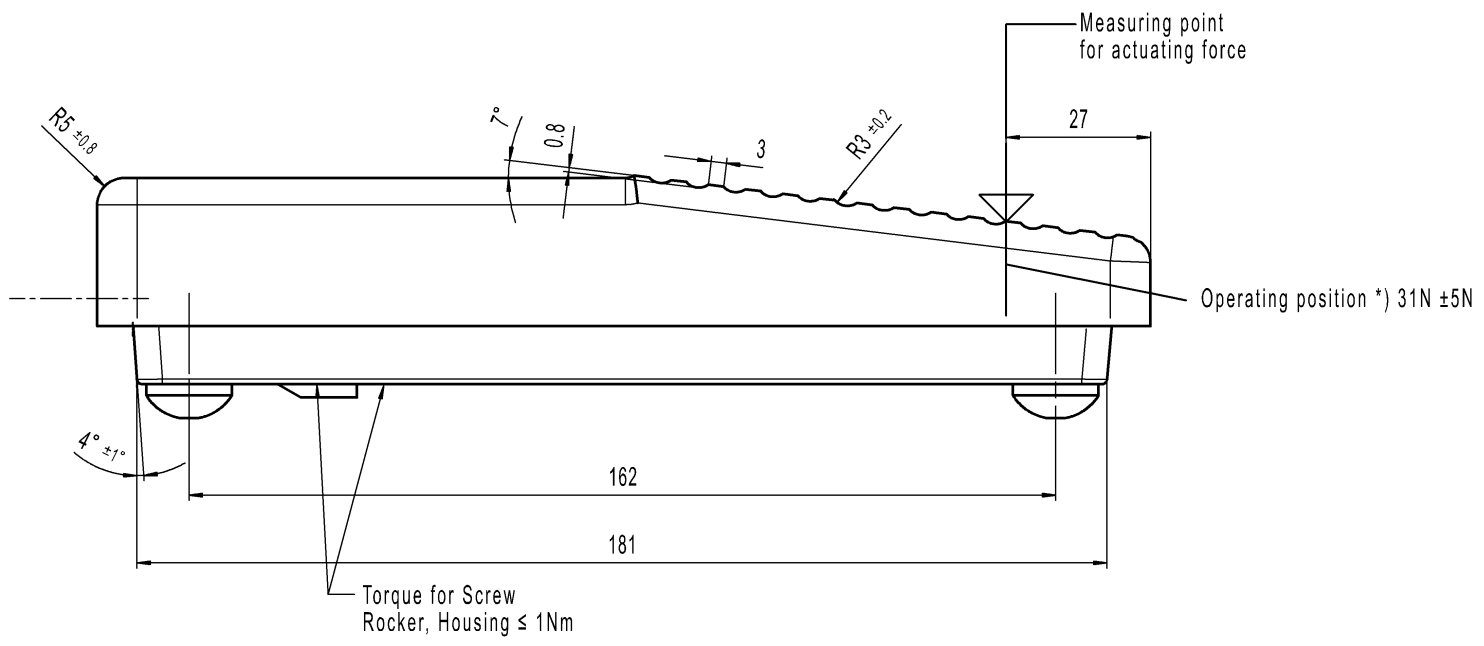
© THIS DRAWING IS THE EXCLUSIVE PROPERTY OF MARQUARDT. WITHOUT THEIR CONSENT, IT MAY NOT BE REPRODUCED OR GIVEN TO THIRD PARTIES.

CONFIDENTIAL

VERTRAULICH

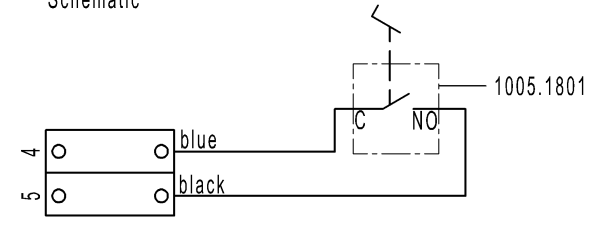
Alle Rechte bei Marquardt, auch hier den Fall von Schutzrechtsverletzungen, liegt Verleugungs-Belangen, wie Kopier- und Weitergaberecht, bei uns.

©



Upper part and bottom part:
Material: Polyamide
Color: black, similar RAL 9011

Schematic

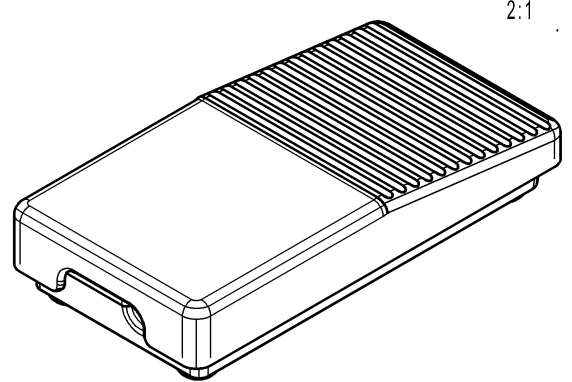


Single pole normally open

Marking

© MARQUARDT
2410.0301 μ
6(2.5)/250~50E3

Schematic



Operating position at the travel of (measured at start position) ~ 8 mm measured at outer edge of upper part

-		-		-		2410.0301-XX	
Figure		Type		Customer Part No.		Art.No.-PI	
Shape and location	Angle ± 2°	0-6	+ 0.15	6-6	±	Sheet	01
	Edge tolerance	>6-15	+ 1	>6-15	±	Ident.	K
© ≡		>15-30	+ 1	>15-30	±	Document number	24100301
		>30-70	+ 1.5	>30-200	±	Index	h
		>70-120	+ 1.5			Foot Pressure Switch	
		>120-200	+ 1.5			All dimensions are in millimetres	
h	137878	2022-02-01		KELBOUSSIM		Replacement of	
g	131778	2020-11-09		THAKARES	System	NX V1872	
f	30220	2000-09-28		PFU	MARQUARDT		
e	23889	1996-05-08		MOO			
Index	MEC-No.	Date (YYYY-MM-DD)		Edited by	Zg.gl.Nr.v.23.07.1987		