

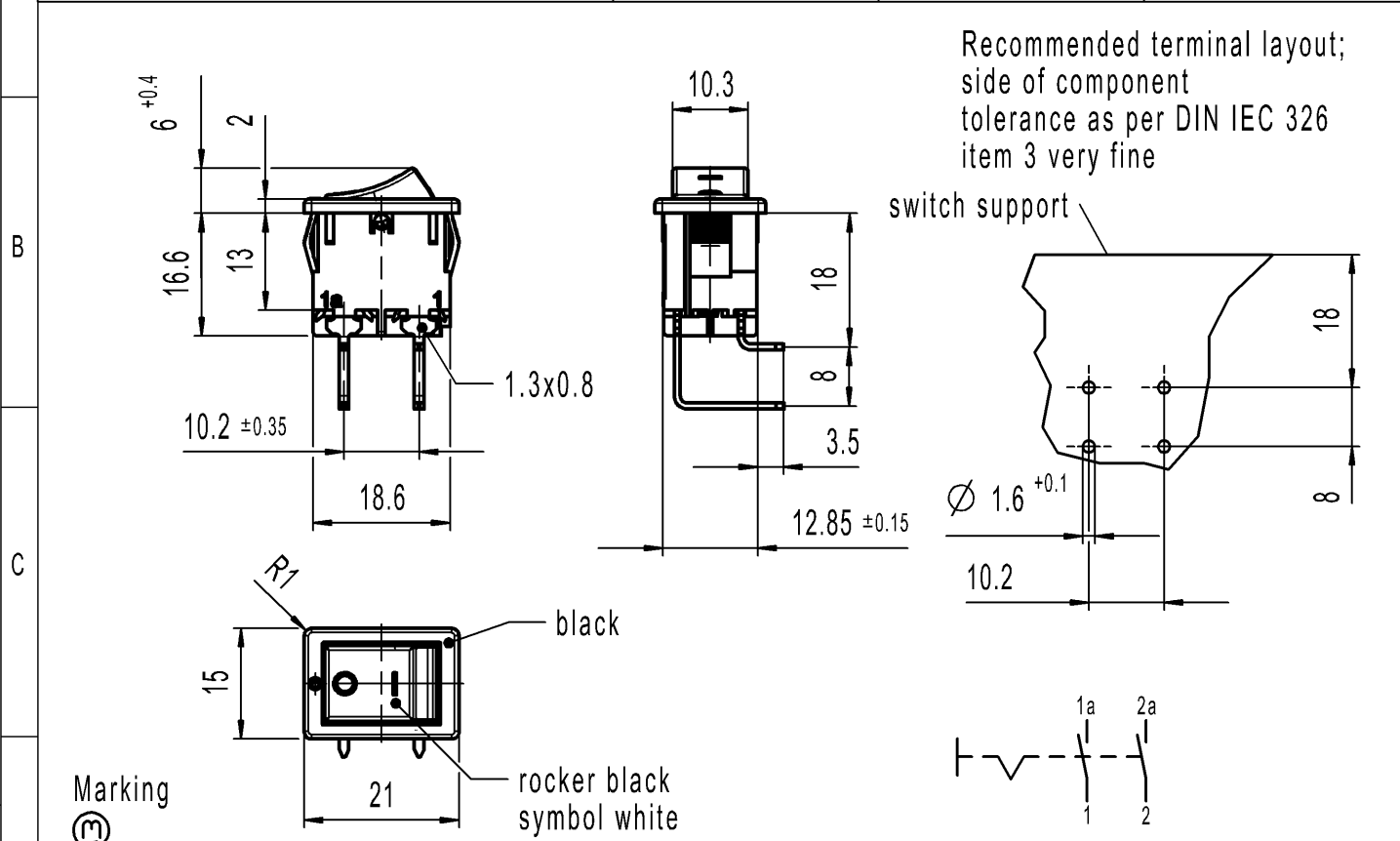
THIS DRAWING IS THE EXCLUSIVE PROPERTY OF MARQUARDT. WITHOUT THEIR CONSENT IT MAY NOT BE REPRODUCED OR GIVEN TO THIRD PARTIES.

CONFIDENTIAL

VERTRAULICH

Alle Rechte bei Marquardt, auch fuer den Fall von Schutzrechtsanmeldungen. Jede Veruegungsbefugnis, wie Kopier- und Weitergaberecht, bei uns.

A	recommended cut-out for snap-in fixing (edge opposite to snap-in direction)	1	2	3	4
		wall thickness	length of cut-out	width of cut-out	
		0.75 to 1.25	19.2 -0.1	12.9+0.1	
		1.25 to 2	19.4 -0.1	12.9+0.1	
		2 to 3	19.8 -0.1	12.9+0.1	



Recommended terminal layout;
side of component
tolerance as per DIN IEC 326
item 3 very fine

Marking

1858.
6(4)/250~5E4 T100/55
10(4)/250 ~
5/100A 250V ~

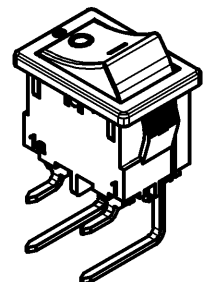


12A 125-250V AC
1/3 HP 125V AC
1/2 HP 250V AC
R138

Code of manufacture: place/year/week

On box: G

DPST
Suitable for appliance of class II
Protected according to DIN 40 050, IP40
G= matching IEC 60335-1:2001 clause 30



-	-	-	1858.4205-XX
Figure	Type	Customer Part No.	Art.No.-PI
Shape and location	Angle ± 2 °	Sheet 01	Ident. K
	Edge tolerance	Format DIN A4	Document number 18584205
	Length	Projection	Index k
	Radii	Scale 1:1	Appliance Switch
		All dimensions are in millimetres	
k	141198	2022-01-14	
j	47886	2006-06-23	
i	44266	2005-08-02	
h	42861	2005-03-29	
Index	MEC-No.	Date (YYYY-MM-DD)	Edited by
		System NX V1872	Replacement of
		Zg.gl.Nr.v.13.02.1995	