

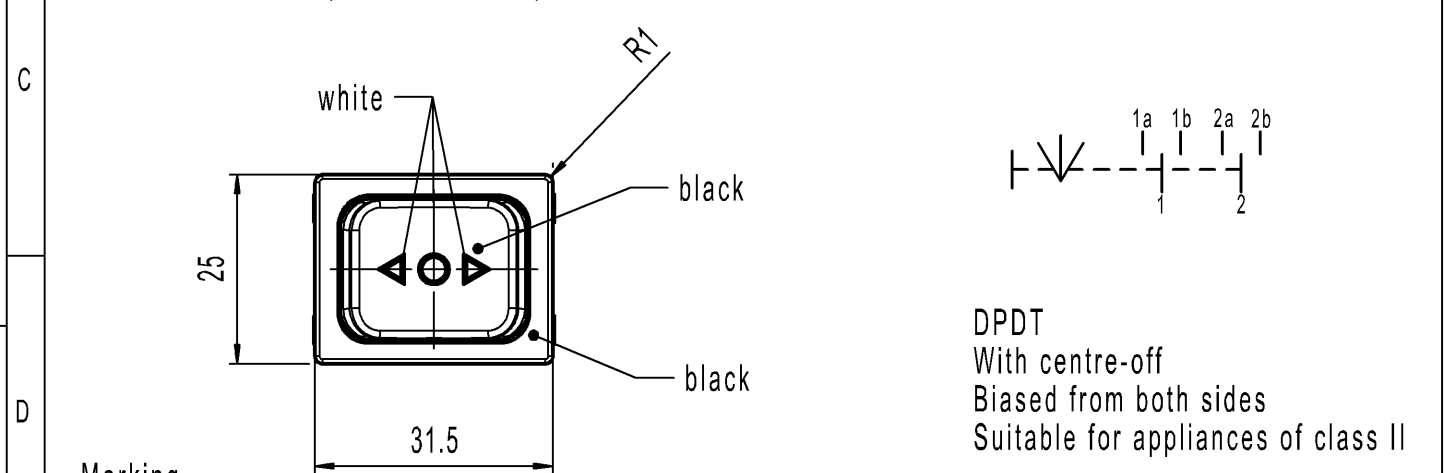
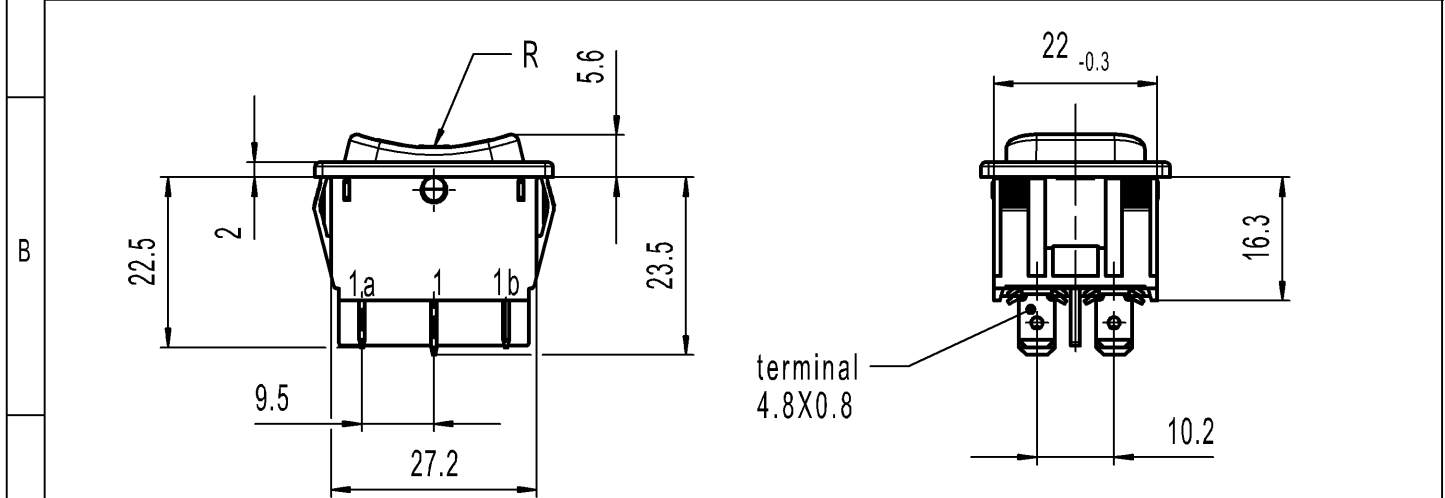
CONFIDENTIAL

VERTRAULICH

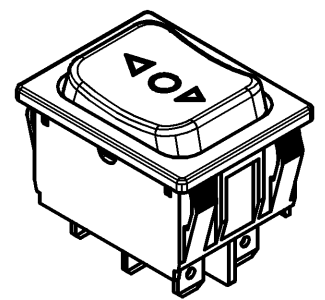
© THIS DRAWING IS THE EXCLUSIVE PROPERTY OF MARQUARDT. WITHOUT THEIR CONSENT IT MAY NOT BE REPRODUCED OR GIVEN TO THIRD PARTIES.

Alle Rechte bei Marquardt, auch fuer den Fall von Schutzrechtsanmeldungen. Jede Veruegungsbefugnis, wie Kopier- und Weitergaberecht, bei uns.

A	recommended cut-out for snap-in fixing (edge opposite to snap-in direction)	1	2	3	4
			wall thickness	length of cut-out	width of cut-out
			0.75 to 1.25	30 -0.1	22+0.2
			1.25 to 2	30.2 -0.1	22+0.2
		2 to 3	30.6 -0.1	22+0.2	



DPDT
With centre-off
Biased from both sides
Suitable for appliances of class II



Marking

1839.
6(4)/250~T105/55



6A 125-250V AC
1/8 HP
R58

Code of manufacture: place/year/week

-		-		-		1839.1407-XX	
Figure		Type		Customer Part No.		Art.No.-PI	
Shape and location	Angle $\pm 2^\circ$	Length		Radii		Sheet	01
	Edge tolerance	0-6	± 0.2	\pm	± 0.2	Ident.	K
		>6-15	± 0.4	\pm	\pm	Document number	18391407
		>15-30	± 0.4	\pm	\pm	Index	i
		>30-70	± 0.6	\pm	\pm	Appliance Switch	
			\pm	\pm	\pm		
i	141196	2022-09-28	MOHITEN		All dimensions are in millimetres		 MARQUARDT
h	64508	2009-08-20	HHE		Format	A4	
g	29987	2001-08-08	GRH		Projection		
f	24370	1996-11-22	GRH		Scale	1:1	
Index	MEC-No.	Date (YYYY-MM-DD)	Edited by		System		NX V1899
				Replacement of		Zg.gl.Nr.v.22.11.1996	