

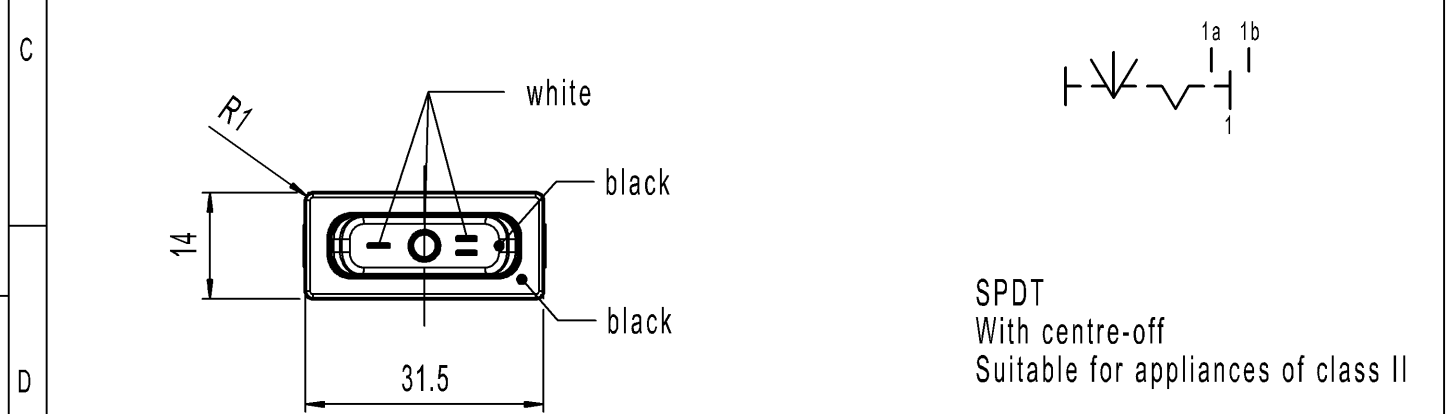
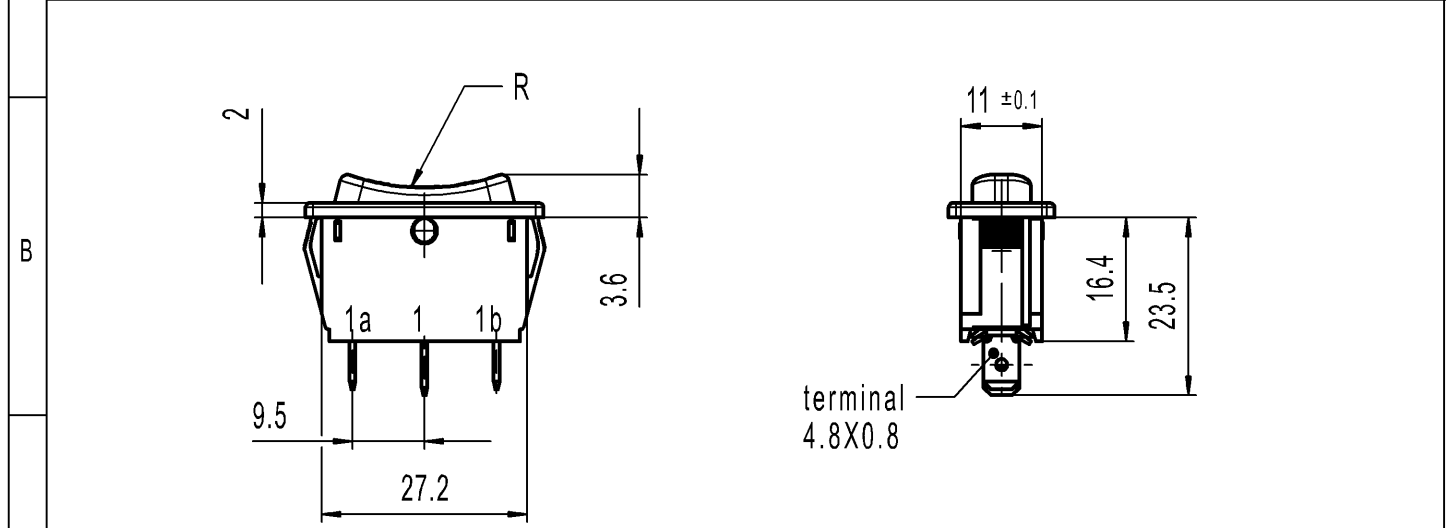
CONFIDENTIAL

VERTRAULICH

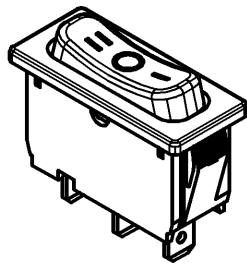
THIS DRAWING IS THE EXCLUSIVE PROPERTY OF MARQUARDT. WITHOUT THEIR CONSENT IT MAY NOT BE REPRODUCED OR GIVEN TO THIRD PARTIES.

Alle Rechte bei Marquardt, auch fuer den Fall von Schutzrechtsanmeldungen. Jede Verfertigungsbefugnis, wie Kopier- und Weitergaberecht, bei uns.

A	recommended cut-out for snap-in fixing (edge opposite to snap-in direction)	1	2	3	4
			wall thickness	length of cut-out	width of cut-out
			0.75 to 1.25	30 -0.1	11+0.1
			1.25 to 2	30.2 -0.1	11+0.1
		2 to 3	30.6 -0.1	11+0.1	



SPDT
With centre-off
Suitable for appliances of class II



Marking

Ⓜ
1838.
6(4)/250~T105/55



6A 125-250V AC
1/8 HP
R58

Code of manufacture: place/year/week

-	-	-	1838.1509-XX				
Figure	Type	Customer Part No.	Art.No.-PI				
Shape and location	Angle ± 2°	Sheet 01	Ident. K				
	Edge tolerance	Format DIN A4	Document number 18381509				
Ⓜ		Projection	Index g				
		Scale 1:1	Appliance Switch				
g	141194	2022-10-06		MOHITEN	All dimensions are in millimetres	System NX V1899	MARQUARDT
f	29986	2000-08-16	GRH				
e	29631	2000-06-27	GRH	Replacement of	Zg.gl.Nr.v.19.05.1983		
d	17418	1986-08-12	PA				
Index	MEC-No.	Date (YYYY-MM-DD)	Edited by				