

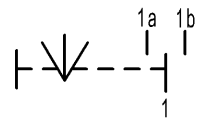
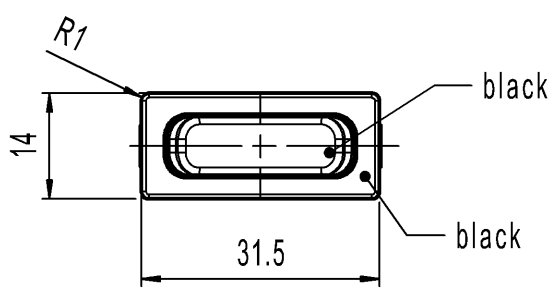
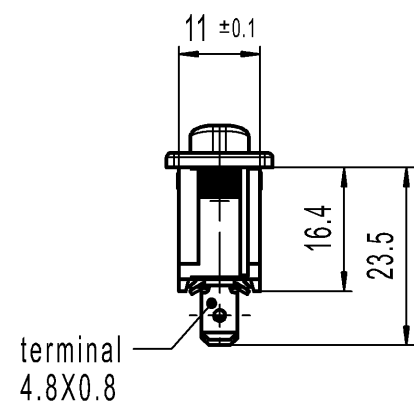
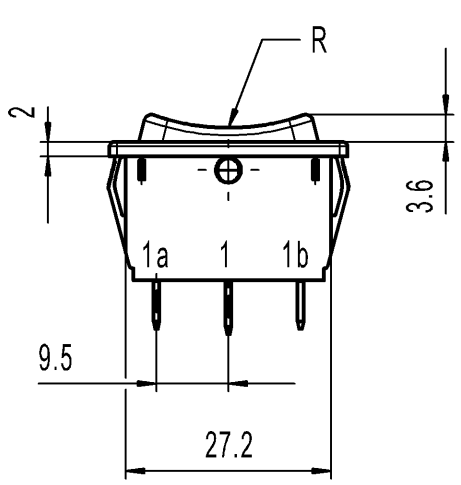
CONFIDENTIAL

VERTRAULICH


Alle Rechte bei Marquardt, auch fuer den Fall von Schutzrechtsanmeldungen. Jede Veruegungsbefugnis, wie Kopier- und Weitergaberecht, bei uns.


THIS DRAWING IS THE EXCLUSIVE PROPERTY OF MARQUARDT. WITHOUT THEIR CONSENT IT MAY NOT BE REPRODUCED OR GIVEN TO THIRD PARTIES.

A	recommended cut-out for snap-in fixing (edge opposite to snap-in direction)	1	2	3	4
			wall thickness	length of cut-out	width of cut-out
			0.75 to 1.25	30 -0.1	11+0.1
			1.25 to 2	30.2 -0.1	11+0.1
		2 to 3	30.6 -0.1	11+0.1	

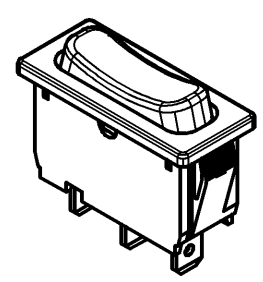


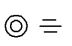
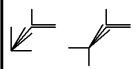

SPDT  
With centre-off  
Biased from both sides  
Suitable for appliances of class II

Marking  
  
 1838.  
 6(4)/250~T105/55

6A 125-250V AC  
 1/8 HP  
 R58 

Code of manufacture: place/year/week



-		-		-		1838.1402-XX	
Figure		Type		Customer Part No.		Art.No.-PI	
Shape and location	Angle ± 2 °	Length		Radii		Sheet	01
	Edge tolerance	0-6	± 0.2	±	±	Ident.	K
 		>6-15	± 0.4	±	±	Document number	18381402
		>15-30	± 0.4	±	±	Index	f
		>30-70	± 0.4	±	±	Appliance Switch	
		±	±	±	±		
		±	±	±	±		
f	141194	2022-05-02		JOSHIO		All dimensions are in millimetres  System NX V1899  Replacement of Zg.gl.Nr.v.14.07.1983	
e	29986	2000-08-16		GRH			
d	29631	2000-06-27		GRH			
c	17418	1986-08-12		RA		 <b>MARQUARDT</b>	
Index	MEC-No.	Date (YYYY-MM-DD)		Edited by			