

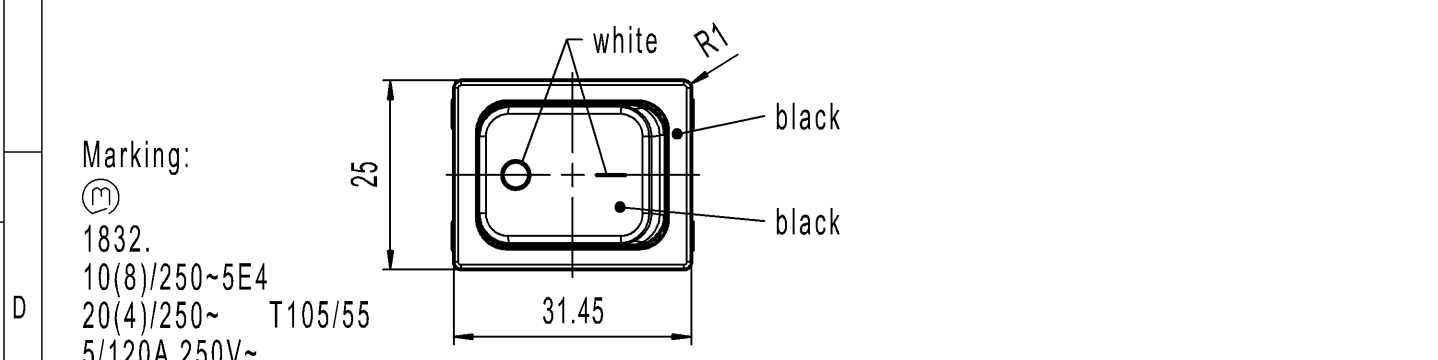
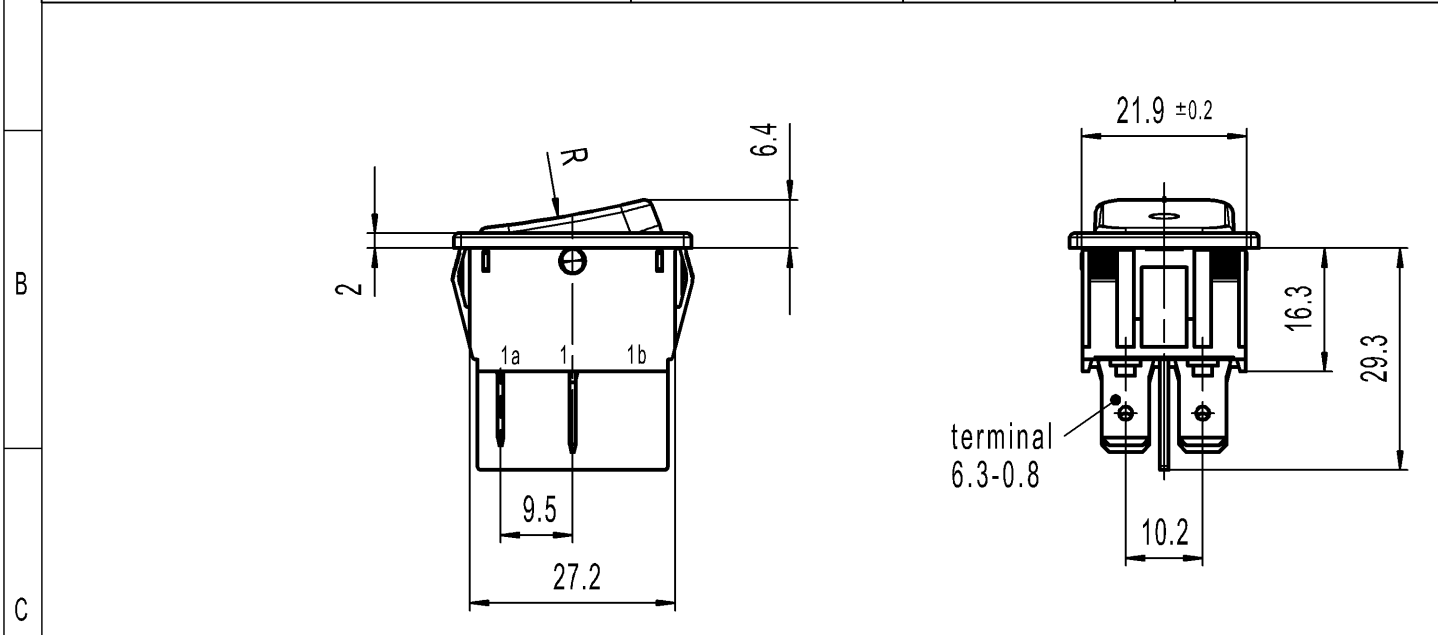
CONFIDENTIAL

VERTRAULICH

THIS DRAWING IS THE EXCLUSIVE PROPERTY OF MARQUARDT. WITHOUT THEIR CONSENT IT MAY NOT BE REPRODUCED OR GIVEN TO THIRD PARTIES.

Alle Rechte bei Marquardt, auch fuer den Fall von Schutzrechtsanmeldungen. Jede Verfertigungsbezugnis, wie Kopier- und Weitergaberecht, bei uns.

A	1	2	3	4	
	recommended cut-out for snap-in fixing (edge opposite to snap-in direction)		wall thickness	length of cut-out	width of cut-out
			0.75 to 1.25 1.25 to 2 2 to 3	30.0 -0.1 30.2 -0.1 30.6 -0.1	22 +0.2 22 +0.2 22 +0.2



16A 125-250V AC
 1/3HP 125V AC
 1HP 250V AC
 R11

DPST
 Suitable for appliances of class II

Code of manufacture: place/year/week
 On box: Customer Part No. see variant table
 G

G=matching IEC 60335-1:2001 clause 30

-		-		0021235		1832.3313-XX			
Figure		Type		Customer Part No.		Art.No.-PI			
Shape and location	Angle ± 2°	Length		Radii		Sheet 01	Ident. K	Document number 18323313	Index d
	Edge tolerance	0-6 ± 0.2	±	0-6 ± 0.2	± 0.2				
⊙ ≡		>6-30 ± 0.4	±	>6-30 ± 0.4	± 0.4	All dimensions are in millimetres	Appliance Switch		
		>30-70 ± 0.6	±	>30-200 ± 10%	± 10%				
d	138977	2021-10-19		MATHPATIR		System NX V1872	 MARQUARDT		
c	64507	2009-11-11		HHE					
b	47885	2006-06-13		HHE		Replacement of Zg.gl.Nr.v.12.03.2004			
a	44982	2005-10-12		vor					
Index	MEC-No.	Date (YYYY-MM-DD)		Edited by					